



MAX32660 USER GUIDE

User Guide

Preliminary

Maxim Integrated

support@maximintegrated.com

Table of Contents

1	Overview.....	1
2	Memory, Register Mapping, and Access	2
2.1	Overview.....	2
2.2	Standard Memory Regions	3
2.2.1	Code Space.....	3
2.2.2	SRAM Space.....	4
2.2.3	Peripheral Space.....	4
2.2.4	External RAM Space.....	5
2.2.5	External Device Space.....	5
2.2.6	System Area (Private Peripheral Bus).....	5
2.2.7	System Area (Vendor Defined)	5
2.3	Device Memory Instances	6
2.3.1	Main Program Flash Memory	6
2.3.2	Instruction Cache Memory.....	6
2.3.3	Information Block Flash Memory.....	6
2.3.4	System SRAM.....	6
2.3.5	AHB Bus Matrix and AHB Bus Interfaces.....	6
2.3.6	Core AHB Interface.....	6
2.3.7	AHB Master	7
2.4	Peripheral Register Map	7
3	System Clocks, Reset, and Power Management.....	8
3.1	Core Operating Voltage Range Selection	8
3.1.1	Single Supply Operation.....	8
3.1.2	If the MAX32660 is powered by a single supply connected via V_{DD} , the operating voltage range can easily be changed on the fly by the application firmware. Changing the OVR in single supply mode changes the output of the internal LDO regulator to the V_{CORE} Typical values as shown in Table 3-1. It is recommended to set the flash wait state value to 4 prior to changing the OVR for the device to ensure access to the internal flash memory during and immediately after the OVR change takes effect. Once complete, the flash wait states can be set to the minimum value for the selected OVR settings as shown in Table 3-2. Details of the Setting the Operating Voltage Range.....	8
3.1.3	Dual Supply Operation.....	9
3.1.4	Setting the Operating Voltage Range.....	9
3.1.5	Flash Wait States	9
3.2	System Clocks	10
3.3	Oscillator Sources and Clock Switching.....	11
3.3.1	High-Frequency Internal Oscillator.....	11
3.3.2	32.768kHz External Crystal Oscillator.....	12
3.3.3	8kHz Ultra-Low Power Nano-Ring Internal Oscillator	12
3.4	System Oscillators Reset.....	12
3.5	Operating Modes.....	12
3.5.1	ACTIVE Mode	13
3.5.2	SLEEP Low Power Mode.....	13
3.5.3	DEEPSLEEP Low Power Mode.....	13
3.5.4	BACKUP Low Power Mode.....	14
3.6	Shutdown State.....	14
3.7	Device Resets	14

3.7.1	Peripheral Reset.....	14
3.7.2	Soft Reset.....	14
3.7.3	System Reset.....	15
3.7.4	Power-On Reset.....	15
3.8	Instruction Cache Controller.....	16
3.8.1	Enabling ICC0.....	16
3.8.2	Disabling ICC0.....	16
3.8.3	Flushing the ICC0 Cache.....	16
3.9	Instruction Cache Controller Registers.....	16
3.10	RAM Memory Management.....	18
3.10.1	On-Chip Cache Management.....	18
3.10.2	RAM Zeroization.....	18
3.10.3	RAM Low Power Modes.....	18
3.11	Global Control Registers (GCR).....	18
3.12	System Initialization Registers.....	29
3.13	Function Control Registers.....	30
3.14	Power Supply Monitoring.....	30
3.15	Power Sequencer Registers.....	31
4	Flash Controller.....	35
4.1	Overview.....	35
4.2	Usage.....	35
4.2.1	Clock Configuration.....	35
4.2.2	Lock Protection.....	36
4.2.3	Flash Write Width.....	36
4.2.4	Flash Write.....	36
4.2.5	Page Erase.....	37
4.2.6	Mass Erase.....	37
4.3	Flash Controller Registers.....	37
5	General-Purpose I/O and Alternate Function Pins.....	42
5.1	General Description.....	42
5.2	Power-On-Reset Configuration.....	44
5.2.1	I/O Mode and Alternate Function Selection.....	44
5.2.2	Input mode configuration.....	44
5.2.3	Output Mode Configuration.....	45
5.2.4	GPIO Drive Strength.....	45
5.3	Alternate Function Configuration.....	45
5.4	Configuring GPIO (External) Interrupts.....	46
5.4.1	Interrupts.....	46
5.4.2	Using GPIO for Wakeup from Low Power Modes.....	46
5.5	GPIO Registers.....	47
5.6	GPIO Port 0 Register Details.....	47
6	DMA Controller.....	56
6.1	DMA channel operation.....	56
6.2	DMA Channel Arbitration and DMA Bursts.....	57
6.3	DMA Source and Destination Addressing.....	57
6.4	Data Movement from Source to DMA FIFO.....	58

6.5	Data Movement from the DMA FIFO to Destination.....	58
6.6	Count-To-Zero Condition	59
6.7	Chaining Buffers.....	59
6.8	DMA Interrupts.....	60
6.9	Channel Time-outs.....	60
6.10	10-bit Timer.....	60
6.11	Channel and Register Access Restrictions.....	61
6.12	Memory-to-Memory DMA.....	61
6.13	Standard DMA Registers.....	61
6.13.1	DMA Control Registers	61
6.13.2	DMA Control Register Details.....	62
6.14	Standard DMA Channel Registers.....	62
6.14.1	Standard DMA Channel Register Address Offsets for DMA Channel 0 to 15.....	62
6.14.2	DMA Channel Register Details	63
7	UART	68
7.1	UART Frame Characters.....	68
7.2	UART Interrupts.....	69
7.3	UART Bit Rate Calculation	69
7.3.1	Example Baud Rate Calculation:.....	69
7.4	UART DMA Using the TX and RX FIFOs	70
7.4.1	RX FIFO DMA Operation	70
7.4.2	TX FIFO DMA Operation	70
7.5	Flushing the UART FIFOs	71
7.6	Hardware Flow Control.....	71
7.7	UART Registers.....	71
8	Real-Time Clock (RTC).....	79
8.1	Overview.....	79
8.2	RTC Alarm Functions	80
8.2.1	Time-of-Day Alarm	81
8.2.2	Sub-Second Alarm	81
8.2.3	RTC Wakeup From DEEPSLEEP/BACKUP Power Modes	81
8.3	RTC Register Access.....	81
8.3.1	RTC Register Write Protection.....	81
8.3.2	RTC Register Read Protection.....	82
8.3.3	RTC Count Register Access	82
8.3.4	RTC Alarm Register Access	82
8.3.5	RTC Trim Register Access.....	82
8.3.6	RTC Oscillator Control Register Access.....	82
8.4	RTC Output Pin	83
8.5	RTC Calibration.....	83
8.6	RTC Registers	83
8.6.1	RTC Register Details.....	83
9	Timers	87
9.1	Features.....	87
9.2	Basic Operation.....	87
9.3	Timer Pin Functionality.....	88

9.4	One-Shot Mode (000b).....	88
9.4.1	Timer Period	89
9.4.2	Configuration.....	90
9.5	Continuous Mode (001b).....	90
9.5.1	Timer Period	91
9.5.2	Configuration.....	92
9.6	Counter Mode (010b).....	92
9.6.1	Timer Period	93
9.6.2	Configuration.....	93
9.7	PWM Mode (011b)	94
9.7.1	Timer Period	94
9.7.2	PWM Mode Configuration.....	94
9.8	Capture Mode (100b).....	95
9.8.1	Timer Period	96
9.8.2	Configuration.....	96
9.9	Compare Mode (101b).....	96
9.9.1	Timer Period	97
9.9.2	Configuration.....	98
9.10	Gated Mode (110b).....	99
9.10.1	Timer Period	100
9.10.2	Configuration.....	100
9.11	Capture/Compare Mode (111b).....	100
9.11.1	Timer Period	100
9.11.2	Configuration.....	101
9.12	Timer Registers.....	101
9.13	Timer Register Details.....	101
10	Watchdog Timer (WDT).....	105
10.1	Features.....	105
10.2	Usage.....	106
10.3	Interrupt and Reset Period Timeout Configuration.....	106
10.4	Enabling the Watchdog Timer	107
10.4.1	Enable sequence.....	107
10.5	Disabling the Watchdog Timer.....	107
10.5.1	Manual Disable.....	107
10.5.2	Automatic Disable	107
10.6	Resetting the Watchdog Timer	107
10.6.1	Reset Sequence.....	107
10.7	Detection of a Watchdog Reset Event.....	107
10.8	Watchdog Timer Registers.....	108
11	I ² C Master/Slave Serial Controller	110
11.1	I ² C Master/Slave Features.....	110
11.2	I ² C Bus Speeds.....	110
11.3	I ² C Transfer Protocol Operation.....	110
11.4	START and STOP Conditions.....	111
11.5	I ² C Master/Slave Overview	111

11.6	Slave Addressing	111
11.7	Acknowledge and Not Acknowledge.....	111
11.8	Bit Transfer Process.....	112
11.9	SCL and SDA Bus Drivers.....	112
11.9.1	I ² C Interrupt Sources.....	113
11.9.2	SCL Clock Configurations.....	113
11.9.3	Clock Synchronization	113
11.9.4	Transmit and Receive FIFOs.....	114
11.10	Clock Stretching.....	114
11.11	I ² C Bus Timeout	115
11.12	I ² C Addressing.....	115
11.13	I ² C TX FIFO and RX FIFO Management	116
11.13.1	Transmit Lockout	117
11.14	Interactive Receive Mode.....	117
11.15	I ² C DMA Control	118
11.15.1	I ² C Transmit DMA Burst Size	118
11.15.2	I ² C Receive DMA Burst Size.....	118
11.16	I ² C Master Mode Transmit Operation.....	118
11.17	I ² C Master Mode Transmit Bus Arbitration.....	119
11.18	SCL Clock Generation.....	120
11.19	TX FIFO Preloading.....	120
11.20	Master Mode Receiver Operation	121
11.21	I ² C Registers.....	121
12	Serial Peripheral Interface 0 (SPI0).....	134
12.1	SPI Port 0.....	134
12.2	Configuration.....	135
12.2.1	FIFOs.....	136
12.2.2	Interrupts and Wakeups.....	136
12.3	Timing Diagrams	137
12.3.1	SPI Mode 0.....	137
12.3.2	SPI Mode 1.....	137
12.3.3	SPI Mode 2.....	138
12.3.4	SPI Mode 3.....	139
12.4	SPI0 Registers.....	139
13	SPIMSS.....	148
13.1	Overview.....	148
13.1.1	Features.....	148
13.2	Operation.....	150
13.3	SPI Signals.....	150
13.3.1	Master-In, Slave-Out.....	150
13.3.2	Master-Out, Slave-In.....	150
13.3.3	Serial Clock.....	150
13.3.4	Slave Select	151
13.4	SPI Clock Phase and Polarity Control.....	151
13.4.1	Transfer Format for Phase 0	152
13.4.2	Transfer Format for Phase 1	152

13.5	Data Movement.....	153
13.6	Configuration for Master, Slave and Multi-Master Modes.....	154
13.6.1	Single Master Operation.....	154
13.6.2	Multi-Master Operation.....	155
13.7	Slave Operation.....	155
13.8	I ² S (Inter-IC Sound) Mode.....	155
13.8.1	Mute.....	156
13.8.2	Pause.....	156
13.8.3	Mono.....	156
13.8.4	Left Justify.....	156
13.9	Error Detection.....	157
13.9.1	Transmit Overrun.....	157
13.9.2	Mode Fault (Multi-Master Collision).....	158
13.9.3	Slave Mode Abort.....	158
13.9.4	Receive Overrun.....	158
13.10	SPI Interrupts.....	158
13.10.1	Data Interrupt.....	158
13.10.2	Forced Interrupt.....	158
13.10.3	Error Condition Interrupt.....	158
13.10.4	Bit Rate Generator Time-out Interrupt.....	159
13.11	SPI Bit Rate Generator.....	159
13.11.1	Slave Mode.....	159
13.11.2	Master Mode.....	159
13.11.3	Timer Mode.....	159
13.12	SPIMSS Registers.....	159
13.13	SPIMSS Register Details.....	160
14	Revision History.....	166

Table of Figures

Figure 1-1: MAX32660 High Level Block Diagram.....	1
Figure 2-1: Code Memory Mapping.....	2
Figure 2-2: Data Memory Map.....	3
Figure 3-1: Clock Tree Diagram.....	10
Figure 6-1: DMAC Block Diagram.....	56
Figure 8-1: RTC Block Diagram.....	80
Figure 9-1: One-Shot Mode Diagram.....	89
Figure 9-2: Continuous Mode Diagram.....	91
Figure 9-3: Counter Mode Diagram.....	93
Figure 9-4: Capture Mode Diagram.....	95
Figure 9-5: Counter Mode Diagram.....	97
Figure 9-6: Gated Mode Diagram.....	99
Figure 10-1: Watchdog Timer Block Diagram.....	105
Figure 11-1: I2C Write Data Transfer.....	112
Figure 11-2: I ² C Specification Minimum and Maximum Clock Parameters.....	113
Figure 11-3: I ² C Clock Period.....	120
Figure 12-1: SPI Modes of Operation.....	134
Figure 12-2: SPI Mode 0, Four-Wire Communication.....	137
Figure 12-3: SPI Mode 0, Three-Wire Communication.....	137
Figure 12-4: SPI Mode 1, Four-Wire Communication.....	137
Figure 12-5: SPI Mode 1, Three-Wire Communication.....	138
Figure 12-6: SPI Mode 2, Four-Wire Communication.....	138
Figure 12-7: SPI Mode 2, Three-Wire Communication.....	138
Figure 12-8: SPI Mode 3, Four-Wire Communication.....	139
Figure 12-9: SPI Mode 3, Three-Wire Communication.....	139
Figure 13-1. SPIMSS Block Diagram.....	148
Figure 13-2. SPI Single-Master, Single-Slave.....	149
Figure 13-3. SPI Multi-Master, Multi-Slave.....	149
Figure 13-4. SPI Slave.....	149
Figure 13-5. SPI Timing for Phase 0 (SPIMSSn_CTRL.phase = 0).....	152
Figure 13-6. SPI Timing for Phase 1 (SPIMSSn_CTRL.phase = 1).....	153
Figure 13-7: I2S Mode (i2s_en=1, i2s_lj=0).....	157
Figure 13-8: I2S Mode (i2s_en=1, i2s_lj=1).....	157

Table of Tables

Table 2-1: APB Peripheral Base Address Map.....	7
Table 3-1: Operating Voltage Range Selection and the Effect on V_{CORE} and f_{HIRC}	8
Table 3-2: Minimum Flash Wait State Setting for Each OVR Setting ($f_{SYSCLK} = f_{HIRC}$).....	10
Table 3-3: Reset and Low Power Mode Effects.....	15
Table 3-4: Instruction Cache Controller Register Addresses and Descriptions.....	16
Table 3-5: ICC Cache ID Register	17
Table 3-6: ICC Memory Size Register	17
Table 3-7: ICC Cache Control Register	17
Table 3-8: ICC Invalidate Register.....	18
Table 3-9: Global Control Registers, Offsets and Descriptions.....	19
Table 3-10: System Control Register	19
Table 3-11: Reset 0 Register	20
Table 3-12: System Clock Control Register	22
Table 3-13: Power Management Register.....	23
Table 3-14: Peripheral Clock Divisor Register	24
Table 3-15: Peripheral Clock Disable 0 Register	24
Table 3-16: Memory Clock Control Register.....	25
Table 3-17: Memory Zeroization Control Register.....	27
Table 3-18: System Status Flag Register.....	27
Table 3-19: Reset Register 1.....	28
Table 3-20: Peripheral Clock Disable Register 1.....	28
Table 3-21: Event Enable Register.....	28
Table 3-22: Revision Register	29
Table 3-23: System Status Interrupt Enable Register.....	29
Table 3-24: System Initialization Registers, Offsets and Descriptions.....	29
Table 3-25: Function Control Register 0.....	29
Table 3-26: System Initialization Address Error Register.....	30
Table 3-27: Function Control Registers, Offsets and Descriptions.....	30
Table 3-28: Function Control Register 0.....	30
Table 3-29: Power Sequencer Low Power Control Registers, Offsets, Access and Descriptions.....	31
Table 3-30: Low Power Voltage Control Register	31
Table 3-31: Low Power Mode Wakeup Flags for GPIO0	33
Table 3-32: Low Power Wakeup Enable for GPIO0 Register	34
Table 3-33: RAM Shut Down Register	34
Table 4-1: Internal Flash Memory Organization	35
Table 4-2: Valid Addresses for 32-bit and 128-bit Internal Flash Writes	36
Table 4-3: Page Boundary Address Range for Page Erase Operations.....	37
Table 4-4: Flash Controller Registers, Offsets, Access and Descriptions.....	37
Table 4-5: Flash Controller Interrupt Register.....	40
Table 4-6: Flash Controller Data Register 0	40
Table 4-7: Flash Controller Data Register 1.....	40
Table 4-8: Flash Controller Data Register 2.....	41

Table 4-9: Flash Controller Data Register 3.....	41
Table 5-1: GPIO Port, Pin Name and Alternate Function Matrix, 16-WLP.....	43
Table 5-2: GPIO Port, Pin Name and Alternate Function Matrix, 20-TQFN.....	43
Table 5-3: Standard GPIO Drive Strength Selection.....	45
Table 5-4: GPIO with I2C Alternate Function Drive Strength Selection.....	45
Table 5-5: GPIO Mode and Alternate Function Selection.....	45
Table 5-6: GPIO Port Interrupt Vector Mapping.....	46
Table 5-7: GPIO Wakeup Interrupt Vector.....	47
Table 5-8: GPIO Port 0 Registers.....	47
Table 5-9: GPIO Alternate Function 0 Select Register.....	47
Table 5-10: GPIO Output Enable Register.....	48
Table 5-11: GPIO Output Register.....	48
Table 5-12: GPIO Input Register.....	49
Table 5-13: GPIO Port Interrupt Mode Register.....	49
Table 5-14: GPIO Port Interrupt Polarity Registers.....	49
Table 5-15: GPIO Port Interrupt Enable Registers.....	49
Table 5-16: GPIO Interrupt Flag Register.....	50
Table 5-17: GPIO Wakeup Enable Registers.....	50
Table 5-18: GPIO Interrupt Dual Edge Mode Registers.....	50
Table 5-19: GPIO Pullup/Pulldown Enable Register.....	51
Table 5-20: GPIO Alternate Function Select Register.....	51
Table 5-21: GPIO Input Hysteresis Enable Register.....	51
Table 5-22: GPIO Slew Rate Enable Register.....	51
Table 5-23: GPIO Drive Strength 0 Select Register.....	52
Table 5-24: GPIO Drive Strength 1 Select Register.....	53
Table 5-25: GPIO Pullup/Pulldown Select Register.....	54
Table 6-1: DMA Channel Registers.....	56
Table 6-2: Channel Reload Registers.....	56
Table 6-3: Source and Destination Address Definition.....	58
Table 6-4: Data movement from source to DMA FIFO.....	58
Table 6-5: Data movement from the DMA FIFO to destination.....	58
Table 6-6: Standard DMA Control Registers, Offsets, Access and Descriptions.....	61
Table 6-7: DMA Interrupt Enable Register.....	62
Table 6-8: DMA Interrupt Flag Register.....	62
Table 6-9: Standard DMA Channel 0 to Channel 15 Offsets.....	62
Table 6-10: DMA Channel Registers, Offsets, Access and Descriptions.....	63
Table 6-11: DMA Configuration Register.....	63
Table 6-12: DMA Status Register.....	65
Table 6-13: DMA Source Register.....	66
Table 6-14: DMA Destination Register.....	66
Table 6-15: DMA Count Register.....	66
Table 6-16: DMA Source Reload Register.....	67
Table 6-17: DMA Destination Reload Register.....	67
Table 6-18: DMA Count Reload Register.....	67
Table 7-1: Example Baud Rate Calculation Results, Target Bit Rate = 1.8Mbps, $f_{PCLK} = 48\text{ MHz}$...	70

Table 7-2: UART Registers, Offset Addresses and Descriptions	71
Table 7-3: UART Control 0 Register	71
Table 7-4: UART Control 1 Register	73
Table 7-5: UART Status Register	73
Table 7-6: UART Interrupt Enable Register	75
Table 7-7: UART Interrupt Flags Register	75
Table 7-8: UART Rate Integer Register	76
Table 7-9: UART Baud Rate Decimal Register	77
Table 7-10: UART FIFO Register	77
Table 7-11: UART DMA Configuration Register	77
Table 7-12: UART TX FIFO Data Output Register	78
Table 8-1: RTC Registers, Offsets and Descriptions	83
Table 8-2: RTC Seconds Counter Register	83
Table 8-3: RTC Sub-Seconds Counter Register	83
Table 8-4: RTC Sub-Seconds Counter Register	84
Table 8-5: RTC Sub-Second Alarm Register	84
Table 8-6: RTC Control Register	84
Table 8-7: RTC Trim Register	86
Table 9-1: Timer Register Offsets, Names, Access and Descriptions	101
Table 9-2: Timer Count Registers	102
Table 9-3: Timer Compare Registers	102
Table 9-4: Timer Interrupt Registers	102
Table 9-5: Timer Control Registers	102
Table 9-6: Timer Non-Overlapping Compare Registers	104
Table 10-1: Watchdog Timer Interrupt Period with $f_{\text{SYSCLK}} = 96\text{MHz}$ and $f_{\text{PCLK}} = 48\text{MHz}$	106
Table 10-2: Watchdog Timer Registers	108
Table 10-3: Watchdog Timer Control Register	108
Table 10-4: Watchdog Timer Reset Register	109
Table 11-1: I ² C Address Byte Format	115
Table 11-2: I ² C Registers	121
Table 11-3: I ² C Control Registers 0	122
Table 11-4: I ² C Status Registers	123
Table 11-5: I ² C Interrupt Status Flags Registers 0	124
Table 11-6: I ² C Interrupt Enable 0 Registers	126
Table 11-7: I ² C Interrupt Status Flags 1 Registers	128
Table 11-8: I ² C Interrupt Enable Registers 1	128
Table 11-9: I ² C FIFO Length Registers	128
Table 11-10: I ² C Receive Control Registers 0	129
Table 11-11: I ² C Receive Control 1 Registers	129
Table 11-12: I ² C Transmit Control Registers 0	130
Table 11-13: I ² C Transmit Control Registers 1	130
Table 11-14: I ² C Data Registers	131
Table 11-15: I ² C Master Mode Control Registers	131
Table 11-16: I ² C SCL Low Control Register	132
Table 11-17: I ² C SCL High Control Register	132

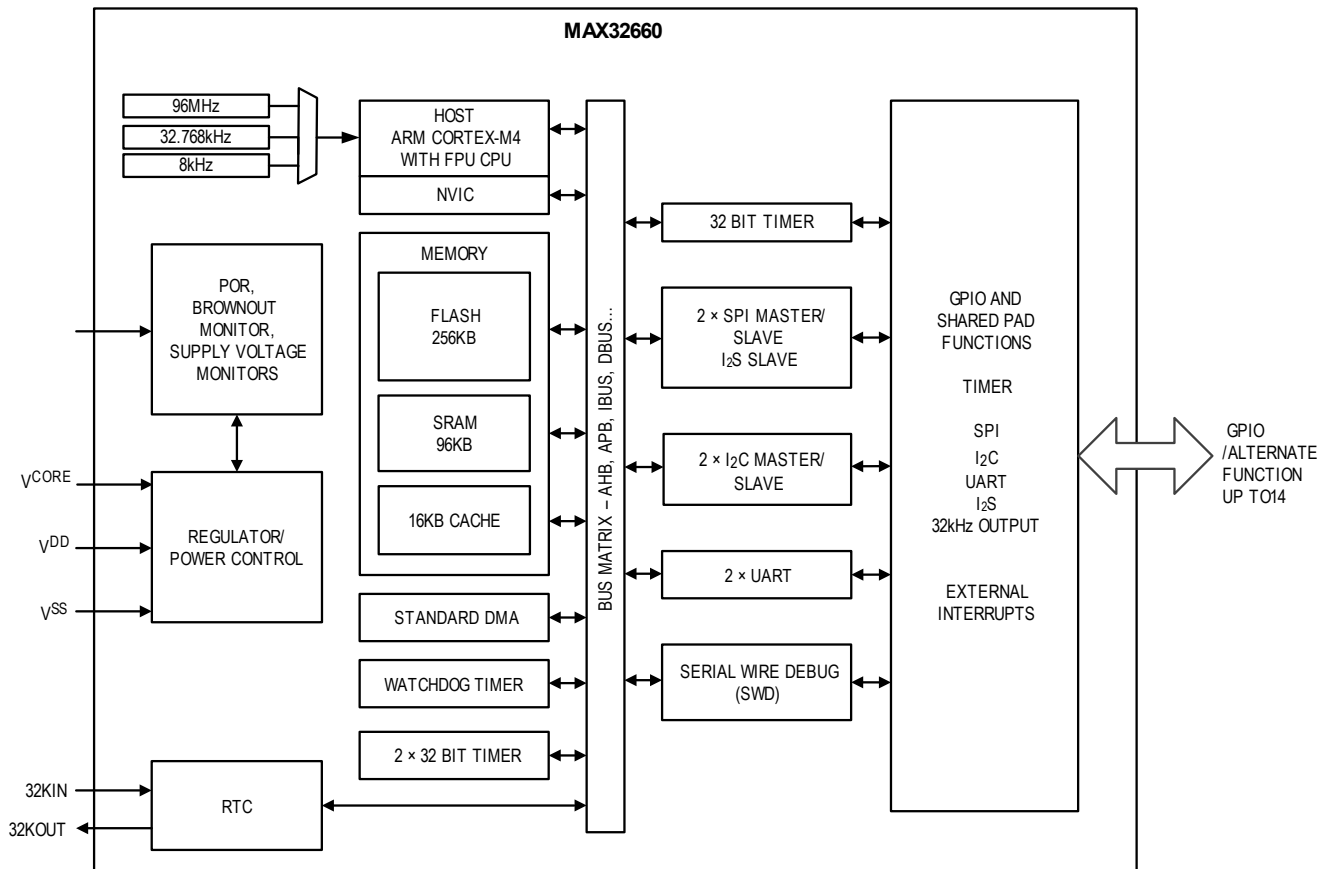
Table 11-18: I ² C Timeout Registers	132
Table 11-19: I ² C Slave Address Register	133
Table 11-20: I ² C DMA Register.....	133
Table 12-1: SPI0 Master Register Addresses and Descriptions	139
Table 12-2: SPI FIFO Data Registers.....	140
Table 12-3: SPI Master Signals Control Registers.....	140
Table 12-4: SPI Transmit Packet Size Register	141
Table 12-5: SPI Static Configuration Registers	141
Table 12-6: SPI Slave Select Timing Register	142
Table 12-7: SPI Master Clock Configuration Registers.....	142
Table 12-8: SPI DMA Control Registers.....	143
Table 12-9: SPI Interrupt Flag Registers	144
Table 12-10: SPI Interrupt Enable Registers	145
Table 12-11: SPI Wakeup Status Flags Registers	146
Table 12-12: SPI Wakeup Enable Registers.....	147
Table 12-13: SPI Status Registers	147
Table 13-1. Clock Phase and Polarity Operation.....	152
Table 13-2: SPIMSS Register Offsets, Access and Descriptions.....	159
Table 13-3. SPIMSS Data Register	160
Table 13-4: SPIMSS Control Register.....	160
Table 13-5: SPIMSS Interrupt Flag Register.....	161
Table 13-6: SPIMSS Mode Register.....	162
Table 13-7: SPIMSS Bit Rate Generator Register	163
Table 13-8: SPIMSS DMA Register.....	163
Table 13-9: SPIMSS I2S Control Register.....	164

1 Overview

The MAX32660 is an ultra-low power, cost effective highly integrated microcontroller designed for battery-powered devices and wireless sensors. It combines a flexible and versatile power management unit with the powerful ARM® Cortex®-M4 processor with Floating Point Unit (FPU). The device enables designs with complex sensor processing without compromising battery life. It also offers legacy designs an easy and cost optimal upgrade path from 8 or 16-bit microcontrollers. The device integrates up to 256KB of flash memory and 96KB of SRAM to accommodate application and sensor code.

The device features four powerful and flexible power modes. It can operate from a single supply battery voltage, or a dual supply typically provided by a PMIC. The I²C port supports standard, fast, fast-plus and high-speed modes operating up to 3400Kbps. The SPI ports can run up to 48MHz in both master and slave mode, and the UARTs can run up to 4Mbps. Three general-purpose 32-bit timers, a watchdog timer, and a real-time clock are also provided. An I²S interface provides audio streaming to a codec.

Figure 1-1: MAX32660 High Level Block Diagram



2 Memory, Register Mapping, and Access

2.1 Overview

The ARM Cortex-M4 architecture defines a standard memory space for unified code and data access. This memory space is addressed in units of single bytes but is most typically accessed in 32-bit (4 byte) units. It may also be accessed, depending on the implementation, in 8-bit (1 byte) or 16-bit (2 byte) widths. The total range of the memory space is 32-bits in width (4GB addressable total), from addresses 0x0000 0000 to 0xFFFF FFFF.

It is important to note, however, that the architectural definition does not require the entire 4GB memory range to be populated with addressable memory instances.

Figure 2-1: Code Memory Mapping

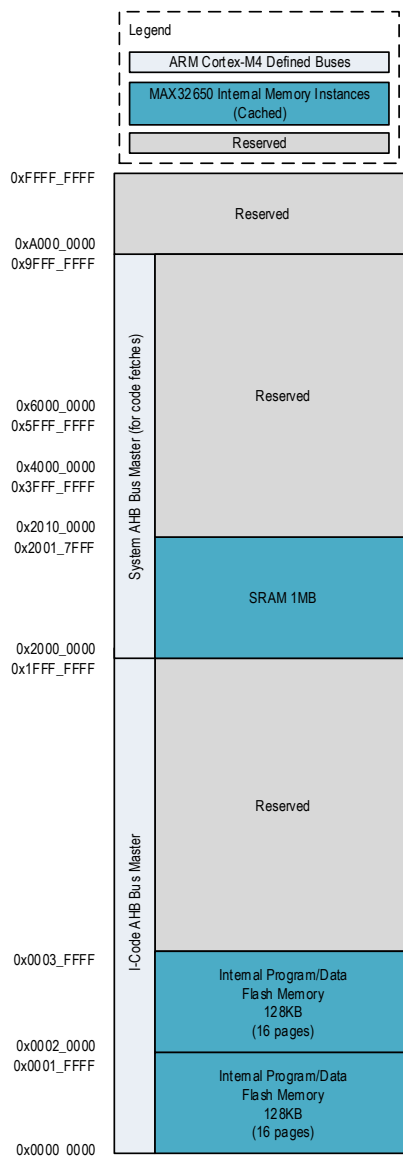
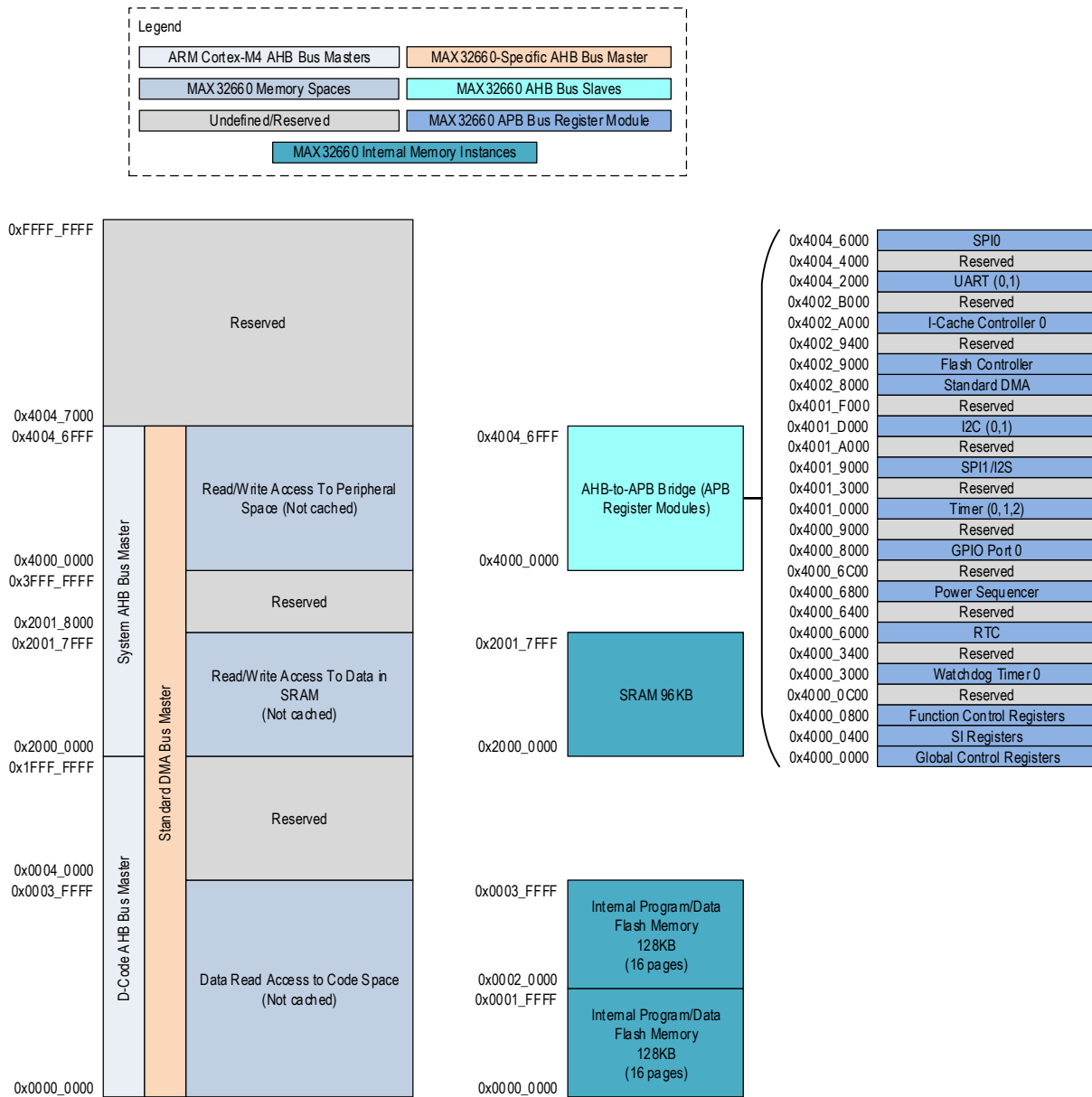


Figure 2-2: Data Memory Map



2.2 Standard Memory Regions

Many standard memory regions are defined for the ARM Cortex-M4 architecture; the use of many of these is optional for the system integrator. At a minimum, the MAX32660, a Cortex-M4-based device, must contain some code and data memory for application code and variable/stack use, as well as certain components which are part of the instantiated core.

2.2.1 Code Space

The code space area of memory is designed to contain the primary memory used for code execution by the device. This memory area is defined from byte address range 0x0000 0000 to 0x1FFF FFFF (0.5GB maximum). Two different standard core bus masters are used by the Cortex-M4 core and ARM debugger to access this memory area. The I-Code AHB bus master is used for instruction decode fetching from code memory, while the D-Code AHB bus master is used for data fetches from code memory. This is arranged so that data fetches avoid interfering with instruction execution.

On the MAX32660, the code space memory area contains the main internal flash memory, which holds most of the instruction code that will be executed on the device. The internal flash memory is mapped into both code and data space from 0x0000 0000 to 0x0003 FFFF. This program memory area must also contain the default system vector table and the initial settings for all system exception handlers and interrupt handlers. The reset vector for the device is 0x0000 0000.

The code space memory on the MAX32660 also contains the mapping for the flash information block, from 0x0004 0000 to 0x0004 1FFF. However, this mapping is generally only present during production test; it is disabled once the information block has been loaded with valid data and the info block lockout option has been set. This memory is accessible for data reads only and cannot be used for code execution.

2.2.2 SRAM Space

The SRAM area of memory is intended to contain the primary SRAM data memory of the device and is defined from byte address range 0x2000 0000 to 0x3FFF FFFF (0.5GB maximum). This memory can be used for general purpose variable and data storage, code execution, and the ARM Cortex-M4 stack.

On the MAX32660, this memory area contains the main system SRAM 96KB, which is mapped from 0x2000 0000 to 0x2001 7FFF.

The entirety of the SRAM memory space on the MAX32660 is contained within the dedicated ARM Cortex-M4 SRAM bit-banding region from 0x2000 0000 to 0x200F FFFF (1MB maximum for bit-banding). This means that the CPU can access the entire SRAM either using standard byte/word/doubleword access or using bit-banding operations. The bit-banding mechanism allows any single bit of any given SRAM byte address location to be set, cleared, or read individually by reading from or writing to a corresponding doubleword (32-bit wide) location in the bit-banding alias area.

The alias area for the SRAM bit-banding is located beginning at 0x2200 0000 and is a total of 32MB maximum, which allows the entire 1MB bit banding area to be accessed. Each 32-bit (4 byte aligned) address location in the bit-banding alias area translates into a single bit access (read or write) in the bit-banding primary area. Reading from the location performs a single bit read, while writing either a 1 or 0 to the location performs a single bit set or clear.

Note: The ARM Cortex-M4 core translates the access in the bit-banding alias area into the appropriate read cycle (for a single bit read) or a read-modify-write cycle (for a single bit set or clear) of the bit-banding primary area. This means that bit-banding is a core function (i.e., not a function of the SRAM memory interface layer or the AHB bus layer), and thus is only applicable to accesses generated by the core itself. Reads/writes to the bit-banding alias area by other (non-ARM-core) bus masters such as the Standard DMA AHB bus master will not trigger a bit-banding operation and will instead result in an AHB bus error.

The SRAM area on the MAX32660 can be used to contain executable code. Code stored in the SRAM is accessed directly for execution (using the system bus) and is not cached. The SRAM is also where the ARM Cortex-M4 stack must be located, as it is the only general-purpose SRAM memory on the device. A valid stack location inside the SRAM must be set by the system exception table (which is, by default, stored at the beginning of the internal flash memory). The MAX32660 specific AHB Bus Masters can also access the SRAM to use as general storage or working space.

2.2.3 Peripheral Space

The peripheral space area of memory is intended for mapping of control registers, internal buffers/working space, and other features needed for the firmware control of non-core peripherals. It is defined from byte address range 0x4000 0000 to 0x5FFF FFFF (0.5GB maximum). On the MAX32660, all device-specific module registers are mapped to this memory area, as well as any local memory buffers or FIFOs which are required by modules.

As with the SRAM region, there is a dedicated 1MB area at the bottom of this memory region (from 0x4000 0000 to 0x400F FFFF) that is used for bit-banding operations by the ARM core. Four-byte-aligned read/write operations in the

peripheral bit-banding alias area (32MB in length, from 0x4200 0000 to 0x43FF FFFF) are translated by the core into read/mask/shift or read/modify/write operation sequences to the appropriate byte location in the bit-banding area.

Note: The bit-banding operation within peripheral memory space is, like bit-banding function in SRAM space, a core remapping function. As such, it is only applicable to operations performed directly by the ARM core. If another memory bus master (such as the Standard DMA AHB master) accesses the peripheral bit-banding alias region, the bit-banding remapping operation will not take place. In this case, the bit-banding alias region will appear to be a non-implemented memory area (causing an AHB bus error).

On the MAX32660, access to the region that contains most peripheral registers (0x4000 0000 to 0x400F FFFF) goes from the AHB bus through an AHB-to-APB bridge. This allows the peripheral modules to operate on the slower, easier to handle APB bus matrix. This also ensures that peripherals with slower response times do not tie up bandwidth on the AHB bus, which must necessarily have a faster response time since it handles main application instruction and data fetching.

Note: The APB bus supports 32-bit width access only. All access to the APB peripheral register area (0x4000 0000 to 0x400F FFFF) must be 32-bit width only with 32-bit (4 byte) alignment. Access using 8-bit or 16-bit width to this memory region is not supported and will result in an AHB memory fault exception (returned by the AHB-to-APB bridge interface).

2.2.4 External RAM Space

The external RAM space area of memory is intended for use in mapping off-chip external memory and is defined from byte address range 0x6000 0000 to 0x9FFF FFFF (1GB maximum). The MAX32660 does not implement this memory area.

2.2.5 External Device Space

The external device space area of memory is intended for use in mapping off-chip device control functions onto the AHB bus. This memory space is defined from byte address range 0xA000 0000 to 0xDFFF FFFF (1GB maximum). The MAX32660 does not implement this memory area.

2.2.6 System Area (Private Peripheral Bus)

The system area (private peripheral bus) memory space contains register areas for functions that are only accessible by the ARM core itself (and the ARM debugger, in certain instances). It is defined from byte address range 0xE000 0000 to 0xE00F FFFF. This APB bus is restricted and can only be accessed by the ARM core and core-internal functions. It cannot be accessed by other modules which implement AHB memory masters, such as the Standard DMA.

In addition to being restricted to the core, application code is only allowed to access this area when running in the privileged execution mode (as opposed to the standard user thread execution mode). This helps ensure that critical system settings controlled in this area are not altered inadvertently or by errant code that should not have access to this area.

Core functions controlled by registers mapped to this area include the SysTick timer, debug and tracing functions, the NVIC (interrupt handler) controller, and the Flash Breakpoint controller.

2.2.7 System Area (Vendor Defined)

The system area (vendor defined) memory space is reserved for vendor (system integrator) specific functions that are not handled by another memory area. It is defined from byte address range 0xE010 0000 to 0xFFFF FFFF. The MAX32660 does not implement this memory region.

2.3 Device Memory Instances

This section details physical memory instances on the MAX32660 (including internal flash memory and SRAM instances) that are accessible as standalone memory regions using either the AHB or APB bus matrix. Memory areas which are only accessible via FIFO interfaces, or memory areas consisting of only a few registers for a peripheral, are not covered here.

2.3.1 Main Program Flash Memory

The main program flash memory is 256KB in size and consists of 32 logical pages of 8KB each.

2.3.2 Instruction Cache Memory

The internal flash memory instruction cache is 16KB in size and is used to cache instructions fetched using the I-Code bus. This includes instructions fetched from the internal flash memory. Note that the cache is used for instruction fetches only. Data fetches (including code literal values) from the internal flash memory do not use the instruction cache.

2.3.3 Information Block Flash Memory

The information block is a separate flash instance of 16KB. It is used to store trim settings (option configuration and analog trim) as well as other nonvolatile device-specific information intended for use by firmware.

2.3.4 System SRAM

The system SRAM is 96KB in size and can be used for general purpose data storage, the ARM system stack, USB data transfers (endpoints), and Standard DMA operations, as well as code execution if desired.

2.3.5 AHB Bus Matrix and AHB Bus Interfaces

This section details memory accessibility on the AHB bus matrix and the organization of AHB master and slave instances.

2.3.6 Core AHB Interface

2.3.6.1 I-Code

This AHB master is used by the ARM core for instruction fetching from memory instances located in code space from byte addresses 0x0000 0000 to 0x1FFF FFFF. This bus master is used to fetch instructions from the internal flash memory. Instructions fetched by this bus master are returned by the instruction cache, which in turn triggers a cache line fill cycle to fetch instructions from the internal flash memory when a cache miss occurs.

2.3.6.2 D-Code

This AHB master is used by the ARM core for data fetches from memory instances located in code space from byte addresses 0x0000 0000 to 0x1FFF FFFF. This bus master has access to the internal flash memory, and the information block (if it has not been locked).

2.3.6.3 System

This AHB master is used by the ARM core for all instruction fetches and data read and write operations involving the SRAM. The APB mapped peripherals (through the AHB-to-APB bridge) and AHB mapped peripheral and memory areas are also accessed using this bus master.

2.3.7 AHB Master

2.3.7.1 Standard DMA

The Standard DMA bus master has access to all off-core memory areas accessible by the System bus. It does not have access to the ARM Private Peripheral Bus area.

2.4 Peripheral Register Map

Table 2-1, below, contains the base address for each of the APB mapped peripherals. The base address for a given peripheral is the start of the register map for the peripheral. For a given peripheral, the address for a register within the peripheral is defined as the peripheral base address plus the registers offset.

Table 2-1: APB Peripheral Base Address Map

Peripheral	Peripheral Register Prefix	Base Address	End Address
Global Control	GCR_	0x4000 0000	0x4000 03FF
System Interface	SIR_	0x4000 0400	0x4000 07FF
Function Control	FCR_	0x4000 0800	0x4000 0BFF
Watchdog Timer 0	WDT0_	0x4000 3000	0x4000 33FF
Real-Time Clock	RTC_	0x4000 6000	0x4000 63FF
Power Sequencer	PWRSEQ_	0x4000 6800	0x4000 6BFF
GPIO Port 0	GPIO0_	0x4000 8000	0x4000 8FFF
Timer 0	TMR0_	0x4001 0000	0x4001 0FFF
Timer 1	TMR1_	0x4001 1000	0x4001 1FFF
Timer 2	TMR2_	0x4001 2000	0x4001 2FFF
SPIMSS	SPIMSS_	0x4001 9000	0x4001 9FFF
I2C 0	I2C0_	0x4001 D000	0x4001 DFFF
I2C 1	I2C1_	0x4001 E000	0x4001 EFFF
Standard DMA	DMA_	0x4002 8000	0x4002 8FFF
Flash Controller	FLC_	0x4002 9000	0x4002 93FF
I-Cache Controller	ICC_	0x4002 A000	0x4002 AFFF
UART 0	UART0_	0x4004 2000	0x4004 2FFF
UART 1	UART1_	0x4004 3000	0x4004 3FFF
SPI0	SPIO_	0x4004 6000	0x4004 6FFF

3 System Clocks, Reset, and Power Management

The MAX32660 includes a High-Frequency Internal Oscillator (HIRC), an 8kHz nano-ring oscillator and support for an external 32kHz crystal. Support for selectable core operating voltage is provided and the HIRC frequency is scaled based on the specific core operating voltage range selected.

3.1 Core Operating Voltage Range Selection

The MAX32660 supports three selections for the core Operating Voltage Range(OVR). In single supply operation, changing the OVR sets the output of the internal LDO regulator to the voltage shown in [Table 3-1](#). For dual supply designs, setting the OVR allows the MAX32660 to set an external PMIC to provide the required V_{CORE} voltage dynamically. Changing the OVR also reduces the output frequency of the High-frequency Internal Oscillator(HIRC), further reducing power consumption.

Changes to the OVR effect the access time of the internal flash memory and the application firmware must set the flash wait states for each OVR setting as outlined in section [Setting the Operating Voltage Range](#)

Prior to setting the OVR, it is recommended to switch the system clock to the 32kHz oscillator or copy the OVR setup code to RAM and execute the steps below while executing from RAM.

Set the operating voltage range to the required range as follows:

1. Set the Flash Wait State to a minimum value of 4, ($GCR_MEM_CTRL.fws = 4$).
 - a. Setting the Flash Wait State to the highest value ensures the change does not result in an issue reading from the Flash after the OVR is changed.
2. Set the field $PWRSEQ_LP_CTRL.ovr$ to either 0, 1 or 2 per [Table 3-1](#) for the required OVR.
3. Set the Flash Controller Low Voltage Enable bit, $FLC_CTRL.lve$, to either 0 or 1 per [Table 3-1](#).
4. Switch back to the High Frequency Internal Oscillator, HiRC, by setting $GCR_CLK_CTRL.clkssel$ to 0.
5. When the $GCR_CLK_CTRL.clkrdy$ bit reads 0, the OVR is setup and the system is ready.

Flash Wait States for details on minimum flash wait states for the internal flash memory.

Changing the core operating voltage immediately reduces the output frequency of the High Frequency Internal Oscillator as shown in [Table 3-1, below](#). When operating the MAX32660 using dual external supplies requires special considerations and must be handled carefully in the application firmware. Details of changing the OVR are described in the sections [Single Supply Operation](#) and [Dual Supply Operation](#).

Table 3-1: Operating Voltage Range Selection and the Effect on V_{CORE} and f_{HIRC}

$PWRSEQ_LP_CTRL.ovr$	$FLC_CTRL.lve$	V_{CORE} Typical	f_{HIRC}
0	1	0.9	24
1	0	1	48
2	0	1.1	96

3.1.1 Single Supply Operation

3.1.2 *If the MAX32660 is powered by a single supply connected via V_{DD} , the operating voltage range can easily be changed on the fly by the application firmware. Changing the OVR in single supply mode changes the output of the internal LDO regulator to the V_{CORE} Typical values as shown in [Table 3-1](#). It is recommended to set the flash wait state value to 4 prior to changing the OVR for the device to ensure access to the internal flash memory during and immediately after the OVR change takes effect. Once complete, the flash wait states can be*

set to the minimum value for the selected OVR settings as shown in Table 3-2. Details of the Setting the Operating Voltage Range

Prior to setting the OVR, it is recommended to switch the system clock to the 32kHz oscillator or copy the OVR setup code to RAM and execute the steps below while executing from RAM.

Set the operating voltage range to the required range as follows:

6. Set the Flash Wait State to a minimum value of 4, (*GCR_MEM_CTRL.fws* = 4).
 - a. Setting the Flash Wait State to the highest value ensures the change does not result in an issue reading from the Flash after the OVR is changed.
7. Set the field *PWRSEQ_LP_CTRL.ovr* to either 0, 1 or 2 per [Table 3-1](#) for the required OVR.
8. Set the Flash Controller Low Voltage Enable bit, *FLC_CTRL.lve*, to either 0 or 1 per [Table 3-1](#).
9. Switch back to the High Frequency Internal Oscillator, HiRC, by setting *GCR_CLK_CTRL.clksel* to 0.
10. When the *GCR_CLK_CTRL.clkrdy* bit reads 0, the OVR is setup and the system is ready.

Flash Wait States and the requirements related to the OVR setting are covered below.

3.1.3 Dual Supply Operation

In dual supply operation, after a reset, the application firmware must set the OVR to match the input voltage supplied on the V_{CORE} input pin. The flash wait states must also be adjusted by the application firmware after a reset event. The OVR settings are stored in the Always on Domain (AoD) and are only reset during a Power On Reset sequence.

Note: Setting the OVR to a range higher than the V_{CORE} input voltage may result in undesired behavior.

3.1.4 Setting the Operating Voltage Range

Prior to setting the OVR, it is recommended to switch the system clock to the 32kHz oscillator or copy the OVR setup code to RAM and execute the steps below while executing from RAM.

Set the operating voltage range to the required range as follows:

11. Set the Flash Wait State to a minimum value of 4, (*GCR_MEM_CTRL.fws* = 4).
 - a. Setting the Flash Wait State to the highest value ensures the change does not result in an issue reading from the Flash after the OVR is changed.
12. Set the field *PWRSEQ_LP_CTRL.ovr* to either 0, 1 or 2 per [Table 3-1](#) for the required OVR.
13. Set the Flash Controller Low Voltage Enable bit, *FLC_CTRL.lve*, to either 0 or 1 per [Table 3-1](#).
14. Switch back to the High Frequency Internal Oscillator, HiRC, by setting *GCR_CLK_CTRL.clksel* to 0.
15. When the *GCR_CLK_CTRL.clkrdy* bit reads 0, the OVR is setup and the system is ready.

3.1.5 Flash Wait States

On reset events, the MAX32660 sets the number of system clock cycles for accessing the internal flash memory. The reset default for the number of flash wait states is 5 system clock cycles as set in the *GCR_MEM_CTRL.fws* field. The number of flash wait states is determined by the system clock frequency and is dependent on the V_{CORE} supply voltage. The default reset OVR settings set the V_{CORE} supply to 1.1V and from TABLE XX, below, the minimum number of flash wait states for a system clock of 96MHz is 2.

The setting for the number of flash wait states effects performance and is critical it is set correctly based on the OVR settings. If the setting for the flash wait states is below the minimum required for a given OVR setting and system clock frequency flash fetches may fail and cause the device to execute incorrect program instructions. Set the number of flash

wait states using the field `GCR_MEM_CTRL.fws` per TABLE XX below. If setting the OVR to a setting that requires a higher number of flash wait states, set the `GCR_MEM_CTRL.fws` field prior to changing the OVR settings.

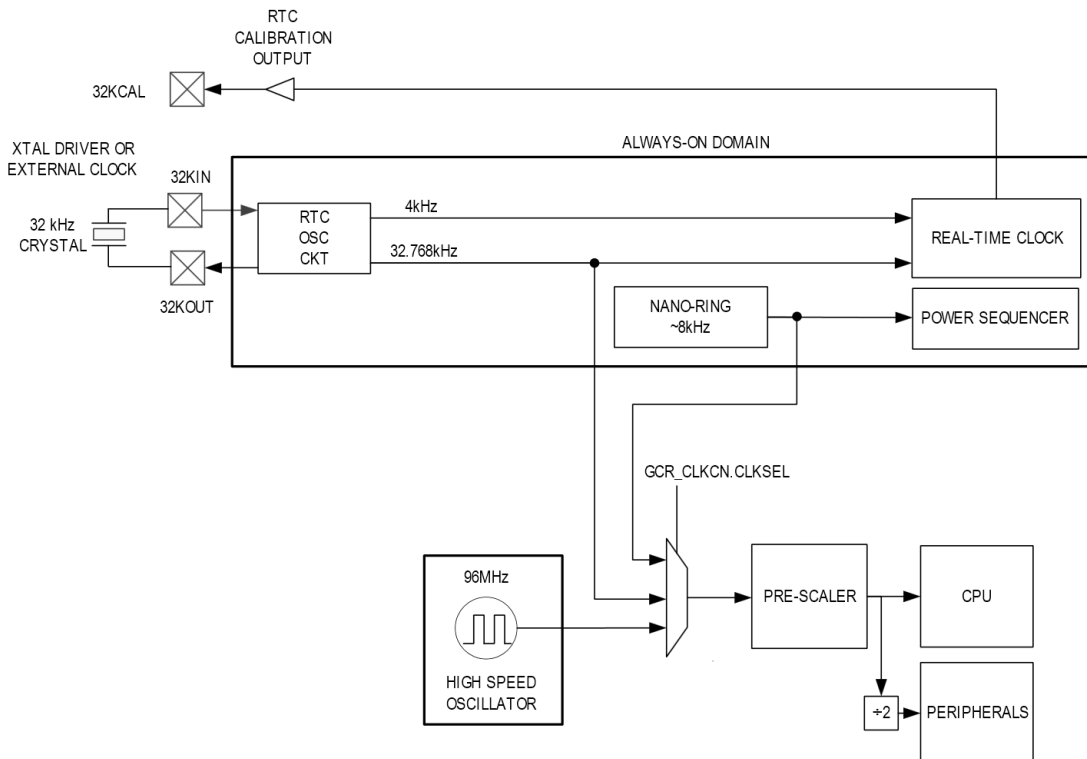
Table 3-2: Minimum Flash Wait State Setting for Each OVR Setting ($f_{SYSCLK} = f_{HIRC}$)

Core Operating Voltage Range Setting		Core Voltage Range	f_{HIRC} (MHz)	System Clock Prescaler	System Clock	Minimum Flash Wait State Setting
PWRSEQ_LP_CTRL.ovr	FLC_CTRL.lve	V _{CORE} (V)		GCR_CLK_CTRL.psc	f_{SYSCLK} (MHz)	GCR_MEM_CTRL.fws
0	1	0.81 - 0.99	24	0	24	2
				1	12	1
1	0	0.9 - 1.1	48	0	48	2
				1	24	1
2	0	0.99 - 1.21	96	0	96	4
				1	48	2
				2	24	1

3.2 System Clocks

Figure 3-1, below, shows a high-level diagram of the MAX32660 clock tree.

Figure 3-1: Clock Tree Diagram



The selected System Oscillator (SYSOSC) is the clock source for most internal blocks. Select SYSOSC from the following clock sources:

- High-Frequency Internal Oscillator (HIRC)
- 8kHz Internal Ultra-Low Power Nano-Ring Oscillator
- 32.768kHz External Crystal Oscillator

The selected SYSOSC is the input to the system oscillator prescaler to generate the System Clock (SYSCLK). The system oscillator prescaler divides SYSOSC by a prescaler using the `GCR_CLK_CTRL.psc` field as shown in [Equation 3-1](#).

Equation 3-1: System Clock Scaling

$$SYSCLK = \frac{SYSOSC}{2^{psc}}$$

`GCR_CLK_CTRL.psc` is selectable from 0 to 7, resulting in divisors of 1, 2, 4, 8, 16, 32, 64 or 128.

SYSCLK drives the ARM Cortex-M4 with FPU and is used to generate the following internal clocks as shown below:

- Advanced High-Performance Bus (AHB) Clock
 - ◆ $HCLK = SYSCLK$
- Advanced Peripheral Bus (APB) Clock,
 - ◆ $PCLK = SYSCLK/2$

There are additional internal clocks that are generated. These clocks are independent of SYSOSC and SYSCLK as follows:

- The RTC uses the 32.768kHz oscillator

All oscillators are reset to default at Power-On Reset and System Reset. Oscillator status is not reset at Soft Reset or Peripheral Reset.

3.3 Oscillator Sources and Clock Switching

Before using any oscillator, the oscillator must first be enabled by setting its corresponding enable bit in the System Clock Control Register, `GCR_CLK_CTRL`. Before setting any oscillator as SYSOSC, its corresponding oscillator ready bit in the `GCR_CLK_CTRL` register must first be checked.

Once the corresponding oscillator ready bit is set, the oscillator can then be selected as SYSOSC by configuring the Clock Source Select field (`GCR_CLK_CTRL.clkssel`).

Any time firmware changes SYSOSC by changing `GCR_CLK_CTRL.clkssel`, the Clock Ready bit `GCR_CLK_CTRL.clkrdy` is automatically cleared to indicate that a SYSOSC switchover is in progress. When switchover is complete, `GCR_CLK_CTRL.clkrdy` is automatically set to 1.

Immediately before entering any low-power mode, enable the SYSOSC to be used in that low-power mode.

3.3.1 High-Frequency Internal Oscillator

The MAX32660 is available with a High-Frequency Internal Oscillator. This is the default system oscillator.

The internal high-speed oscillator can be calibrated for greater accuracy using the external 32.768kHz oscillator as a reference.

This oscillator must be automatically powered down when in DEEPSLEEP mode by setting register bit `GCR_PM.hircmmpd = 1`.

This oscillator is enabled at powerup, POR, and System Reset.

3.3.2 32.768kHz External Crystal Oscillator

This is a very low power internal oscillator that can be selected as SYSOSC. This oscillator can optionally use a 32.768kHz input clock instead of an external crystal. The internal 32.768kHz clock is available as an output on GPIO 32KCAL.

This oscillator is the dedicated clock for the Real-Time Clock (RTC). If the RTC is enabled, the 32.768kHz external oscillator must be enabled, independent of the selection of SYSOSC.

When this oscillator is active, an RTC alarm can wake this device from SLEEP or DEEPSLEEP mode if the `GCR_PM.rtcwk_en` is set to 1 and the RTC alarm is configured.

The 32.768kHz oscillator is disabled on powerup.

3.3.3 8kHz Ultra-Low Power Nano-Ring Internal Oscillator

An ultra-low power internal 8kHz nano-ring oscillator is available and can be set as the System Oscillator (SYSOSC). This oscillator is enabled at device powerup by hardware and cannot be disabled by application firmware.

3.4 System Oscillators Reset

On Power-On Reset (POR) and System Reset, all oscillator states are reset to their Reset default:

- The 96MHz, and 8kHz oscillators are enabled, while the 32.768kHz oscillator is disabled. Oscillator enables are not reset by a Soft Reset or Peripheral Reset.

3.5 Operating Modes

The MAX32660 supports four operating modes:

- ACTIVE
- SLEEP
- DEEPSLEEP
- BACKUP

ACTIVE is the highest performance operating mode. SLEEP mode wakeup events include any external or internal interrupt, RTC wakeup, and the Watchdog Interrupt. DEEPSLEEP and BACKUP mode wakeup events are limited to an enabled GPIO interrupt or from the RTC wakeup event if enabled.

Each of the operating modes is described in detail in the following sections.

The ARM Cortex-M family of CPUs have two built-in low power modes, designated SLEEP and DEEPSLEEP. Implementation of these low-power modes are specific to the microcontroller's design. These modes are enabled using the System Control Register (SCR). Write register bit `SCR.sleepdeep` to select the low power mode as shown in the pseudocode below.

```
SCR.sleepdeep = 0; // SLEEP mode enabled
SCR.sleepdeep = 1; // DEEPSLEEP mode enabled
```


Once enabled, the device enters the enabled low power mode when either a WFI (Wait For Interrupt) or WFE (Wait For Event) instruction is executed.

Immediately before entering any low-power mode, enable the SYSOSC to be used in that low-power mode. If the selected SYSOSC is disabled in the selected low power mode, it will be enabled upon returning to ACTIVE mode.

Refer to the ARM Cortex-M4 core reference for more information on SCR.

3.5.1 ACTIVE Mode

This is the highest performance mode. All internal clocks, registers, memory, and peripherals are enabled. The CPU is running and executing application code. All oscillators are available.

Dynamic clocking allows firmware to selectively enable or disable clocks and power to individual peripherals, providing the optimal mix of high-performance and power conservation. Internal RAM that can be enabled, disabled, or placed in low-power RAM Retention Mode include data SRAM memory blocks, on-chip cache, and on-chip FIFOs. Refer to [RAM Low Power Modes](#) for details on RAM power mode control.

3.5.2 SLEEP Low Power Mode

This is a low power mode that suspends the CPU with a fast wakeup time to ACTIVE mode. In SLEEP mode, the microcontroller remains in an ACTIVE state with the system clock disabled for the Cortex core. Code execution stops during SLEEP mode. All enabled oscillators remain active and the RAM retains state if enabled. Refer to [RAM Low Power Modes](#) for details on enabling and disabling RAM sector data retention.

SLEEP mode wakeup events include any external or internal interrupt.

The following pseudocode places the device in SLEEP mode:

```
SCR.sleepdeep = 0; // SLEEP mode enabled
WFI (or WFE);    // Enter the low power mode enabled by SCR.sleepdeep
```

3.5.3 DEEPSLEEP Low Power Mode

In DEEPSLEEP mode all internal clocks are gated off including the system clock and the Watchdog Timer. The RTC continues operation, if enabled, during DEEPSLEEP. The ARM Cortex state and all system and peripheral registers retain state during DEEPSLEEP mode. RAM retains state per the RAM retention setting for each RAM sector. Set [PWRSEQ_LP_CTRL.ramret_sel\[3:0\]](#) to 1 to enable data retention during DEEPSLEEP mode.

Wakeup from DEEPSLEEP only occurs from an external GPIO interrupt or from a RTC alarm, both of which must be enabled separately.

All registers and RAM are retained. The GPIO pins retain their configured state in this mode.

The High Frequency Oscillator, HiRC, must be powered off when entering DEEPSLEEP mode. Set [GCR_PM.hircmmpd](#) = 1 to enter DEEPSLEEP mode. The 8kHz and 32.768kHz oscillators are available. Additionally, the [GCR_PM.mode](#) field should be set to 0 prior to entering DEEPSLEEP mode.

```
GCR_PMR.hircmmpd = 1; // Set HiRC to automatic power down for DEEPSLEEP
GCR_PMR.mode = 0;   // Set mode field to ensure DEEPSLEEP mode is entered
SCR.sleepdeep = 1;  // DEEPSLEEP mode enabled
WFI (or WFE);      // Enter DEEPSLEEP mode
```

3.5.4 BACKUP Low Power Mode

This is the lowest power operating mode. All oscillators are disabled except for the 8kHz and the 32kHz oscillator. The ARM Cortex state and all system and peripheral registers do not retain state except for the Real-Time Clock (RTC).

Only the RTC operates in BACKUP mode if enabled. RAM retention in BACKUP mode requires the Retention Regulator. Enable the RAM Retention Regulator by setting the `PWRSEQ_LP_CTRL.retreg_en` field to 1. Enable each RAM sector individually for data retention by setting the `PWRSEQ_LP_CTRL.ramret_sel[3:0]` fields to 1.

BACKUP mode supports the same wakeup sources as DEEPSLEEP mode.

Set `GCR_PM.mode` to 6 to immediately enter BACKUP mode.

3.6 Shutdown State

Shutdown State is not a low-power mode. It is intended to wipe all volatile memory from the device. In the Shutdown State, internal logic gates off all internal power. There is no data, register, or RAM retention in this mode. All wakeup sources, wakeup logic, and interrupts are disabled. The Always-on Domain (AoD) is disabled as well. The device only recovers through a Power-On Reset (POR) which re-initializes the device.

Setting `GCR_PM.mode = 7` results in the part immediately entering Shutdown State.

3.7 Device Resets

Four device resets are available:

- Peripheral Reset
- Soft Reset
- System Reset
- Power-On Reset

On completion of any of the four reset cycles, all peripherals are reset, HCLK and PCLK are operational, the CPU core receives clocks and power, and the device enters ACTIVE mode. Program execution begins at the reset vector address.

Each peripheral in the MAX32660 can be reset individually by firmware using the `GCR_RST0` and `GCR_RST1` registers.

3.7.1 Peripheral Reset

This resets the all peripherals. The CPU retains its state. The GPIO, Watchdog Timers, RAM Retention, and General Control Registers (GCR), including the clock configuration, are unaffected.

Initiate a Peripheral Reset by setting `GCR_RST0.periph_rst` to 1.

3.7.2 Soft Reset

This is the same as a Peripheral Reset except that it also resets the GPIO to its Power-On Reset state. All alternate functions are tri-stated.

Initiate a Soft Reset by setting `GCR_RST0.soft` to 1.

3.7.3 System Reset

This is the same as Soft Reset except it also resets all GCR, resetting the clocks to their default state. The CPU state is reset as well as the watchdog timers. The AoD and RAM Retention are unaffected.

A watchdog timer reset event initiates a System Reset. To start a Peripheral Reset from firmware, set `GCR_RST0.system = 1`.

3.7.4 Power-On Reset

A POR resets everything in the device to its default state, as if power had been cycled to the device. [Table 3-3](#) shows the effects of the four reset types and the five power modes supported by the MAX32660.

Table 3-3: Reset and Low Power Mode Effects

	Peripheral Reset	Soft Reset	System Reset	POR	ACTIVE Mode	SLEEP Mode	BACK-GROUND Mode	DEEP- SLEEP Mode	BACKUP Mode
GCR Reset	No	No	Reset	Reset	N/A	N/A	N/A	N/A	N/A
8kHz Osc	On	On	On	On	On	On	On	On	On
High Freq Osc	-	-	On	On	Y	Y	Y	Auto Off	Off
PCLK	On	On	On	On	On	On	On	Off	Off
HCLK	On	On	On	On	On	On	On	Off	Off
CPU Clock	On	On	On	On	On	Off	Off	Off	Off
VCORE	On	On	On	On	On	On	On	Off	Off
CPU State Retention	On	On	Reset	Reset	N/A	On	On	On	Off
RTC	Reset	Reset	Reset	Reset	Y	Y	Y	Y	Y
Standard DMA	Reset	Reset	Reset	Reset	Y	Y	Off	Off	Off
Watchdog Timer	-	-	Reset	Reset	Y	Y	Y	Off	Off
GPIO	-	Reset	Reset	Reset	Y	Y	Y	Y	Y
Flash Controller, ICC0 Cache	Reset	Reset	Reset	Reset	Y	Y	Off	Off	Off
Other Peripherals	Reset	Reset	Reset	Reset	Y	Y	Y	Off	Off
External Reset Wakeup	-	-	-	-	-	Y	Y	Y	Y
GPIO Wakeup	-	-	-	-	-	Y	Y	Y	Y
RTC Wakeup	-	-	-	-	-	Y	Y	Y	Y
AoD	On	Y	Y	Y	Y	On	On	On	Auto Off
RAM Retention	Y	Y	Y	Reset	Y	Y	Y	Y	Auto Off

	Peripheral Reset	Soft Reset	System Reset	POR	ACTIVE Mode	SLEEP Mode	BACK-GROUND Mode	DEEP- SLEEP Mode	BACKUP Mode
<p>Table key: Y = Enabled, can be disabled by firmware On = Enabled by hardware (Cannot be disabled) Off = Disabled by hardware (Cannot be enabled) Auto Off = Can either be left on, or automatically gated off when in this power mode. - = No Effect N/A = Not Applicable</p> <p><i>Note: SLEEP, DEEPSLEEP, and BACKUP low-power modes wake-up directly to ACTIVE with no reset.</i> <i>Note: The AoD includes the oscillator trim settings, the RTC, RAM retention, and Low Power Wakeup Control Registers.</i> <i>Note: Only a Power-On Reset triggers a reset of the AoD.</i> <i>Note: RAM Retention applies to data SRAM, cache, and all FIFOs.</i> <i>Note: Peripheral, Soft, and System Resets are initiated by firmware though the GCR_RST0 register.</i> <i>Note: A Watchdog Reset initiates a System Reset.</i></p>									

3.8 Instruction Cache Controller

ICCO is the Instruction Cache Controller used for the internal Flash Memory. ICCO includes a line buffer, tag RAM and a 16KB 2-way set associative Data RAM.

3.8.1 Enabling ICCO

Perform the following steps to enable ICCO or ICC1.

- Set [ICCO_CACHE_CTRL.enable](#) to 1
- Read [ICCO_CACHE_CTRL.ready](#) until it returns 1

3.8.2 Disabling ICCO

Disable ICCO by setting [ICCO_CACHE_CTRL.enable](#) to 0.

3.8.3 Flushing the ICCO Cache

The System Configuration Register ([GCR_SCON](#)) includes a field for flushing ICCO. Setting [GCR_SCON.ccache_flush](#) to 1 performs a flush of ICCO's 16KB Data Cache RAM and the tag RAM. Set the [ICCO_INVALIDATE](#) register to 1 to invalidate the ICCO cache and force a cache flush. Read the [ICCO_CACHE_CTRL.ready](#) field until it returns 1 to determine when the flush is completed.

3.9 Instruction Cache Controller Registers

Refer to [Table 2-1: APB Peripheral Base Address Map](#) for the ICCO Base Peripheral Address.

Table 3-4: Instruction Cache Controller Register Addresses and Descriptions

Offset	Register Name	Access	Description
[0x0000]	ICCO_CACHE_ID	RO	Cache ID Register
[0x0004]	ICCO_MEM_SIZE	RO	Cache Memory Size Register
[0x0100]	ICCO_CACHE_CTRL	R/W	Clock Control Register
[0x0700]	ICCO_INVALIDATE	R/W	Power Management Register

Table 3-5: ICC Cache ID Register

ICC Cache ID Register				ICCO_CACHE_ID	[0x0000]
Bits	Name	Access	Reset	Description	
31:16	-	RO	-	Reserved for Future Use Do not modify this field.	
15:10	cchid	RO	-	Cache ID Returns the Cache ID for this Cache instance.	
9:6	partnum	RO	-	Cache Part Number Returns the part number indicator for this Cache instance.	
5:0	relnum	RO	-	Cache Release Number Returns the release number for this Cache instance.	

Table 3-6: ICC Memory Size Register

ICC Memory Size Register				ICCO_MEM_SIZE	[0x0004]
Bits	Name	Access	Reset	Description	
31:16	memsz	RO	-	Addressable Memory Size Indicates the size of addressable memory by this cache controller instance in 128KB units.	
15:0	cchsz	RO	-	Cache Size Returns the size of the cache RAM memory in 1KB units. 16: 16KB Cache RAM	

Table 3-7: ICC Cache Control Register

ICC Cache Control Register				ICCO_CACHE_CTRL	[0x0100]
Bits	Name	Access	Reset	Description	
31:16	-	R/W	-	Reserved for Future Use Do not modify this field.	
16	ready	RO	-	Ready This field is cleared by hardware anytime the cache as a whole is invalidated (including a Power On Reset event). Hardware automatically sets this field to 1 when the invalidate operation is complete and the cache is ready. 0: Cache Invalidate in process. 1: Cache is ready. <i>Note: While this field reads 0, the cache is bypassed and reads come directly from the line fill buffer.</i>	
15:1	-	R/W	-	Reserved for Future Use Do not modify this field.	
0	enable	R/W	0	Enable Set this field to 1 to enable the cache. Setting this field to 0 automatically invalidates the cache contents. When this cache is disabled, reads are handled by the line fill buffer. 0: Disable Cache 1: Enable Cache	

Table 3-8: ICC Invalidate Register

ICC Invalidate Register			ICCO_INVALIDATE		[0x0700]
Bits	Name	Access	Reset	Description	
31:0	-	WO	-	Invalidate Any write to this register of any value invalidates the cache.	

3.10 RAM Memory Management

This device has many features for managing the on-chip RAM. The on-chip RAM includes data RAM, instruction and data caches, and peripheral FIFOs.

3.10.1 On-Chip Cache Management

This device has an instruction cache controller for code or data from the internal flash. The cache can be enabled, disabled, and zeroized and the cache clock can be disabled by placing it in Light Sleep.

Setting `GCR_SCON.icco_flush` to 1 flushes the 16KB Cache Memory and the Tag RAM. .

3.10.2 RAM Zeroization

The GCR Memory Zeroize Control Register, `GCR_MEM_ZC`, allows clearing memory for firmware or security reasons. Zeroization writes all zeros to memory.

The following RAM memories can be zeroized:

- Data RAM
 - ◆ Data RAM is segmented into seven blocks, from Data RAM 0 to Data RAM 4.
 - ◆ Each Data RAM block is zeroizable individually.
- Internal Flash cache

3.10.3 RAM Low Power Modes

RAM can be placed in a low power mode, referred to as Light Sleep, using register `GCR_MEM_CTRL`, Memory Clock Control. Light Sleep gates off the clock to the RAM and makes the RAM unavailable for read/write operations. The RAM contents are retained during Light Sleep mode. Light Sleep is available for the internal Data RAM blocks as well as for the ICC0 cache RAM. Turning off Light Sleep mode for a memory enables Read/Write to that memory range.

RAM can also be shut down for power savings using the register `PWRSEQ_LPMEMSD`, RAM Shut Down Control. This conserves power by gating off the power and clock to the RAM. This invalidates the contents of the RAM and the RAM is not accessible until the RAM shutdown mode is disabled. When enabling a RAM partition from a shutdown state, the RAM contents are cleared.

3.11 Global Control Registers (GCR)

Refer to the *Peripheral Register Map* section for the Global Control Register (GCR) Base Address.

The General Control Registers are only reset on a System Reset or Power-On Reset. A Soft Reset or Peripheral Reset does not affect these registers.

Table 3-9: Global Control Registers, Offsets and Descriptions

Register Name	Offset	Access	Description
GCR_SCON	[0x0000]	R/W	System Control Register
GCR_RST0	[0x0004]	R/W	Reset Register 0
GCR_CLK_CTRL	[0x0008]	R/W	Clock Control Register
GCR_PM	[0x000C]	R/W	Power Management Register
GCR_PCKDIV	[0x0018]	R/W	Peripheral Clocks Divisor
GCR_PERCKCNO	[0x0024]	R/W	Peripheral Clocks Disable 0
GCR_MEM_CTRL	[0x0028]	R/W	Memory Clock Control
GCR_MEM_ZCTRL	[0x002C]	R/W	Memory Zeroize Register
GCR_SYS_STAT	[0x0040]	RO	System Status Flags
GCR_RST1	[0x0044]	R/W	Reset Register 1
GCR_PCLK_DIS	[0x0048]	R/W	Peripheral Clocks Disable 1
GCR_EVTEN	[0x004C]	R/W	Event Enable Register
GCR_REV	[0x0050]	RO	Revision Register
GCR_SYS_IE	[0x0054]	R/W	System Status Interrupt Enable

Table 3-10: System Control Register

System Control Register			GCR_SCON		[0x0000]
Bits	Name	Access	Reset	Description	
31:15	-	RO	-	Reserved for Future Use Do not modify this field.	
14	swd_dis	R/W	See Description	Serial Wire Debug Disable 0: JTAG SWD enabled. 1: JTAG SWD disabled. <i>Note: If the ARM ICE is unlocked (GCR_SYS_ST.icelock=0), the reset value for this bit is 0. If the ARM ICE is locked (GCR_SYS_ST.icelock=1), the reset value for this bit is 1 and is not writable.</i>	
13:7	-	RO	-	Reserved for Future Use Do not modify this field.	
6	icc0_flush	R/W10	0	Instruction Cache Controller Flush Write 1 to flush the internal Flash cache. This bit is cleared by hardware when the flush is complete. 0: Flush not in process. 1: Write 1 to flush the code cache.	
5	fpu_dis	R/W	0	Floating Point Unit (FPU) Disable Set this field to 1 to disable the Cortex-M4 Floating Point Unit. 0: FPU enabled. 1: FPU disabled.	
4	flash_page_flip	RO	0	Flash Page Flip Flag Flips the bottom and top halves of the internal flash memory. This bit is controlled by hardware. Firmware should not change the state of this bit during normal operation. Any change to this bit flushes the instruction cache and the data cache 0: Physical layout matches logical layout 1: Top and Bottom halves flipped.	
3	-	R/W	-	Reserved for Future Use Do not modify this field.	

System Control Register			GCR_SCON		[0x0000]
Bits	Name	Access	Reset	Description	
2:1	sys_bys_arb	R/W	1	System Bus Arbitration Architecture This field selects the architecture used for arbitration of the system bus. The default setting of 1 is round robin arbitration. Setting this field to 0 sets the arbitration to fixed-burst. 0b00: Round-Robin Arbitration 0b01: Fixed-Burst Arbitration 0x10: Reserved 0x11: Reserved	
0	-	RO	-	Reserved for Future Use Do not modify this field.	

Table 3-11: Reset 0 Register

Reset 0 Register			GCR_RST0		[0x0004]
Bits	Name	Access	Reset	Description	
31	system	R/W10	0	System Reset This resets everything on the device except the AoD registers and the RAM retention. All other registers, peripherals, the CPU core and the watchdog timer are reset. This field is cleared by hardware when the reset is complete. 0: Reset complete. 1: Write 1 to perform a System Reset. <i>Refer to the Device Resets section for additional information.</i>	
30	periph	R/W10	0	Peripheral Reset Write 1 to perform a System Peripheral Reset. All peripherals are reset except for the GPIO and Watchdog Timer. 0: Reset complete. 1: Write 1 to perform the Peripheral reset. <i>Refer to the Device Resets section for additional information.</i>	
29	soft	R/W10	0	Soft Reset Write 1 to perform a Soft Reset. A soft reset performs a Peripheral Reset and also resets the GPIO peripheral. 0: Reset complete. 1: Write 1 to perform the Soft Reset. <i>Refer to the Device Resets section for additional information.</i>	
28:18	-	RO	-	Reserved for Future Use Do not modify this field.	
17	rtc	R/W10	0	RTC Reset Write 1 to reset the peripheral. This field is cleared by hardware when the peripheral reset is complete. 0: Reset complete. 1: Write 1 to reset the Real-Time Clock.	
16	i2c0	R/W10	0	I2C0 Reset Write 1 to reset the peripheral. This field is cleared by hardware when the peripheral is reset. 0: Reset complete. 1: Write 1 to reset the I ² C0 peripheral.	
15	-	RO	0	Reserved for Future Use Do not modify this field.	

Reset 0 Register			GCR_RST0		[0x0004]
Bits	Name	Access	Reset	Description	
14	spi1	R/W10	0	SPI1 Reset Write 1 to reset the peripheral. This field is cleared by hardware when the peripheral is reset. 0: Reset complete. 1: Write 1 to reset the SPI1 peripheral.	
13	spi0	R/W10	0	SPI0 Reset Write 1 to reset the peripheral. This field is cleared by hardware when the peripheral is reset. 0: Reset complete. 1: Write 1 to reset the SPI0 peripheral.	
12	uart1	R/W10	0	UART1 Reset Write 1 to reset the peripheral. This field is cleared by hardware when the peripheral is reset. 0: Reset complete. 1: Write 1 to reset the UART1 peripheral.	
11	uart0	R/W10	0	UART0 Reset Write 1 to reset the peripheral. This field is cleared by hardware when the peripheral is reset. 0: Reset complete. 1: Write 1 to reset the UART0 peripheral.	
10:8	-	RO	0	Reserved for Future Use Do not modify this field.	
7	timer2	R/W10	0	Timer2 Reset Write 1 to reset the peripheral. This field is cleared by hardware when the peripheral is reset. 0: Reset complete. 1: Write 1 to reset Timer 2 (TMR2).	
6	timer1	R/W10	0	Timer1 Reset Write 1 to reset the peripheral. This field is cleared by hardware when the peripheral is reset. 0: Reset complete. 1: Write 1 to reset Timer 1 (TMR1).	
5	timer0	R/W10	0	Timer0 Reset Write 1 to reset the peripheral. This field is cleared by hardware when the peripheral is reset. 0: Reset complete. 1: Write 1 to reset Timer 0 (TMR0).	
4:3	-	RO	0	Reserved for Future Use Do not modify this field.	
2	gpio0	R/W10	0	GPIO0 Reset Write 1 to reset the GPIO. This field is cleared by hardware when the peripheral is reset. 0: Reset complete. 1: Write 1 to reset the GPIO.	
1	wdt0	R/W10	0	Watchdog Timer 0 Reset Write 1 to reset Watchdog Timer 0 (WDT0). This field is cleared by hardware when the peripheral is reset. 0: Reset complete. 1: Write 1 to reset Watchdog Timer 0 (WDT0).	

Reset 0 Register			GCR_RST0		[0x0004]
Bits	Name	Access	Reset	Description	
0	dma	R/W10	0	Standard DMA Reset Write 1 to reset the peripheral. This field is cleared by hardware when the peripheral is reset. 0: Reset complete. 1: Write 1 to reset the Standard DMA (DMA).	

Table 3-12: System Clock Control Register

System Clock Control Register			GCR_CLK_CTRL		[0x0008]
Bits	Name	Access	Reset	Description	
31:30	-	RO	0b11	Reserved for Future Use Do not modify this field.	
29	lirc8k_rdy	RO	0	8kHz Internal Oscillator Ready Status On POR or System Reset this field reads 0 until the 8kHz low-frequency oscillator is ready for use. 0: Not ready or not enabled. 1: Oscillator ready.	
28:27	-	RO	0	Reserved for Future Use Do not modify this field.	
26	hirc_rdy	RO	1	High-Frequency Internal Oscillator Ready On POR or System Reset this field reads 0 until the HIRC oscillator is ready. If the HIRC is disabled (<i>GCR_CLK_CTRL.hirc_en</i> = 0) and firmware enables it (<i>GCR_CLK_CTRL.hirc_en</i> = 1), reading this field will return 0 until the HIRC is ready for use. 0: Oscillator not ready or not enabled. 1: Oscillator ready.	
25	x32k_rdy	RO	1	32.768kHz External Oscillator Ready Status On POR or System Reset this field reads 1 until the oscillator is ready. This field is set to 1 by hardware if the <i>GCR_CLK_CTRL.x32k_en</i> bit is set to 0. 0: Oscillator not ready. 1: Oscillator ready.	
24:19	-	RO	-	Reserved for Future Use Do not modify this field.	
18	hirc_en	R/W	1	High-Frequency Internal Oscillator (HIRC) Enable Write 0 to disable the internal HIRC. When this field is set to 0, hardware automatically clears the <i>GCR_CLK_CTRL.hirc_rdy</i> bit. 0: Set to 0 to disable the HIRC. 1: Set to 1 to enable the HIRC.	
17	x32k_en	R/W	0	32.768kHz External Oscillator Enable Write 1 to enable the 32kHz external oscillator. After setting this field to 1, hardware automatically clears <i>GCR_CLK_CTRL.x32k_rdy</i> = 0. When the <i>GCR_CLK_CTRL.x32k_rdy</i> bit reads 1, the 32.768kHz oscillator is ready. 0: Disable the 32kHz oscillator (POR default). 1: Enable the 32kHz oscillator.	
16:14	-	RO	-	Reserved for Future Use Do not modify this field.	

System Clock Control Register			GCR_CLK_CTRL		[0x0008]
Bits	Name	Access	Reset	Description	
13	clkrdy	R/W	0	System Oscillator Clock Source Ready When the System Oscillator source is modified by changing the <i>GCR_CLK_CTRL.clksel</i> field, the <i>clkrdy</i> field reads 0 until the switchover completes. This field is set to 1 by hardware when the selected clock source is ready. 0: The selected System Oscillator is not ready for use. 1: The selected clock source (<i>GCR_CLK_CTRL.clksel</i>) is the active System Oscillator.	
12	-	RO	-	Reserved for Future Use Do not modify this field.	
11:9	clksel	R/W	0	System Oscillator Source Select Selects the system oscillator (SYSOSC) source used to generate the system clock (SYSCLK). Modifying this field immediately clears the <i>clkrdy</i> field. 0: High-Frequency Internal Oscillator (HIRC) 1: Reserved for Future Use 2: Reserved for Future Use 3: 8kHz Low-Frequency Internal Oscillator 4: Reserved for Future Use 5: Reserved for Future Use 6: 32.768kHz External Oscillator 7: Reserved for Future Use	
8:6	psc	R/W	0	System Oscillator Prescaler Sets the divider for generating the System Clock (SYSCLK) from the selected System Oscillator (SYSOSC) as shown in the following equation: $f_{SYSCLK} = \frac{f_{SYSOSC}}{2^{psc}}$	
5:0	-	R/W	8	Reserved for Future Use Do not modify this field.	

Table 3-13: Power Management Register

Power Management Register			GCR_PM		[0x000C]
Bits	Name	Access	Reset	Description	
31:16	-	RO	0	Reserved for Future Use Do not modify this field.	
15	hircmmpd	R/W	0	96MHz DEEPSLEEP Auto Off When set, the High-Frequency Internal Oscillator is automatically powered off when in DEEPSLEEP mode. This field must be set to 1 prior to entering DEEPSLEEP mode for the MAX32660 family of parts. 1: 96MHz Oscillator is powered off in DEEPSLEEP mode. <i>Note: This field must be set to 1 prior to entering DEEPSLEEP mode for the MAX32660 family of parts. If this field is not set to 1, the device will not enter DEEPSLEEP.</i>	
14:6	-	R/W	0	Reserved for Future Use Do not modify this field.	
5	rtcwk_en	R/W	0	RTC Alarm Wakeup Enable When this field is set to 1, If the RTC is configured to generate a wakeup alarm, an RTC wakeup event causes the MAX32660 to exit all low power modes and transition directly to ACTIVE mode. Refer to section 8.2.3 RTC Wakeup From DEEPSLEEP/BACKUP Power Modes for details on enabling the RTC as a wakeup source. 0: Wakeup from RTC disabled, regardless of the RTC alarm configuration. 1: Wakeup from RTC alarm enabled.	

Power Management Register			GCR_PM		[0x000C]
Bits	Name	Access	Reset	Description	
4	gpiowk_en	R/W	0	GPIO Wakeup Enable When enabled, activity on any GPIO pin configured for wakeup causes an exit from SLEEP and DEEPSLEEP low power modes and transitions directly to ACTIVE mode. 0: Wakeup from GPIO disabled. 1: Wakeup from GPIO enabled.	
3	-	RO	0	Reserved for Future Use Do not modify this field.	
2:0	mode	R/W	0	Operating Mode Configures the current operating mode for the device. 0: ACTIVE mode 4: BACKUP Low Power Mode 6: Shutdown Mode <i>All other values are Reserved for Future Use.</i>	

Table 3-14: Peripheral Clock Divisor Register

Peripheral Clocks Divisor Register			GCR_PCKDIV		[0x0018]
Bits	Name	Access	Reset	Description	
31:2	-	R/W	0	Reserved for Future Use Do not modify this field.	
1:0	aoncd	R/W	0	Always-on Domain (AoD) Clock Divisor 0: $PCLK/4$ 1: $PCLK/8$ 2: $PCLK/16$ 3: $PCLK/32$	

Table 3-15: Peripheral Clock Disable 0 Register

Peripheral Clocks Disable 0 Register			GCR_PERCKCNO		[0x0024]
Bits	Name	Access	Reset	Description	
31:29	-	R/W	0	Reserved for Future Use Do not modify this field.	
28	i2c1d	R/W	0	I2C1 Clock Disable Write 1 to disable, set to 0 to enable. 0: Peripheral Enabled 1: Peripheral Disabled	
27:18	-	R/W	0	Reserved for Future Use Do not modify this field.	
17	timer2d	R/W	0	Timer2 Clock Disable Write 1 to disable, set to 0 to enable. 0: Peripheral Enabled 1: Peripheral Disabled	
16	timer1d	R/W	0	Timer1 Clock Disable Write 1 to disable, set to 0 to enable. 0: Peripheral Enabled 1: Peripheral Disabled	

Peripheral Clocks Disable 0 Register			GCR_PERCKCNO		[0x0024]
Bits	Name	Access	Reset	Description	
15	timer0d	R/W	0	Timer0 Clock Disable Write 1 to disable, set to 0 to enable. 0: Peripheral Enabled 1: Peripheral Disabled	
14	-	R/W	0	Reserved for Future Use Do not modify this field.	
13	i2c0d	R/W	0	I2C0 Clock Disable Write 1 to disable, set to 0 to enable. 0: Peripheral Enabled 1: Peripheral Disabled	
12:11	-	RO	-	Reserved for Future Use Do not modify this field.	
10	uart1d	R/W	0	UART1 Clock Disable Write 1 to disable, set to 0 to enable. 0: Peripheral Enabled 1: Peripheral Disabled	
9	uart0d	R/W	0	UART0 Clock Disable Write 1 to disable, set to 0 to enable. 0: Peripheral Enabled 1: Peripheral Disabled	
8	-	R/W	0	Reserved for Future Use Do not modify this field.	
7	spi1d	R/W	0	SPI1 Clock Disable Write 1 to disable, set to 0 to enable. 0: Peripheral Enabled 1: Peripheral Disabled	
6	spi0d	R/W	0	SPI0 Clock Disable Write 1 to disable, set to 0 to enable. 0: Peripheral Enabled 1: Peripheral Disabled	
5	dmad	R/W	0	Standard DMA Clock Disable Write 1 to disable, set to 0 to enable. 0: Peripheral Enabled 1: Peripheral Disabled	
4:1	-	R/W	0	Reserved for Future Use Do not modify this field.	
0	gpio0d	R/W	0	GPIO0 Port and Pad Logic Clock Disable Write 1 to disable, set to 0 to enable. Disabling the GPIO Port and Pad Logic gates off the clock from the GPIO Port and the individual GPIO pads. 0: Peripheral Enabled 1: Peripheral Disabled	

Table 3-16: Memory Clock Control Register

Memory Clock Control Register			GCR_MEM_CTRL		[0x0028]
Bits	Name	Access	Reset	Description	
31:13	-	R/W	0	Reserved for Future Use Do not modify this field.	

Memory Clock Control Register			GCR_MEM_CTRL		[0x0028]
Bits	Name	Access	Reset	Description	
12	icache_ls	R/W	0	<p>ICCO Cache RAM Light Sleep Enable</p> <p>Set this field to 1 to enable Light Sleep mode for the Internal Cache Controller's 16KB RAM. In Light Sleep mode, the Cache RAM contents are retained but the Cache Memory cannot be read.</p> <p>0: ICCO Cache RAM is Active. 1: ICCO Cache RAM is in Light Sleep mode.</p> <p><i>Note: Any reset event that results in a Cache RAM reset will reset the Cache RAM regardless of the state of this field.</i></p>	
11	ram3_ret		0	<p>System RAM 3 Data Retention Enable</p> <p>Set this field to 1 to enable Data Retention for System RAM 3 (0x2001 0000 - 0x2001 7FFF). In Light Sleep mode, the System RAM contents are retained but the Data Memory cannot be read.</p> <p>0: System RAM 3 is Active. 1: System RAM 3 is in Light Sleep mode.</p> <p><i>Note: Any reset event that results in RAM reset will reset the RAM regardless of the state of this field.</i></p> <p><i>Note: To put RAM in a shutdown mode that removes all power from the RAM and reset the RAM contents, use the register PWRSEQ_LPMEMSD "Low Power Mode RAM Shut Down Control".</i></p>	
10	ram2_ret		0	<p>System RAM 2 Data Retention Enable</p> <p>Set this field to 1 to enable Data Retention for System RAM 2 (0x2000 8000 - 0x2000 FFFF). In Light Sleep mode, the System RAM contents are retained but the Data Memory cannot be read.</p> <p>0: System RAM 2 is Active. 1: System RAM 2 is in Light Sleep mode.</p> <p><i>Note: Any reset event that results in RAM reset will reset the RAM regardless of the state of this field.</i></p> <p><i>Note: To put RAM in a shutdown mode that removes all power from the RAM and reset the RAM contents, use the register PWRSEQ_LPMEMSD "Low Power Mode RAM Shut Down Control".</i></p>	
9	ram1_ret		0	<p>System RAM 1 Data Retention Enable</p> <p>Set this field to 1 to enable Data Retention for System RAM 1 (0x2000 4000 - 0x2000 7FFF). When data retention is enabled, the RAM contents are maintained.</p> <p>0: System RAM 1 is Active. 1: System RAM 1 is in Light Sleep mode.</p> <p><i>Note: Any reset event that results in RAM reset will reset the RAM regardless of the state of this field.</i></p> <p><i>Note: To put RAM in a shutdown mode that removes all power from the RAM and reset the RAM contents, use the register PWRSEQ_LPMEMSD "Low Power Mode RAM Shut Down Control".</i></p>	

Memory Clock Control Register			GCR_MEM_CTRL		[0x0028]
Bits	Name	Access	Reset	Description	
8	ram0_ret		0	System RAM 0 Data Retention Enable Set this field to 1 to enable Data Retention for System RAM 0 (0x2000 0000 - 0x2000 3FFF). In Light Sleep mode, the System RAM contents are retained but the Data Memory cannot be read. 0: System RAM 0 is Active. 1: System RAM 0 is in Light Sleep mode. <i>Note: Any reset event that results in RAM reset will reset the RAM regardless of the state of this field.</i> <i>Note: To put RAM in a shutdown mode that removes all power from the RAM and reset the RAM contents, use the register PWRSEQ_LPMEMSD "Low Power Mode RAM Shut Down Control".</i>	
7:3	-	R/W	0	Reserved for Future Use Do not modify this field.	
2:0	fws	R/W	5	Flash Wait States Number of wait-states (system clock cycles) for internal flash read access. Refer to section Flash Wait States for details on the number of required Flash Wait States at different operating frequencies. 0: Reserved for Future Use. 1: 1 Wait State (1 System Clock) 2: 2 Wait States 3: 3 Wait States 4: 4 Wait States (Minimum value for HIRC=System Clock=96MHz) 5: 5 Wait States (Reset default) 6: 6 Wait States 7: 7 Wait States	

Table 3-17: Memory Zeroization Control Register

Memory Zeroization Control Register			GCR_MEM_ZCTRL		[0x002C]
Bits	Name	Access	Reset	Description	
31:2	-	RO	0	Reserved for Future Use Do not modify this field.	
1	icache_zero	R/W10	0	Internal Cache Data and Tag RAM Zeroization Write 1 to clear the Internal Cache Controller's 16KB data cache and the associated Tag RAM. The bit is set to 0 by hardware when the operation is complete. 0: Operation complete 1: Zeroize memory	
0	sram_zero	R/W10	0	System Data RAM Zeroization Write 1 to clear the contents of the Internal Data RAM, all ranges. The bit is set to 0 by hardware when the operation is complete. 0: Operation complete 1: Zeroize memory	

Table 3-18: System Status Flag Register

System Status Flag Register			GCR_SYS_STAT		[0x0040]
Bits	Name	Access	Reset	Description	
31:1	-	RO	0	Reserved for Future Use Do not modify this field.	

System Status Flag Register				GCR_SYS_STAT	[0x0040]
Bits	Name	Access	Reset	Description	
0	icelock	RO	0	ARM ICE Lock Status Flag This field is set in the factory and if set to 1 disables JTAG SWD access to the device. 0: ARM ICE is unlocked and JTAG debug may be enabled using GCR_SCON.swd_dis field. 1: ARM ICE is locked (disabled), JTAG SWD is disabled and the GCR_SCON.swd_dis is read-only.	

Table 3-19: Reset Register 1

Reset Register 1				GCR_RST1	[0x0044]
Bits	Name	Access	Reset	Description	
31:1	-	R/W1O	0	Reserved for Future Use Do not modify this field.	
0	i2c1	R/W1O	0	I2C1 Reset Write 1 to reset the peripheral state and reset the peripheral registers. When complete this field will read 0.	

Table 3-20: Peripheral Clock Disable Register 1

Peripheral Clock Disable Register 1				GCR_PCLK_DIS	[0x0048]
Bits	Name	Access	Reset	Description	
31:4	-	R/W	0	Reserved for Future Use Do not modify this field.	
3	flcd	R/W	0	Flash Controller Disable Write 1 to disable the clock to the Flash Controller. 0: Flash Controller Clock Enabled 1: Flash Controller Clock Disabled.	
2:0	-	R/W	0	Reserved for Future Use Do not modify this field.	

Table 3-21: Event Enable Register

Event Enable Register				GCR_EVTEN	[0x004C]
Bits	Name	Access	Reset	Description	
31:2	-	RO	-	Reserved for Future Use Do not modify this field.	
1	rx_evt	R/W	0	RX Event Enabled Set this field to 1 to enable generation of an RXEV event to wake the CPU from a Wait for Event (WFE) sleep state. 0: RX Event is disable. 1: RX Event is enabled.	
0	dmaevent	R/W	0	DMA CTZ Event Wake-Up Enable When set, when a DMA block transfer is completed and the DMA counter DMA_n.CNT.cnt = 0, a CTZ DMA event occurs which generates an RXEV to wake-up the device from a low power mode entered with a WFE instruction.	

Table 3-22: Revision Register

Revision Register			GCR_REV		[0x0050]
Bits	Name	Access	Reset	Description	
31:16	-	RO	-	Reserved for Future Use Do not modify this field.	
15:0	revision	RO	N/A	Maxim Integrated Chip Revision This field reads the chip revision id (A1), ascii encoded. Revision 'A1': 0x4131	

Table 3-23: System Status Interrupt Enable Register

System Status Interrupt Enable			GCR_SYS_IE		[0x0054]
Bits	Name	Access	Reset	Description	
31:1	-	RO	-	Reserved for Future Use Do not modify this field.	
0	iceulie	R/W	0	ARM ICE Unlocked Interrupt Enable Set this bit to enable a PWRSEQ IRQ if the ARM ICE is unlocked. 0: Interrupt disabled 1: Interrupt enabled	

3.12 System Initialization Registers

Refer to the [Peripheral Register Map](#) section for the System Initialization Register (SIR) Base Address.

Table 3-24: System Initialization Registers, Offsets and Descriptions

Register Name	Offset	Access	Description
SIR_STAT	[0x0000]	RO	System Initialization Status Register
SIR_ADDR_ER	[0x0004]	RO	System Initialization Address Error Register

Table 3-25: Function Control Register 0

System Initialization Status Register			SIR_STAT		[0x0000]
Bits	Name	Access	Reset	Description	
31:2	-	RO	-	Reserved for Future Use Do Not Modify	
1	cfg_err	RO	See Description	Configuration Error Flag This field is set by hardware during reset if an error in the device configuration is detected. 0: Filter disabled 1: Filter enabled	
0	cfg_valid	RO	See Description	Configuration Valid Flag This field is set to 1 by hardware during reset if the device configuration is valid. 0: Configuration Invalid 1: Configuration Valid	

Table 3-26: System Initialization Address Error Register

System Initialization Status Register			SIR_ADDR_ER		[0x0000]
Bits	Name	Access	Reset	Description	
31:0	addr	RO	-	Configuration Error Address If the <i>SIR_STAT.cfg_err</i> field is set to 1. The value in this register is the address of the configuration failure in the information block.	

3.13 Function Control Registers

Refer to the [Peripheral Register Map](#) section for the Function Control Register (FCR) Base Address.

Table 3-27: Function Control Registers, Offsets and Descriptions

Register Name	Offset	Access	Description
FCR_REG0	[0x0000]	R/W	Function Control Register 0

Table 3-28: Function Control Register 0

Function Control Register 0			FCR_REG0		[0x0000]
Bits	Name	Access	Reset	Description	
31:24	-	RO	-	Reserved for Future Use Do Not Modify	
23	i2c1_scl_filter_en	R/W	0	I2C1 SCL Filter Enable 0: Filter disabled 1: Filter enabled	
22	i2c1_sda_filter_en	R/W	0	I2C1 SDA Filter Enable 0: Filter disabled 1: Filter enabled	
21	i2c0_scl_filter_en	R/W	0	I2C0 SCL Filter Enable 0: Filter disabled 1: Filter enabled	
20	i2c0_sda_filter_en	R/W	0	I2C0 SDA Filter Enable 0: Filter disabled 1: Filter enabled	
19:0	-	R/W	-	Reserved for Future Use Do Not Modify	

3.14 Power Supply Monitoring

MAX32660 has a power monitor that monitors the external supply voltages during operation. The following power supplies are monitored:

- V_{CORE} (VCORE) Supply Voltage, CPU Core
- V_{DD} (VDD) Supply Voltage

Each of these supplies has a dedicated power monitor setting in the Power Sequencer Low Power Voltage Control Register, [PWRSEQ_LP_CTRL](#). When the corresponding power monitor is enabled, the input voltage pin is constantly monitored. If the voltage drops below the trigger threshold, all registers and peripherals in that power domain are reset. This improves reliability and safety by guarding against a low voltage condition corrupting the contents of the registers and the device state. Disabling a power monitor risks data corruption of internal registers and corruption of the device state should the input voltage drop below the safe minimum value.

V_{CORE} has a power fail monitor. When enabled, if the power supply drops below the power fail reset voltage the entire device goes into a Power-On Reset.

Refer to the MAX32660 datasheet for the trigger threshold value and power fail reset voltage. When the power supply monitor is tripped, a Power Fail Warning Interrupt is triggered.

3.15 Power Sequencer Registers

Refer to the [Peripheral Register Map](#) section for the Power Sequencer Register (PWRSEQ) Base Address.

Table 3-29: Power Sequencer Low Power Control Registers, Offsets, Access and Descriptions

Register Name	Offset	Access	Reset	Description
PWRSEQ_LP_CTRL	[0x0000]	R/W	POR	Low Power Voltage Control Register
PWRSEQ_LP_WAKEFL	[0x0004]	R/W	POR	Low Power Mode Wakeup Flags for GPIO0
PWRSEQ_LPWK_EN	[0x0008]	R/W	POR	GPIO0 Wakeup Enable
PWRSEQ_LPMEMSD	[0x0040]	R/W	POR	RAM Shut Down Control

Table 3-30: Low Power Voltage Control Register

Low Power Voltage Control Register			PWRSEQ_LP_CTRL		[0x0000]
Bits	Name	Access	Reset	Description	
31:26	-	R/W	0	Reserved for Future Use Do not modify this field.	
25	vddio_por_dis	R/W	0	V_{DDIO} Power-On-Reset Monitor Disable Set this field to 1 to disable the V _{DDIO} POR monitor. 0: V _{DDIO} POR Enabled 1: V _{DDIO} POR Disabled	
24:21	-	R/W	0	Reserved for Future Use Do not modify this field.	
20	vcore_svm_dis	R/W	0	V_{CORE} Supply Voltage Monitor Disable Set this field to 1 to disable the V _{CORE} SVM. 0: V _{CORE} SVM Enabled 1: V _{CORE} SVM Disabled	
19:17	-	R/W	0	Reserved for Future Use Do not modify this field.	
16	ldo_dis	R/W	See Description	LDO Disable This field initializes to 1 on a Power-On Reset until the hardware determines if an external power source is connected to the V _{CORE} pin. If no power supply is connected, this bit is set to 0 by the hardware. If a power supply is connected to V _{CORE} , the bit remains set to 1. Set this field to 1 to manually disable the LDO. 0: LDO Enabled. 1: LDO Disabled. Default after a POR.	
15:13	-	R/W	0	Reserved for Future Use Do not modify this field.	

Low Power Voltage Control Register			PWRSEQ_LP_CTRL		[0x0000]
Bits	Name	Access	Reset	Description	
12	vcore_por_dis	R/W	1	V_{CORE} POR Disable for DEEPSLEEP and BACKUP Mode Setting this bit to 1 blocks the Power-On-Reset signal to the core when the device is in DEEPSLEEP and BACKUP mode operation. Disconnecting the POR signal from the core during DEEPSLEEP and BACKUP modes prevents the core from detecting a POR event while the device is in DEEPSLEEP or BACKUP mode. 0: POR signal is connected to the core during DEEPSLEEP and BACKUP mode. 1: POR signal is not connected to the core during DEEPSLEEP and BACKUP mode.	
11	bg_off	R/W	1	Band Gap Disable for DEEPSLEEP and BACKUP Mode Setting this field to 1 powers off the Bandgap during DEEPSLEEP and BACKUP mode. 0: System Bandgap (SVM) is on in DEEPSLEEP and BACKUP modes 1: System Bandgap (SVM) is off in DEEPSLEEP and BACKUP modes.	
10	fast_wk_en	R/W	0	Fast Wakeup Enable for DEEPSLEEP Mode Set to 1 to enable fast wakeup from DEEPSLEEP mode. When enabled, the system exits DEEPSLEEP mode faster by: <ul style="list-style-type: none"> • Bypassing the 8kHz RO warmup • Reducing the warmup time for the High-Frequency Internal Oscillator. • Reducing the warmup time for the LDO. 0: Fast Wakeup Mode Disabled 1: Fast Wakeup Mode Enabled	
9	-	R/W	0	Reserved for Future Use	
8	retreg_en	R/W	1	RAM Retention Regulator Enable for BACKUP Mode This field selects the source used to retain the RAM contents during BACKUP mode operation. Setting this field to 0 sets the V _{DD} supply for RAM retention during BACKUP mode and disables the RAM retention regulator. 0: RAM retention regulator disabled, the V _{DD} supply is used to retain the state of the internal SRAM as configured by the <i>PWRSEQ_LP_CTRL.ramret_sel[3:0]</i> fields. 1: RAM retention regulator enabled. RAM retention in BACKUP mode is configured with the <i>PWRSEQ_LP_CTRL.ramret_sel[3:0]</i> fields.	
7	-	R/W	0	Reserved for Future Use Do not modify this field.	
6	vcore_det_bypass	R/W	0	Bypass V_{CORE} External Supply Detection Set this field to 1 if the system runs from a single supply only and V _{CORE} is not connected to an external supply. Bypassing the hardware detection of an external supply on V _{CORE} enables a faster wakeup time. 0: V _{CORE} External Supply Detection Enabled. 1: V _{CORE} External Supply Detection Disabled. <i>Note: This field must always be set to 0 if an external supply is connected to V_{CORE}.</i>	

Low Power Voltage Control Register			PWRSEQ_LP_CTRL		[0x0000]
Bits	Name	Access	Reset	Description	
5-4	ovr	R/W	2	<p>Output Voltage Range for Internal Regulator Set these bits to control the output voltage of the internal regulator allowing selection of the internal core operating voltage and the frequency of the internal high speed oscillator. On Power-On-Reset, this field defaults to 1.1V output \pm 10% with the $f_{INT_CLK} = 96MHz$.</p> <p>Note: If V_{CORE} is connected to an external supply voltage, this field should be modified only to set it to match the input voltage on V_{CORE}.</p> <p>Dual Supply Operation: 0b11: Reserved for Future Use 0b10: $V_{CORE} = 1.1V, f_{INTCLK}=96MHz$ 0b01: $V_{CORE} = 1.0V, f_{INTCLK}=48MHz$ 0b00: $V_{CORE} = 0.9V, f_{INTCLK}=24MHz$</p> <p>Single Supply Operation ($V_{CORE}=GND$) 0b11: Reserved for Future Use 0b10: $V_{LDO} = 1.1V, f_{INTCLK}=96MHz$ 0b01: $V_{LDO} = 1.0V, f_{INTCLK}=48MHz$ 0b00: $V_{LDO} = 0.9V, f_{INTCLK}=24MHz$</p>	
3	ramret_sel3	R/W	0	<p>System RAM 3 Data Retention Enable Set this field to 1 to enable Data Retention for System RAM 3, address range of 0x2001 0000 to 0x2001 7FFF.</p> <p>0: Data retention for System RAM 3 address space disabled. 1: Data retention for System RAM 3 address space enabled.</p>	
2	ramret_sel2	R/W	0	<p>System RAM 2 Data Retention Enable Set this field to 1 to enable Data Retention for System RAM 2, address range of 0x2000 8000 to 0x2000 FFFF.</p> <p>0: Data retention for System RAM 2 address space disabled. 1: Data retention for System RAM 2 address space enabled.</p>	
1	ramret_sel1	R/W	0	<p>System RAM 1 Data Retention Enable Set this field to 1 to enable Data Retention for System RAM 1, address range of 0x2000 4000 to 0x2000 7FFF.</p> <p>0: Data retention for System RAM 1 address space disabled. 1: Data retention for System RAM 1 address space enabled.</p>	
0	ramret_sel0	R/W	0	<p>System RAM 0 Data Retention Enable Set this field to 1 to enable Data Retention for System RAM 0, address range of 0x2000 0000 to 0x2000 3FFF.</p> <p>0: Data retention for System RAM 0 address space disabled. 1: Data retention for System RAM 0 address space enabled.</p>	

Table 3-31: Low Power Mode Wakeup Flags for GPIO0

Low Power Mode GPIO Wakeup Flags Register			PWRSEQ_LP_WAKEFL		[0x0004]
Bits	Name	Access	Reset	Description	
31:14	-	R/W1C	0	<p>Reserved for Future Use Do not modify this field.</p>	

Low Power Mode GPIO Wakeup Flags Register			PWRSEQ_LP_WAKEFL		[0x0004]
Bits	Name	Access	Reset	Description	
13:0	wakest	R/W1C	0	GPIO Pin Wakeup Status Flag When a GPIO pin transitions from low-to-high or high-to-low, the corresponding bit in this field is set. If the corresponding interrupt enable bit is set in <i>PWRSEQ_LPWK_EN</i> register and <i>GCR_PM.gpiowk_en</i> bit is set to 1, a PWRSEQ IRQ is generated to wake up the device from all low power modes to ACTIVE mode. <i>Note: To enable the device to wake up from a low power mode on a GPIO pin transition, first set the GCR GPIO wakeup enable field to 1 (GCR_PM.gpiowk_en = 1).</i>	

Table 3-32: Low Power Wakeup Enable for GPIO0 Register

Low Power Mode Wakeup Enable for GPIO0			PWRSEQ_LPWK_EN		[0x0008]
Bits	Name	Access	Reset	Description	
31:14	-	R/W	0	Reserved for Future Use Do not modify this field.	
13:0	wakeen	R/W	0	GPIO Pin Wakeup Interrupt Enable Write 1 to a bit to enable the corresponding GPIO0 pin to generate a PWRSEQ IRQ to wake up the device from any low power mode to ACTIVE mode. Set the <i>GCR_PM.gpiowk_en</i> bit to 1 to enable GPIO wake up events. A wake up occurs on any low-to-high or high-to-low transition on the corresponding GPIO0 pin. <i>Note: To enable the device to wake up from a low power mode on a GPIO pin transition, first set the global GPIO wakeup enable field, (GCR_PM.gpiowk_en = 1).</i>	

Table 3-33: RAM Shut Down Register

Low-Power Memory Shutdown Register			PWRSEQ_LPMEMSD		[0x0040]
Bits	Name	Access	Reset	Description	
31:4	-	RO	-	Reserved for Future Use Do not modify this field.	
3	sram3_off	R/W	0	System RAM 3 (0x2001 0000 - 0x2001 7FFF) Shut Down Write 1 to shut down power to System RAM 3 memory range. 0: System RAM 3 Powered On (Enabled) 1: System RAM 3 Powered Off (Disabled)	
2	sram2_off	R/W	0	System RAM 2 (0x2000 7FFF - 0x2000 FFFF) Shut Down Write 1 to shut down power to System RAM 2 memory range. 0: System RAM 2 Powered On (Enabled) 1: System RAM 2 Powered Off (Disabled)	
1	sram1_off	R/W	0	System RAM 1 (0x2000 3FFF - 0x2000 7FFF) Shut Down Write 1 to shut down power to System RAM 1 memory range. 0: System RAM 1 Powered On (Enabled) 1: System RAM 1 Powered Off (Disabled)	
0	sram0_off	R/W	0	System RAM 0 (0x2000 0000 – 0x2000 3FFF) Shut Down Write 1 to shut down power to System RAM 0 memory range. 0: System RAM 0 Powered On (Enabled) 1: System RAM 0 Powered Off (Disabled)	

4 Flash Controller

The MAX32660's Flash Controller is a peripheral that manages read, write, and erase accesses to the internal flash.

Features

- Up to 256KB total internal flash memory
 - ◆ 32 pages
 - ◆ 8,192 bytes per page
 - ◆ 2,048 words by 128 bits per page
- 128-bit data reads
- 32-bit or 128-bit write support
- Page erase and mass erase support
- Write Protection

4.1 Overview

The MAX32660 contains 256KB of internal flash memory for storing user application and data. The internal flash memory is programmable via the JTAG debug interface (in-system) or directly with user application code (in-application).

The flash is organized as an array of pages. Each page is 8,192 bytes per page. [Table 4-1, below](#), shows the start address and end address for the internal flash memory. The internal flash memory is mapped with a start address of 0x0000 0000 and an end address of 0x0003 FFFF for a total of 256KB.

Table 4-1: Internal Flash Memory Organization

Page Number	Size in Bytes	Start Address	End Address
1	8,192	0x0000 0000	0x0000 1FFF
2	8,192	0x0000 2000	0x0000 3FFF
3	8,192	0x0000 4000	0x0000 5FFF
4	8,192	0x0000 6000	0x0000 7FFF
5	8,192	0x0000 8000	0x0000 9FFF
...
8	8,192	0x0000 E000	0x0000 FFFF
9	8,192	0x0001 0000	0x0001 1FFF
...
31	8,192	0x0003 C000	0x0003 DFFF
32	8,192	0x0003 E000	0x0003 FFFF

4.2 Usage

The Flash Controller manages write and erase operations for internal flash memory and provides a lock mechanism to prevent unintentional writes to the internal flash. In-application and in-system programming, page erase and mass erase operations are supported.

4.2.1 Clock Configuration

The Flash Controller requires a 1MHz peripheral clock for operation. The input clock to the Flash Controller block is the system clock, f_{SYSCLK} . Use the Flash Controller clock divisor to generate $f_{FLC_CLK} = 1MHz$, as shown in [Equation 4-1](#),

below. For the 96MHz Relaxation Oscillator as the system clock, the `FLC_CLKDIV.clkdiv` field should be set to 96 (0x60). If another clock source is set as the system clock, this field must be adjusted to meet the target 1MHz for `fFLC_CLK`.

Equation 4-1: Flash Controller Clock Frequency

$$f_{FLC_CLK} = \frac{f_{SYSCLK}}{FLC_CLKDIV.clkdiv} = 1MHz$$

4.2.2 Lock Protection

The Flash Controller provides a locking mechanism to prevent accidental writes and erases. All write and erase operations require the `FLC_CTRL.unlock` field be set to 0x2 prior to starting the operation. Writing any other value to this field, `FLC_CTRL.unlock`, results in the flash remaining locked.

Note: If a write, page erase or mass erase operation is started and the unlock code was not set to 0x2, the flash controller hardware sets the access fail flag, `FLC_INTR.access_fail`, to indicate an access violation occurred.

4.2.3 Flash Write Width

The flash controller supports write widths of either 32-bits or 128-bits. Selection of the flash write width is controlled with the `FLC_CTRL.width` field and defaults to 128-bit width on all forms of reset. Setting `FLC_CTRL.width` to 1 selects 32-bit write widths.

In 128-bit width mode, the target address bits `FLC_ADDR[3:0]` are ignored resulting in 128-bit alignment. In 32-bit width mode, the target address bits `FLC_ADDR[1:0]` are ignored for 32-bit address alignment. If the desired target address is not 128-bit aligned (`FLC_ADDR[3:2] ≠ 0`), 32-bit width mode is required.

Table 4-2: Valid Addresses for 32-bit and 128-bit Internal Flash Writes

	FLC_ADDR[31:0]																																
Bit Number	31	30	29	28	27	26	25	24	23	22	21	20	19	18	17	16	15	14	13	12	11	10	9	8	7	6	5	4	3	2	1	0	
32-bit Write	0	0	0	0	0	0	0	0	0	0	0	0	0	0	x	x	x	x	x	x	x	x	x	x	x	x	x	x	x	x	x	0	0
128-bit Write	0	0	0	0	0	0	0	0	0	0	0	0	0	0	x	x	x	x	x	x	x	x	x	x	x	x	x	x	x	0	0	0	0

4.2.4 Flash Write

Perform the following steps to write to the internal flash memory:

1. If desired, enable flash controller interrupts by setting the `FLC_INTR.access_fail_ie` and `FLC_INTR.done_ie` bits.
2. Set the write field, `FLC_CTRL.width`, as described in *Flash Write Width*.
3. Set the `FLC_ADDR` register to a valid target address. Reference *Table 4-2*.
4. Set the data register or registers.
 - a. For 32-bit write width, set `FLC_DATA0` to the data to write.
 - b. For 128-bit write width, set `FLC_DATA3`, `FLC_DATA2`, `FLC_DATA1`, and `FLC_DATA0` to the data to write. `FLC_DATA3` is the most significant word and `FLC_DATA0` is the least significant word.
5. Set `FLC_CTRL.unlock` to 0x2 to unlock the internal flash.
6. Read the `FLC_CTRL.busy` bit until it returns 0.
7. Start the flash write, set `FLC_CTRL.write` to 1 and this field is automatically cleared by the Flash Controller when the write operation is finished.
8. `FLC_INTR.done` is set by hardware when the write completes and if an error occurred, the `FLC_INTR.access_fail` flag is set. These bits generate a flash IRQ if the interrupt enable bits are set.

4.2.5 Page Erase

Perform the following to erase a page of internal flash memory:

1. If desired, enable flash controller interrupts by setting the *FLC_INTR.access_fail_ie* and *FLC_INTR.done_ie* bits.
2. Set the *FLC_ADDR* register to a page address to erase. *FLC_ADDR*[12:0] are ignored by the Flash Controller to ensure the address is page aligned. Refer to Table 4-3 for the valid page aligned addresses for the internal flash memory.
3. Set *FLC_CTRL.unlock* to 0x2 to unlock the internal flash.
4. Read the *FLC_CTRL.busy* bit until it returns 0.
5. Set *FLC_CTRL.erase_code* to 0x55 for page erase.
6. Set *FLC_CTRL.page_erase* to 1 to start the page erase operation.
7. The *FLC_CTRL.busy* bit is set by the flash controller while the page erase is in progress and the *FLC_CTRL.page_erase* and *FLC_CTRL.busy* are cleared by the flash controller when the page erase is complete.
8. *FLC_INTR.done* is set by hardware when the page erase completes and if an error occurred, the *FLC_INTR.access_fail* flag is set. These bits generate a flash IRQ if the interrupt enable bits are set.

Table 4-3: Page Boundary Address Range for Page Erase Operations

	FLC_ADDR[31:0]																																	
	31	30	29	28	27	26	25	24	23	22	21	20	19	18	17	16	15	14	13	12	11	10	9	8	7	6	5	4	3	2	1	0		
Page Aligned Address	0	0	0	0	0	0	0	0	0	0	0	0	0	0	x	x	x	x	x	0	0	0	0	0	0	0	0	0	0	0	0	0	0	0

4.2.6 Mass Erase

Mass erase clears the internal flash memory. This operation requires the JTAG debug port to be enabled to perform the operation. If the JTAG debug port is not enabled a mass erase operation cannot be performed. Perform the following steps to mass erase the internal flash:

16. Set *FLC_CTRL.unlock* to 0x2 to unlock the internal flash.
17. Read the *FLC_CTRL.busy* bit until it returns 0.
18. Set *FLC_CTRL.erase_code* to 0xAA for mass erase.
19. Set *FLC_CTRL.mass_erase* to 1 to start the mass erase operation.
20. The *FLC_CTRL.busy* bit is set by the flash controller while the mass erase is in progress and the *FLC_CTRL.mass_erase* and *FLC_CTRL.busy* are cleared by the flash controller when the mass erase is complete.
21. *FLC_INTR.done* is set by the flash controller when the mass erase completes. If an error occurred, the *FLC_INTR.access_fail* flag is set. These bits generate a flash controller IRQ if the interrupt enable bits are set.

Note: Mass erase requires the JTAG debug port to be enabled, if the JTAG debug port is disabled on the device an access fail error is generated (*FLC_INTR.access_fail* = 1).

4.3 Flash Controller Registers

Table 4-4: Flash Controller Registers, Offsets, Access and Descriptions

Register Name	Offset	Access	Description
<i>FLC_ADDR</i>	[0x0000]	R/W	Flash Controller Address Pointer Register
<i>FLC_CLKDIV</i>	[0x0004]	R/W	Flash Controller Clock Divisor Register
<i>FLC_CTRL</i>	[0x0008]	R/W	Flash Controller Control Register
<i>FLC_INTR</i>	[0x0024]	R/W1C	Flash Controller Interrupt Register
<i>FLC_DATA0</i>	[0x0030]	R/W	Flash Controller Data Register 0
<i>FLC_DATA1</i>	[0x0034]	R/W	Flash Controller Data Register 1

Register Name	Offset	Access	Description
FLC_DATA2	[0x0038]	R/W	Flash Controller Data Register 2
FLC_DATA3	[0x003C]	R/W	Flash Controller Data Register 3

Table 4-3. Flash Controller Address Pointer Register

Flash Address Register			FLC_ADDR	[0x00]
Bits	Name	Access	Reset	Description
31:0	addr	R\W	0	Flash Address This field contains the target address for a write operation. A valid internal flash memory address is required for all write operations. The reset default is always address 0x00000000.

Table 4-4. Flash Controller Clock Divisor Register

Flash Controller Clock Divisor Register			FLC_CLKDIV	[0x04]
Bits	Name	Access	Reset	Description
31:8	-	RO	-	Reserved for Future Use Do not modify.
7:0	clkdiv	R\W	0x60	Flash Controller Clock Divisor The system clock is divided by the value in this field to generate the FLC peripheral clock, f_{FLC_CLK} . The FLC peripheral clock must equal 1MHz. The default on all forms of reset is 96 (0x60), resulting in $f_{FLC_CLK} = 1\text{MHz}$. If the OVR is changed, this field must be updated to match the divisor for the HIRC oscillator to achieve $f_{FLC_CLK} = 1\text{MHz}$.

Table 4-5. Flash Controller Control Register

Flash Controller Control Register			FLC_CTRL	[0x08]
Bits	Name	Access	Reset	Description
31:28	unlock_code	R\W	0	Flash Unlock Write the unlock code, 0x2, prior to any flash write or erase operation to unlock the Flash. Writing any other value to this field locks the internal flash. 0x2: Flash unlock code
27:26	-	RO	-	Reserved for Future Use Do not modify.
25	lve	R/W	1	Low Voltage Enable Set this field to 1 to enable low voltage operation for the flash memory. Refer to 3.1 Core Operating Voltage Range Selection for detailed usage information on this setting. 0: Low voltage operation disabled (Default). 1: Low voltage operation enabled. <i>Note: The PWRSEQ_LP_CTRL.ovr field must be set to 0b00 prior to setting this field to 1.</i>

Flash Controller Control Register			FLC_CTRL		[0x08]
Bits	Name	Access	Reset	Description	
24	busy	RO	0	Flash Busy Flag When this field is set, writes to all flash registers are ignored except for the FLC_INTR register. <i>Note: If the Flash Controller is busy (FLC_CTRL.busy = 1), reads, writes and erase operations are not allowed and result in an access failure (FLC_INTR.access_fail = 1).</i> 0: Flash idle 1: Flash busy	
23:16	-	RO	0	Reserved for Future Use Do not modify this field.	
15:8	erase_code	R\W	0	Erase Code Prior to an erase operation this field must be set to 0x55 for a page erase or 0xAA for a mass erase. The flash must be unlocked prior to setting the erase code. This field is automatically cleared after the erase operation is complete. 0x00: Erase disabled. 0x55: Page erase code. 0xAA: Enable mass erase via the JTAG debug port.	
7:5	-	R\W	0	Reserved for Future Use Do not modify this field.	
4	width	R\W	0	Data Width Select This field sets the data width of a write to the flash page. The Flash Controller supports either 32-bit wide writes or 128-bit wide writes. 0: 128-bit transactions (FLC_DATA3 - FLC_DATA0) 1: 32-bit transactions (FLC_DATA0 only)	
3	-	R\W	0	Reserved for Future Use Do not modify this field.	
2	page_erase	R\W10	0	Page Erase Write a 1 to this field to initiate a page erase at the address in FLC_ADDR.addr . The flash must be unlocked prior to attempting a page erase, see FLC_CTRL.unlock for details. The Flash Controller hardware clears this bit when a page erase operation is complete. 0: No page erase operation in process or page erase is complete. 1: Write a 1 to initiate a page erase. If this field reads 1, a page erase operation is in progress. <i>Note: This field is protected and cannot be set to 0 by application code.</i>	
1	mass_erase	R\W10	0	Mass Erase Write a 1 to this field to initiate a mass erase of the internal flash memory. The flash must be unlocked prior to attempting a mass erase, see FLC_CTRL.unlock for details. The Flash Controller hardware clears this bit when the mass erase operation completes. 0: No operation 1: Initiate mass erase <i>Note: This field is protected and cannot be set to 0 by application code.</i>	

Flash Controller Control Register			FLC_CTRL		[0x08]
Bits	Name	Access	Reset	Description	
0	write	R\W10	0	Write If this field reads 0, no write operation is pending for the flash. To initiate a write operation, set this bit to 1 and the Flash Controller will write to the address set in the <i>FLC_ADDR</i> register. 0: No write operation in process or write operation complete. 1: Write 1 to initiate a write operation. If this field reads 1, a write operation is in progress. <i>Note: This field is protected and cannot be set to 0 by application code.</i>	

Table 4-5: Flash Controller Interrupt Register

Flash Controller Interrupt Register			FLC_INTR		[0x24]
Bits	Name	Access	Reset	Description	
31:10	-	R\W	0	Reserved for Future Use Do not modify.	
9	access_fail_ie	R\W	0	Flash Access Fail Interrupt Enable Set this bit to 1 to enable interrupts on flash access failures. 0: Disabled 1: Enabled	
8	done_ie	R\W	0	Flash Operation Complete Interrupt Enable Set this bit to 1 to enable interrupts on flash operations complete. 0: Disabled 1: Enabled	
7:2	-	RO	0	Reserved for Future Use Do not modify.	
1	access_fail	R\W0C	0	Flash Access Fail Interrupt Flag This bit is set when an attempt is made to write to the flash while the flash is busy or locked. Only hardware can set this bit to 1. Writing a 1 to this bit has no effect. This bit is cleared by writing a 0. 0: No access failure has occurred. 1: Access failure occurred.	
0	done	R\W1C	0	Flash Operation Complete Interrupt Flag This flag is automatically set by hardware after a flash write or erase operation completes. 0: Operation not complete or not in process. 1: Flash operation complete.	

Table 4-6: Flash Controller Data Register 0

Flash Controller Data Register 0			FLC_DATA0		[0x30]
Bits	Name	Access	Reset	Description	
31:0	data0	R\W	0	Flash Data 0 Flash data for bits 31:0.	

Table 4-7: Flash Controller Data Register 1

Flash Controller Data Register 1			FLC_DATA1		[0x34]
Bits	Name	Access	Reset	Description	
31:0	data1	R\W	0	Flash Data 1 Flash data for bits 63:32	

Table 4-8: Flash Controller Data Register 2

Flash Controller Data Register 2			FLC_DATA2		[0x38]
Bits	Name	Access	Reset	Description	
31:0	data2	R\W	0	Flash Data 2 Flash data for bits 95:64	

Table 4-9: Flash Controller Data Register 3

Flash Controller Data Register 3			FLC_DATA3		[0x3C]
Bits	Name	Access	Reset	Description	
31:0	data3	R\W	0	Flash Data 3 Flash data for bits 127:96.	

5 General-Purpose I/O and Alternate Function Pins

The general-purpose I/O (GPIO) pins share both a firmware-controlled I/O mode and up to three peripheral alternate functions. Each pin is individually enabled for GPIO or peripheral alternate function 1 (AF1), alternate function 2 (AF2) or alternate function 3 (AF3). Configuring a pin for an alternate function supersedes its use as a firmware-controlled GPIO, however the input data is always readable via the GPIO input register if the GPIO input is enabled.

Multiplexing between the alternate functions and the I/O function is often static in an application; set at initialization and dedicated as either an alternate function or GPIO. If needed, dynamic multiplexing between AF1, AF2, AF3 and I/O mode is supported. Dynamic multiplexing must be managed by the application firmware and the application must manage the AFs and GPIO to ensure each is set up properly when switching from a peripheral to the I/O function. Refer to MAX32660 Data Sheet Electrical Characteristics Table for information on the GPIO pin behavior based on the configurations described in this document.

In GPIO mode each I/O pin supports interrupt function that can be independently enabled, and configured as a level triggered interrupt, a rising edge, falling edge or both rising and falling edge interrupt. All GPIO share the same interrupt vector. Some packages do not have all the GPIO available.

The GPIO are all bidirectional digital I/O that include:

- Input Mode Features
 - ◆ Standard CMOS or Schmitt Hysteresis
 - ◆ Input data from the input data register (*GPIO0_IN*) or to a peripheral (alternate function)
 - ◆ Input state selectable for floating (tri-state) or weak pull-up/pull-down
- Output Mode Features
 - ◆ Output data from the output data register (*GPIO0_OUT*) in GPIO mode
 - ◆ Output data driven from peripheral if an Alternate Function is selected
 - ◆ Standard GPIO
 - Four drive strength modes
 - Slow or Fast slew rate selection
 - ◆ GPIO with I2C as an Alternate Function
 - Two drive strength modes
- Selectable weak pull-up resistor, weak pull-down resistor or tri-state mode for Standard GPIO pins
- Selectable weak pull-down or tri-state mode for GPIO pins with I2C as an Alternate Function
- Wake from low power modes on rising edge, falling edge or both on the I/O pins

5.1 General Description

The MAX32660 provides up to 14 GPIO pins in the **20-TQFN** package and up to 10 GPIO pins in the **16-WLP**. Each GPIO pin maps to a GPIO port. For the MAX32660 all GPIO pins are grouped in GPIO port 0 (GPIO0). [Table 5-1](#) and [Table 5-2](#), below, show the GPIO and the assigned AF1, AF2 and AF3 for the **16-WLP** and **20-TQFN** packages of the MAX32660.

A dedicated interrupt vector is assigned for GPIO port 0 and is detailed in the section [Interrupt](#).

Table 5-1: GPIO Port, Pin Name and Alternate Function Matrix, 16-WLP

16-WLP				
GPIO Port[bit]	GPIO	Alternate Function 1	Alternate Function 2	Alternate Function 3
GPIO0[0]	P0.0	SWDIO ¹	SPI_MISO (I2S_SDI) ²	UART1_TX ¹
GPIO0[1]	P0.1	SWDCLK ¹	SPI1_MOSI (I2S_SDO) ²	UART1_RX ¹
GPIO0[2] ³	P0.2	I2C1_SCL	SPI1_SCK (I2S_BCLK) ²	32KCAL
GPIO0[3] ³	P0.3	I2C1_SDA	SPI1_SSO (I2S_LRCLK) ²	TMRO
GPIO0[4]	P0.4	SPI0_MISO	UART0_TX	-
GPIO0[5]	P0.5	SPI0_MOSI	UART0_RX	-
GPIO0[6]	P0.6	SPI0_SCK	UART0_CTS	UART1_TX ¹
GPIO0[7]	P0.7	SPI0_SSO	UART0_RTS	UART1_RX ¹
GPIO0[8] ³	P0.8	I2C0_SCL	SWDIO ¹	-
GPIO0[9] ³	P0.9	I2C0_SDA	SWDCLK ¹	-

Table 5-2: GPIO Port, Pin Name and Alternate Function Matrix, 20-TQFN

20-TQFN				
GPIO Port[bit]	GPIO	Alternate Function 1	Alternate Function 2	Alternate Function 3
GPIO0[0]	P0.0	SWDIO ¹	SPI1_MISO (I2S_SDI) ^{1,2}	UART1_TX ¹
GPIO0[1]	P0.1	SWDCLK ¹	SPI1_MOSI (I2S_SDO) ^{1,2}	UART1_RX ¹
GPIO0[2] ³	P0.2	I2C1_SCL	SPI1_SCK (I2S_BCLK) ^{1,2}	32KCAL
GPIO0[3] ³	P0.3	I2C1_SDA	SPI1_SSO (I2S_LRCLK) ^{1,2}	TMRO
GPIO0[4]	P0.4	SPI0_MISO	UART0_TX	-
GPIO0[5]	P0.5	SPI0_MOSI	UART0_RX	-
GPIO0[6]	P0.6	SPI0_SCK	UART0_CTS	UART1_TX ¹
GPIO0[7]	P0.7	SPI0_SSO	UART0_RTS	UART1_RX ¹
GPIO0[8] ³	P0.8	I2C0_SCL	SWDIO ¹	-
GPIO0[9] ³	P0.9	I2C0_SDA	SWDCLK ¹	-
GPIO0[10]	P0.10	SPI1_MISO (I2S_SDI) ^{1,2}	UART1_TX ¹	
GPIO0[11]	P0.11	SPI1_MOSI (I2S_SDO) ^{1,2}	UART1_RX ¹	
GPIO0[12]	P0.12	SPI1_SCK (I2S_BCLK) ^{1,2}	UART1_CTS	
GPIO0[13]	P0.13	SPI1_SSO (I2S_LRCLK) ^{1,2}	UART1_RTS	

¹ This alternate function signal is mappable to more than one GPIO pin but there is only one instance of this peripheral in the MAX32660.

² I2S_BCLK, I2S_LRCLK, I2S_SDI, I2S_SDO when the I2S function is enabled.

³ GPIO with I2C as an Alternate Function do not support slew rate control and only support two output drive strength modes.

5.2 Power-On-Reset Configuration

During a power-on-reset event all I/O default to GPIO mode as inputs floating except the SWD JTAG pins P0.0 and P0.1. The SWD JTAG pins always default to Alternate Function 1 enabled and the SWD JTAG is enabled.

Following a POR event GPIO[2:13] are configured with the following default settings:

- GPIO mode enabled
 - ◆ `GPIO0_AFO_SEL`[pin] = 1
 - ◆ `GPIO0_AF1_SEL`[pin] = 0
- Pull-up/Pull-down disabled, I/O in Hi-Z mode
 - ◆ `GPIO0_PULL_EN`[pin] = 0
- Output mode disabled
 - ◆ `GPIO0_OUT_EN`[pin] = 0
- Interrupt disabled
 - ◆ `GPIO0_INT_EN`[pin] = 0

Note: On parts without a SWD JTAG port, the SWD JTAG port is still available for boundary scan testing, however, the SWD JTAG port is hardware disabled. To use the SWD JTAG pins in I/O mode, set the desired GPIO pins for SWD alternate function and set the JTAG SWD disable field to 1 (`GCR_SCON.swd_dis = 1`).

5.2.1 I/O Mode and Alternate Function Selection

Each I/O pin supports standard GPIO mode or one of up to three Alternate Function modes. The alternate functions assigned to each I/O pin are shown in the pin description table for the specific package. See [Table 5-1](#) for the 16-WLP, and [Table 5-2](#) for the 20-TQFN.

5.2.2 Input mode configuration

Perform the following steps to configure a pin or pins for input mode:

1. Set the pin for I/O mode
 - a. `GPIO0_AFO_SEL`[pin] = 1
 - b. `GPIO0_AF1_SEL`[pin] = 0
2. Configure the pin for pull-up, pull-down, or high-impedance mode. Refer to `GPIO_PULL_SEL` register for pull-up and pull-down selection
 - a. GPIO with I2C as an alternate function (GPIO[9:8] and GPIO[3:2]) only support high-impedance mode or a weak pull-down resistor.
 - b. Set `GPIO0_PULL_EN`[pin] to 1 to enable the pull resistor or clear the bit to set the input to high impedance mode.
3. Read the input state of the pin using the `GPIO0_IN`[pin] field.

5.2.3 Output Mode Configuration

Perform the following steps to configure a pin for output mode:

1. Set the pin for I/O mode.
 - a. $GPIO0_AF0_SEL[pin] = 1GPIO0_AF1_SEL[pin] = 0$
 - b. Enable the output buffer for the pin by setting $GPIO0_OUT_EN[pin]$ to 1.
2. Set the output drive strength using the $GPIO0_DS1_SEL[pin]$ and $GPIO0_DS0_SEL[pin]$ bits. Refer to the GPIO Drive Strength for configuration details and the modes supported. Reference the MAX32660 datasheet for the electrical characteristics for the drive strength modes.
3. Set the output high or low using the $GPIO0_OUT[pin]$ bit.

5.2.4 GPIO Drive Strength

Each I/O pin supports multiple selections for drive strength. Standard GPIO pins are configured for the supported modes using the $GPIO0_DS1_SEL$ and $GPIO0_DS0_SEL$ registers as shown in [Table 5-3, below](#).

For GPIO with I2C as an Alternate Function, [Table 5-4](#) shows the drive strength setting options.

Table 5-3: Standard GPIO Drive Strength Selection

Drive Strength V _{DD} = 1.62V	Drive Strength V _{DD} = 3.63V	GPIO_DS1_SEL[pin]	GPIO_DS0_SEL[pin]
1mA	2mA	0	0
2mA	4mA	0	1
4mA	8mA	1	0
8mA	12mA	1	1

Table 5-4: GPIO with I2C Alternate Function Drive Strength Selection

Drive Strength V _{DD} = 1.62V	Drive Strength V _{DD} = 3.63V	GPIO_DS0_SEL[pin]
2mA	4mA	0
10mA	20mA	1

Note: The drive strength currents shown are targets only. Refer to the MAX32660 Data Sheet Electrical Characteristics table for details of the V_{OL_GPIO} , V_{OH_GPIO} , V_{OL_I2C} and V_{OH_I2C} parameters.

5.3 Alternate Function Configuration

[Table 5-5, below](#), shows the alternate function selection matrix. Write the $GPIO0_AF0_SEL$ and $GPIO0_AF1_SEL$ fields as shown in the table to select the desired alternate function.

Table 5-5: GPIO Mode and Alternate Function Selection

GPIO MODE	GPIO0_AF1_SEL[pin]	GPIO0_AF0_SEL[pin]
I/O	0	1
Alternate Function 1	0	0
Alternate Function 2	1	0
Alternate Function 3	1	1

Note: Each Alternate Function for a given peripheral is independently selectable. Mixing functions assigned to AF1, AF2 or AF3 is supported as long as all of the peripheral's required functions are enabled.

5.4 Configuring GPIO (External) Interrupts

Each GPIO supports external interrupt events when the GPIO is configured for I/O mode and the input mode is enabled. If the GPIO is configured as a peripheral alternate function, the interrupts are peripheral controlled. GPIO interrupts can be enabled for any number of GPIO on each GPIO port. The following procedure details the steps for enabling Active mode interrupt events for a GPIO pin:

1. Disable interrupts by setting the `GPIO0_INT_EN[pin]` field to 0. This will prevent any new interrupts on the pin from triggering but will not clear previously triggered (pending) interrupts. The application can disable all interrupts for GPIO by writing 0 to `GPIO0_INT_EN[13:0]`. To maintain previously enabled interrupts, read the `GPIO0_INT_EN` register and save the value to memory prior to setting the register to 0.
2. Clear pending interrupts by writing 1 to the `GPIO0_INT_FL[pin]` bit.
3. Set `GPIO0_INT_MODE[pin]` to select either level (0) or edge triggered (1) interrupts.
 - a. For level triggered interrupts, the interrupt triggers on an input high or low.
 - i. `GPIO0_INT_POL[pin] = 1`: Input high triggers interrupt.
 - ii. `GPIO0_INT_POL[pin] = 0`: Input low triggers interrupt.
 - b. For edge triggered interrupts, the interrupt triggers on an edge event.
 - i. `GPIO0_INT_POL[pin] = 0`: Input rising edge triggers interrupt.
 - ii. `GPIO0_INT_POL[pin] = 1`: Input falling edge triggers interrupt.
 - c. Optionally set `GPIO0_INT_DUAL_EDGE[pin]` to 1 to trigger on both the rising and falling edges of the input signal.
4. Set `GPIO0_INT_EN[pin]` to 1 to enable the interrupt for the pin.

5.4.1 Interrupts

The GPIO pins generate interrupts if the pin is configured for I/O mode and the interrupt is enabled for the pin (`GPIO0_INT_EN[pin] = 1`). See [Table 5-5](#) for details on configuring a pin for I/O mode.

Table 5-6: GPIO Port Interrupt Vector Mapping

GPIO Interrupt Source	GPIO Interrupt Flag Register	Device Specific Interrupt Vector Number	GPIO Interrupt Vector
GPIO0[13:0]	GPIO0_INT_FL	40	GPIO0_IRQHandler

To handle GPIO interrupts in your interrupt vector handler, complete the following steps:

1. Read the `GPIO0_INT_FL` register to determine the GPIO pin that triggered the interrupt. The bit position that reads 1 indicates the pin that resulted in the interrupt event. If multiple bits are set, each of them indicates an interrupt event occurred on the respective pin.
2. Complete interrupt tasks associated with the interrupt source pin (application defined).
3. Clear the interrupt flag in the `GPIO0_INT_FL` register by writing 1 to the `GPIO0_INT_FL` bit positions that triggered the interrupt. This also clears and rearms the edge detectors for edge triggered interrupts.
4. Return from the interrupt vector handler.

5.4.2 Using GPIO for Wakeup from Low Power Modes

Low power modes support wakeup from external edge triggered interrupts on the GPIO ports. Level triggered interrupts are not supported for wakeup because the system clock must be active to detect levels.

For wake-up interrupts on the GPIO a single interrupt vector, `GPIOWAKE_IRQHandler`, is assigned for all the GPIO pins. When the wakeup event occurs, the application software must interrogate the `GPIO0_INT_FL` register to determine which external pin caused the wake-up event.

Table 5-7: GPIO Wakeup Interrupt Vector

GPIO Wake Interrupt Source	GPIO Wake Interrupt Status Register	Device Specific Interrupt Vector Number	GPIO Wakeup Interrupt Vector
GPIO0[0:13]	GPIO0_INT_FL	70	GPIO_WAKE_IRQHandler

Enable low power mode wakeup (SLEEP, DEEPSLEEP and BACKUP) from an external GPIO event by completing the following steps:

1. Set the polarity (rising or falling edge) by writing to the *GPIO0_INT_POL*[pin] field. The wakeup functionality uses rising and falling edge detection circuitry that operates asynchronously and does not require an active clock. Dual-edge mode is also an option to accomplish edge detection wakeup.
2. Clear pending interrupt flags by writing 0xFF to the *GPIO0_INT_FL* register.
3. Activate the GPIO wakeup function by writing 1 to *GPIO0_WAKE_EN*[pin].
4. Configure the power manager to use the GPIO as a wakeup source by writing to the appropriate Global Control register (GCR).

5.5 GPIO Registers

Refer to the *Peripheral Register Map* section for the GPIO Port 0 base address.

Table 5-8: GPIO Port 0 Registers

Offset	Register Name	Access	Description
[0x0000]	<i>GPIO0_AFO_SEL</i>	R/W	I/O and Alternate Function 1 Select Register
[0x000C]	<i>GPIO0_OUT_EN</i>	R/W	Output Enable Register
[0x0018]	<i>GPIO0_OUT</i>	R/W	Output Register
[0x0024]	<i>GPIO0_IN</i>	RO	Input Register
[0x0028]	<i>GPIO0_INT_MODE</i>	R/W	Interrupt Mode Register
[0x002C]	<i>GPIO0_INT_POL</i>	R/W	Interrupt Polarity Select Register
[0x0034]	<i>GPIO0_INT_EN</i>	R/W	Interrupt Enable Register
[0x0040]	<i>GPIO0_INT_FL</i>	R/W1C	Interrupt Flag Register
[0x004C]	<i>GPIO0_WAKE_EN</i>	R/W	Wakeup Enable Register
[0x005C]	<i>GPIO0_INT_DUAL_EDGE</i>	R/W	Dual Edge Select Interrupt Register
[0x0060]	<i>GPIO0_PULL_EN</i>	R/W	Input Pullup/Pulldown Select Register
[0x0068]	<i>GPIO0_AF1_SEL</i>	R/W	Alternate Function 2/3 Select Register
[0x00A8]	<i>GPIO0_INHYS_EN</i>	R/W	Input Hysteresis Enable Register
[0x00AC]	<i>GPIO0_SR_SEL</i>	R/W	Slew Rate Select Register
[0x00B0]	<i>GPIO0_DS0_SEL</i>	R/W	Drive Strength Select 0 Register
[0x00B4]	<i>GPIO0_DS1_SEL</i>	R/W	Drive Strength Select 1 Register
[0x00B8]	<i>GPIO_PULL_SEL</i>	R/W	Pullup/Pulldown Enable Register

5.6 GPIO Port 0 Register Details

Table 5-9: GPIO Alternate Function 0 Select Register

GPIO Alternate Function 0 Select Register			GPIO0_AFO_SEL		[0x0000]
Bits	Name	Access	Reset	Description	
31:14	-	R/W	1	Reserved for Future Use Do not modify this field.	

GPIO Alternate Function 0 Select Register			GPIO0_AF0_SEL		[0x0000]
Bits	Name	Access	Reset	Description	
13:2		R/W	1	GPIO Alternate Function 0 Mode Select If JTAG debug is available on the part, this pin defaults to the JTAG alternate function (TCK/SWCLK) on all forms of reset. 0: Alternate function JTAG TCK/SWCLK enabled (default). 1: GPIO enabled	
1	-	R/W	0	GPIO Alternate Function 0 Mode Select If JTAG debug is available on the part, this pin defaults to the JTAG alternate function (TMS/SWDIO) on all forms of reset. 0: Alternate function JTAG TMS/SWDIO enabled (default). 1: GPIO enabled	
0	-	R/W	0	GPIO Enable If JTAG debug is available on the part, this pin defaults to the JTAG alternate function (TDO) on all forms of reset. 0: Alternate function JTAG TDO enabled (default). 1: GPIO enabled	

Table 5-10: GPIO Output Enable Register

Output Enable Register			GPIO0_OUT_EN		[0x000C]
Bits	Name	Access	Reset	Description	
31:14	-	R/W	0	Reserved for Future Use Do not modify this field.	
13:2	-	R/W	0	GPIO Output Enable Setting a bit to 1 enables the output driver for the respective pin. 0: Output mode disabled, output driver disabled. 1: Output mode enabled, output driver enabled.	
1	-	R/W	1	GPIO Output Enable This bit is set to 1 on POR and is used for the SWDIO alternate function with the output driver enabled. 0: Output mode disabled, output driver disabled. 1: Output mode enabled, output driver enabled.	
0	-	R/W	0	GPIO Output Enable This bit is set to 0 on POR and is used for the SWCLK alternate function with the output driver disabled. Setting this bit to 1 enables the output driver for the pin. 0: Output mode disabled, output driver disabled. 1: Output mode enabled, output driver enabled.	

Table 5-11: GPIO Output Register

GPIO Output Register			GPIO0_OUT		[0x0018]
Bits	Name	Access	Reset	Description	
31:14	-	R/W	0	Reserved for Future Use Do not modify this field.	
13:0	-	R/W	0	GPIO Output Level Set the corresponding output pin high or low. 0: Drive the corresponding output pin low (logic 0). 1: Drive the corresponding output pin high (logic 1). <i>Note: This bit is ignored if the corresponding bit position in the GPIO0_OUT_EN register is not set or if the pin is configured for an alternate function.</i>	

Table 5-12: GPIO Input Register

GPIO Input Register				GPIO0_IN	[0x0024]
Bits	Name	Access	Reset	Description	
31:14	-	R/W	0	Reserved for Future Use Do not modify this field.	
13:0	-	RO	-	GPIO Input Level Read the state of the corresponding input pin. The input state is always readable for a pin regardless of the pin's configuration as an output or alternate function. 0: Input pin low (logic 0) 1: Input pin high (logic 1)	

Table 5-13: GPIO Port Interrupt Mode Register

GPIO Port Interrupt Mode Register				GPIO0_INT_MODE	[0x0028]
Bits	Name	Access	Reset	Description	
31:14	-	R/W	0	Reserved for Future Use Do not modify this field.	
13:0	-	R/W	0	GPIO Interrupt Mode Interrupt mode selection bit for the corresponding GPIO pin. 0: Level triggered interrupt for corresponding GPIO pin. 1: Edge triggered interrupt for corresponding GPIO pin. <i>Note: This bit has no effect unless the corresponding bit in the GPIO0_INT_EN register is set.</i>	

Table 5-14: GPIO Port Interrupt Polarity Registers

GPIO Port Interrupt Polarity Register				GPIO0_INT_POL	[0x002C]
Bits	Name	Access	Reset	Description	
31:14	-	R/W	0	Reserved for Future Use Do not modify this field.	
13:0	-	R/W	0	GPIO Interrupt Polarity Interrupt polarity selection bit for the corresponding GPIO pin. Level triggered mode (GPIO0_INT_MODE = 0): 0: Input low (logic 0) triggers interrupt. 1: Input high (logic 1) triggers interrupt. Edge triggered mode (GPIO0_INT_MODE = 1): 0: Falling edge triggers interrupt 1: Rising edge triggers interrupt. <i>Note: This bit has no effect unless the corresponding bit in the GPIO0_INT_EN register is set.</i>	

Table 5-15: GPIO Port Interrupt Enable Registers

GPIO Port Interrupt Enable Register				GPIO0_INT_EN	[0x0034]
Bits	Name	Access	Reset	Description	
31:14	-	R/W	0	Reserved for Future Use Do not modify this field.	

GPIO Port Interrupt Enable Register			GPIO0_INT_EN		[0x0034]
Bits	Name	Access	Reset	Description	
13:0	-	R/W	0	GPIO Interrupt Enable Enable or Disable the interrupt for the corresponding GPIO pin. 0: GPIO interrupt disabled. 1: GPIO interrupt enabled. <i>Note: Disabling a GPIO interrupt does not clear pending interrupts for the associated pin. Use the GPIO0_INT_CLR register to clear pending interrupts.</i>	

Table 5-16: GPIO Interrupt Flag Register

GPIO Interrupt Flag Register			GPIO0_INT_FL		[0x0040]
Bits	Name	Access	Reset	Description	
31:14	-	R/W	0	Reserved for Future Use Do not modify this field.	
13:0	-	RO	0	GPIO Interrupt Status An interrupt is pending for the associated GPIO pin when this bit reads 1. 0: No interrupt pending for associated GPIO pin. 1: GPIO interrupt pending for associated GPIO pin. <i>Note: Write a 1 to the corresponding bit in the GPIO0_INT_CLR register to clear the interrupt pending status flag.</i>	

Table 5-17: GPIO Wakeup Enable Registers

GPIO Wakeup Enable Register			GPIO0_WAKE_EN		[0x004C]
Bits	Name	Access	Reset	Description	
31:14	-	R/W	0	Reserved for Future Use Do not modify this field.	
13:0	-	R/W	0	GPIO Wakeup Enable Enable the I/O as a wakeup from low power modes (SLEEP, DEEPSLEEP, BACKUP). 0: GPIO is not enabled as a wakeup source from low power modes. 1: GPIO is enabled as a wakeup source from low power modes.	

Table 5-18: GPIO Interrupt Dual Edge Mode Registers

GPIO Interrupt Dual Edge Mode Register			GPIO0_INT_DUAL_EDGE		[0x005C]
Bits	Name	Access	Reset	Description	
31:14	-	R/W	0	Reserved for Future Use Do not modify this field.	
13:0	-	R/W	0	GPIO Interrupt Dual-Edge Mode Select Setting this bit selects dual edge mode triggered interrupts (rising and falling edge triggered) if the associated <i>GPIO0_INT_MODE</i> bit is set to edge triggered. When dual edge mode is set and the interrupt mode is edge-triggered, the associated polarity (<i>GPIO0_INT_POL</i>) setting has no effect. 0: Dual edge detection mode interrupts disabled. 1: Dual edge detection mode interrupts enabled.	

Table 5-19: GPIO Pullup/Pulldown Enable Register

GPIO Port Pullup Pulldown Selection 0 Register				GPIO0_PULL_EN	[0x0060]
Bits	Name	Access	Reset	Description	
31:14	-	R/W	0	Reserved for Future Use Do not modify this field.	
13:10	-	R/W	0	GPIO Pull Up/Pull Down Enable Setting this bit to 1 enables either the weak pull-up or weak pull-down resistor on the respective pin. The selection for pull-up or pull-down resistor is set using the GPIO_PULL_SEL register.	
9:8	-	R/W	0	GPIO Pull Down Enable Setting this bit to 1 enables the weak pull-down resistor on the respective I/O pin. GPIO with I2C as an alternate function do not support a weak pull-up resistor. If either of the GPIO_PULL_SEL [9:8] bits are set to 1, setting the same bit in this register has no effect. 0: Pull down resistor disable. 1: Pull down resistor enabled if respective bit in GPIO_PULL_SEL register is set to 1. 0. No effect if respective bit in GPIO_PULL_SEL register is set to 1.	

Table 5-20: GPIO Alternate Function Select Register

GPIO Alternate Function Select Register				GPIO0_AF1_SEL	[0x0068]
Bits	Name	Access	Reset	Description	
31:14	-	R/W	0	Reserved for Future Use Do not modify this field.	
13:0	-	R/W	0	GPIO Alternate Function 1 Mode Select This bit combined with the corresponding bit in the GPIO0_AF0_SEL register set the I/O pin to GPIO mode or to Alternate Function 1, 2, or 3. Refer to Table 5-5: GPIO Mode and Alternate Function Selection for details on selection.	

Table 5-21: GPIO Input Hysteresis Enable Register

GPIO Input Hysteresis Enable Register				GPIO0_INHYS_EN	[0x00A8]
Bits	Name	Access	Reset	Description	
31:14	-	R/W	0	Reserved for Future Use Do not modify this field.	
13:0	-	R/W	0	GPIO Input Hysteresis Enable Setting a bit to 1 enables a Schmitt input to introduce hysteresis for better noise immunity on the respective bit's port pin. 0: Input pin uses a standard CMOS input. 1: Schmitt input enabled.	

Table 5-22: GPIO Slew Rate Enable Register

GPIO Slew Rate Select Register				GPIO0_SR_SEL	[0x00AC]
Bits	Name	Access	Reset	Description	
31: 14	-	R/W	0	Reserved for Future Use Do not modify this field.	

GPIO Slew Rate Select Register			GPIO0_SR_SEL		[0x00AC]
Bits	Name	Access	Reset	Description	
13:10	-	R/W	0	GPIO Slew Rate Mode Selects between fast and slow slew rate for the respective I/O pin. Setting a bit to 1 enables slow slew rate for the respective I/O pin. 0: Fast slew rate selected. 1: Slow slew rate selected. <i>Note: Refer to the MAX32660 datasheet for detailed electrical characteristics of the fast and slow slew rates.</i>	
9:8	-	R/W	0	Reserved for Future Use Do not modify this field. <i>Note: I/O pins with I2C as an alternate function do not support slew rate selection.</i>	
7:4	-	R/W	0	GPIO Slew Rate Mode Selects between fast and slow slew rate for the respective I/O pin. Setting a bit to 1 enables slow slew rate for the respective I/O pin. 0: Fast slew rate selected. 1: Slow slew rate selected. <i>Note: Refer to the MAX32660 datasheet for detailed electrical characteristics of the fast and slow slew rates.</i>	
3:2	-	R/W	0	Reserved for Future Use Do not modify this field. <i>Note: I/O pins with I2C as an alternate function do not support slew rate selection.</i>	
1:0	-	R/W	0	GPIO Slew Rate Mode Selects between fast and slow slew rate for the respective I/O pin. Setting a bit to 1 enables slow slew rate for the respective I/O pin. 0: Fast slew rate selected. 1: Slow slew rate selected. <i>Note: Refer to the MAX32660 datasheet for detailed electrical characteristics of the fast and slow slew rates.</i>	

Table 5-23: GPIO Drive Strength 0 Select Register

GPIO Drive Strength 0 Select Register			GPIO0_DS0_SEL		[0x00B0]
Bits	Name	Access	Reset	Description	
31:14	-	R/W	0	Reserved for Future Use Do not modify this field.	
13:10	-	R/W	0	GPIO Drive Strength 0 Select The output drive strength supports four modes. The mode selection is set using the combination of the <i>GPIO0_DS1_SEL</i> and <i>GPIO0_DS0_SEL</i> bits for the associated GPIO pin. Refer to the <i>GPIO Drive Strength</i> section, <i>above</i> , for the selection options on these I/O pins. <i>Refer to the symbols V_{OL_GPIO} and V_{OH_GPIO} in the MAX32660 Data Sheet Electrical Characteristics table for details of the drive strengths for these I/O pins.</i>	

GPIO Drive Strength 0 Select Register			GPIO0_DS0_SEL		[0x00B0]
Bits	Name	Access	Reset	Description	
9:8	-	R/W	0	GPIO Drive Strength Select Selection of high drive strength or low drive strength for the I/O pin. Pins with I2C as an alternate function only support two drive strength options. 0: Low output drive strength selected. 1: High output drive strength selected. <i>Refer to V_{OL_I2C} and V_{OH_I2C} in the MAX32660 Data Sheet Electrical Characteristics table for details of the drive strengths for these I/O pins.</i>	
7:4	-	R/W	0	GPIO Drive Strength 0 Select The output drive strength supports four modes. The mode selection is set using the combination of the <i>GPIO0_DS1_SEL</i> and <i>GPIO0_DS0_SEL</i> bits for the associated GPIO pin. Refer to the <i>GPIO Drive Strength</i> section, <i>above</i> , for the selection options on these I/O pins. <i>Refer to the symbols V_{OL_GPIO} and V_{OH_GPIO} in the MAX32660 Data Sheet Electrical Characteristics table for details of the drive strengths for these I/O pins.</i>	
3:2	-	R/W	0	GPIO Drive Strength Select Selection of high drive strength or low drive strength for the I/O pin. Pins with I2C as an alternate function only support two drive strength options. 0: Low output drive strength selected. 1: High output drive strength selected. <i>Refer to V_{OL_I2C} and V_{OH_I2C} in the MAX32660 Data Sheet Electrical Characteristics table for details of the drive strengths for these I/O pins.</i>	
1:0	-	R/W	0	GPIO Drive Strength 0 Select The output drive strength supports four modes. The mode selection is set using the combination of the <i>GPIO0_DS1_SEL</i> and <i>GPIO0_DS0_SEL</i> bits for the associated GPIO pin. Refer to the <i>GPIO Drive Strength</i> section, <i>above</i> , for the selection options on these I/O pins. <i>Refer to the symbols V_{OL_GPIO} and V_{OH_GPIO} in the MAX32660 Data Sheet Electrical Characteristics table for details of the drive strengths for these I/O pins.</i>	

Table 5-24: GPIO Drive Strength 1 Select Register

GPIO Drive Strength 1 Select Register			GPIO0_DS1_SEL		[0x00B4]
Bits	Name	Access	Reset	Description	
31:14	-	R/W	0	Reserved for Future Use Do not modify this field.	
13:10	-	R/W	0	GPIO Drive Strength 1 Select The output drive strength supports four modes. The mode selection is set using the combination of the <i>GPIO0_DS1_SEL</i> and <i>GPIO0_DS0_SEL</i> bits for the associated GPIO pin. Refer to the <i>GPIO Drive Strength</i> section, <i>above</i> , for details on the selection options. <i>Refer to the symbols V_{OL_GPIO} and V_{OH_GPIO} in the MAX32660 Data Sheet Electrical Characteristics table for details of the drive strengths for these I/O pins.</i>	
9:8	-	R/W	0	Reserved for Future Use Do not modify this field.	

GPIO Drive Strength 1 Select Register			GPIO0_DS1_SEL		[0x00B4]
Bits	Name	Access	Reset	Description	
7:4	-	R/W	0	GPIO Drive Strength 1 Select The output drive strength supports four modes. The mode selection is set using the combination of the <i>GPIO0_DS1_SEL</i> and <i>GPIO0_DS0_SEL</i> bits for the associated GPIO pin. Refer to the <i>GPIO Drive Strength</i> section, <i>above</i> , for the selection options on these I/O pins. <i>Refer to the symbols V_{OL_GPIO} and V_{OH_GPIO} in the MAX32660 Data Sheet Electrical Characteristics table for details of the drive strengths for these I/O pins.</i>	
3:2	-	R/W	0	Reserved for Future Use Do not modify this field.	
1:0	-	R/W	0	GPIO Drive Strength 1 Select The output drive strength supports four modes. The mode selection is set using the combination of the <i>GPIO0_DS1_SEL</i> and <i>GPIO0_DS0_SEL</i> bits for the associated GPIO pin. Refer to the <i>GPIO Drive Strength</i> section, <i>above</i> , for the selection options on these I/O pins. <i>Refer to the symbols V_{OL_GPIO} and V_{OH_GPIO} in the MAX32660 Data Sheet Electrical Characteristics table for details of the drive strengths for these I/O pins.</i>	

Table 5-25: GPIO Pullup/Pulldown Select Register

GPIO Pullup/Pulldown Select Register			GPIO_PULL_SEL		[0x00B8]
Bits	Name	Access	Reset	Description	
31:14	-	R/W	0	Reserved for Future Use Do not modify this field.	
13:10	-	R/W	0	Pullup/Pulldown Resistor Select Selects either a weak pull-up or weak pull-down resistor for the respective I/O pin. 0: Pull-down resistor selected 1: Pull-up resistor selected <i>Refer to the MAX32660 Data Sheet Electrical Characteristics table for details of the pull-up/pull-down resistors for the respective I/O pins.</i>	
9:8	-	R/W	0	Pulldown Resistor Select This bit should always be set to 0. The I/O pins with I2C as an alternate function only a weak pull-down resistor. 0: Pull-down resistor selected 1: Invalid <i>Refer to the MAX32660 Data Sheet Electrical Characteristics table for details of the pull-up/pull-down resistors for the respective I/O pins.</i>	
7:4	-	R/W	0	Pullup/Pulldown Resistor Select Selects either a weak pull-up or weak pull-down resistor for the respective I/O pin. 0: Pull-down resistor selected 1: Pull-up resistor selected <i>Refer to the MAX32660 Data Sheet Electrical Characteristics table for details of the pull-up/pull-down resistors for the respective I/O pins.</i>	

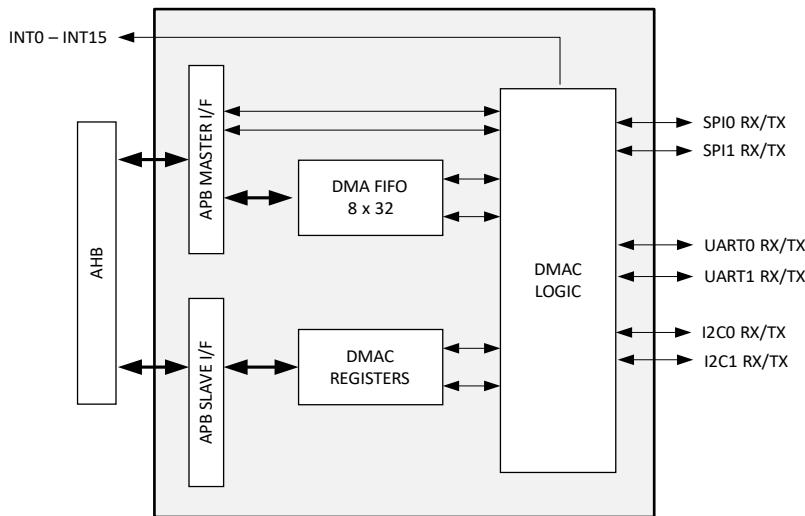
GPIO Pullup/Pulldown Select Register			GPIO_PULL_SEL		[0x00B8]
Bits	Name	Access	Reset	Description	
3:2	-	R/W	0	<p>Pulldown Resistor Select</p> <p>This bit should always be set to 0. The I/O pins with I2C as an alternate function only a weak pull-down resistor.</p> <ul style="list-style-type: none"> 0: Pull-down resistor selected 1: Invalid <p>Refer to the MAX32660 Data Sheet Electrical Characteristics table for details of the pull-up/pull-down resistors for the respective I/O pins.</p>	
1:0	-	R/W	0	<p>Pullup/Pulldown Resistor Select</p> <p>Selects either a weak pull-up or weak pull-down resistor for the respective I/O pin.</p> <ul style="list-style-type: none"> 0: Pull-down resistor selected 1: Pull-up resistor selected <p><i>Refer to the MAX32660 Data Sheet Electrical Characteristics table for details of the pull-up/pull-down resistors for the respective I/O pins.</i></p>	

6 DMA Controller

The Direct Memory Access controller (DMAC) is a hardware feature that moves data blocks from peripheral to memory, memory to peripheral, and memory to memory. This data movement reduces the processor load significantly.

Figure 6-1 provides a high-level overview of the major DMA Controller components.

Figure 6-1: DMAC Block Diagram



All direct memory access (DMA) transactions consist of an advanced high-performance bus (AHB) burst read from the source into the DMA FIFO followed by an AHB burst write from the DMA FIFO to the destination.

6.1 DMA channel operation

The DMA Controller has 16 channels. Each channel is governed by the registers shown in Table 6-1.

Table 6-1: DMA Channel Registers

Register	Description
<i>DMAn_DST</i>	Destination register
<i>DMAn_CFG</i>	Configuration register
<i>DMAn_STAT</i>	Status register
<i>DMAn_SRC</i>	Source register
<i>DMAn_CNT</i>	Count register

In addition, each channel has a set of reload registers, shown in Table 6-2, that are used to chain DMA buffers when a count-to-zero (CTZ) condition occurs.

Table 6-2: Channel Reload Registers

Register	Description
<i>DMAn_DST_RLD</i>	Destination reload register

Register	Description
<i>DMAn_SRC_RLD</i>	Source reload register
<i>DMAn_CNT_RLD</i>	Count reload register

Using these eight registers provides each channel with the following features:

- Full 32-bit source and destination addresses with 24-bit (16 Mbytes) address increment capability
- Up to 16 Mbytes for each DMA buffer
- Programmable burst size
- Programmable priority
- Interrupt upon CTZ
- Abort on error

6.2 DMA Channel Arbitration and DMA Bursts

DMAC contains an internal arbiter that allows enabled channels to access the AHB and move data. A DMA channel is enabled using the *DMAn_CFG.chen* bit.

When disabling a channel, poll the *DMAn_STAT.ch_st* bit to determine if the channel is truly disabled. In general, *DMAn_STAT.ch_st* follows the setting of the *DMAn_CFG.chen* bit. However, the *DMAn_STAT.ch_st* bit is automatically cleared under the following conditions:

- Bus error (cleared immediately)
- CTZ when the *DMAn_CFG.rlden* = 0 (cleared at the end of the AHB R/W burst)
- *DMAn_STAT.chen* bit transitions to 0 (cleared at the end of the AHB R/W burst)

Whenever the *DMAn_STAT.ch_st* bit transitions from 1 to 0, the corresponding *DMAn_CFG.chen* bit is also cleared. During an AHB read/write burst, attempting to disable an active channel is delayed until burst completion.

Once a channel is programmed and enabled, it generates a request to the arbiter immediately (for memory-to-memory DMA) or whenever its associated peripheral requests DMA (for memory-to-peripheral or peripheral-to-memory DMA).

The arbiter grants requests to a single channel at a time. Granting is done based on priority—a higher priority request is always granted. Within a given priority level, requests are granted on a round-robin basis.

When a channel's request is granted, it runs a DMA transfer. Once the DMA transfer completes, the channel relinquishes its grant.

Only an error condition can interrupt an ongoing data transfer.

DMAn_CFG.reqsel determines which request is used to initiate a DMA burst. In the case of a memory-to-memory transfer, the channel is treated as always requesting DMA access. The *DMAn_CFG.priority* field determines the DMA channel priority.

6.3 DMA Source and Destination Addressing

For memory addresses, the *DMAn_SRC* and *DMAn_DST* registers are used to program the addresses of the source and destination. For peripherals, however, the address is fixed based on the settings of the *DMAn_CFG.reqsel* bit.

Table 6-3 shows how the source and destination addresses as well as the address increment controls are constructed based on the *DMAn_CFG.reqsel* bit (shown in the Request Select column).

“Programmable” in the SRCINC or DSTINC columns indicates that the bits are programmable and set according to the *DMAn_CFG.srcinc* and the *DMAn_CFG.dstinc* bits, respectively. If there is a 0 in the column, then the bit is forced to 0.

Table 6-3: Source and Destination Address Definition

Request Select	Transfer	Source Address	SRCINC	Destination Address	DSTINC
0x0	Mem-to-Mem	DMA _n _SRC	Programmable	DMA _n _DST	Programmable
0x1	SPI0 RX	DMA _n _SRC	0	DMA _n _DST	Programmable
0x2	SPI1 RX	DMA _n _SRC	0	DMA _n _DST	Programmable
0x4	UART0 RX	DMA _n _SRC	0	DMA _n _DST	Programmable
0x5	UART1 RX	DMA _n _SRC	0	DMA _n _DST	Programmable
0x7	I2C0 RX	DMA _n _SRC	0	DMA _n _DST	Programmable
0x8	I2C1 RX	DMA _n _SRC	0	DMA _n _DST	Programmable
0x21	SPI0 TX	DMA _n _SRC	Programmable	DMA _n _DST	0
0x22	SPI1 TX	DMA _n _SRC	Programmable	DMA _n _DST	0
0x24	UART0 TX	DMA _n _SRC	Programmable	DMA _n _DST	0
0x25	UART1 TX	DMA _n _SRC	Programmable	DMA _n _DST	0
0x27	I2C0 TX	DMA _n _SRC	Programmable	DMA _n _DST	0
0x28	I2C1 TX	DMA _n _SRC	Programmable	DMA _n _DST	0

6.4 Data Movement from Source to DMA FIFO

Table 6-4 shows the register and bit fields used to control the movement of data into DMA FIFO. The source is a peripheral or memory.

Table 6-4: Data movement from source to DMA FIFO

Register/Bit Field	Description	Comments
DMA _n _SRC	Source address	If the increment enable is set, this increments on every read cycle of the burst.
DMA _n _CNT	Number of bytes to transfer before a CTZ condition occurs	This register is decremented on each read of the burst.
DMA _n _CFG.brst	Burst size (1-32)	This determines the maximum number of bytes moved during the burst read.
DMA _n _CFG.srcwd	Source width	This determines the maximum data width used during each read of the AHB burst (byte, two bytes, or four bytes). The actual AHB width might be less if DMA_n_CNT is not great enough to supply all of the needed bytes.
DMA _n _CFG.srcinc	Source increment enable	This increments DMA_n_SRC .

6.5 Data Movement from the DMA FIFO to Destination

Table 6-5 shows the register and bit fields used to control the burst movement of data out of the DMA FIFO. The destination is a peripheral or memory.

Table 6-5: Data movement from the DMA FIFO to destination

Register/Bit Field	Description	Comments
DMA _n _DST	Destination address	If the increment enable is set, this increments on every write cycle of the burst.
DMA _n _CFG.brst	Burst size (1-32)	This determines the maximum number of bytes moved during a single AHB read/write burst.
DMA _n _CFG.dstwd	Destination width	This determines the maximum data width used during each write of the AHB burst (one byte, two bytes, or four bytes).
DMA _n _CFG.dstinc	Destination increment enable	Increments DMA_n_DST .

6.6 Count-To-Zero Condition

When an AHB channel burst completes, DMAC checks whether *DMAn_CNT* is decremented to 0. If it is, then a CTZ condition exists.

At this point, there are two possible responses depending on the value of the *DMAn_CFG.rlden* bit:

1. If *DMAn_CFG.rlden* = 1, then the *DMAn_SRC*, *DMAn_DST*, and *DMAn_CNT* registers are loaded from the reload registers, and the channel remains active and continues operating using the newly-loaded address/count values and the previously programmed configuration values.
2. If *DMAn_CFG.rlden* = 0, then the channel is disabled, and the *DMAn_STAT.ch_st* bit is cleared.

6.7 Chaining Buffers

Use reload registers to chain buffers. Chaining buffers reduces the DMA ISR response time and allows DMA to service requests without intermediate processing from the CPU.

To configure a channel for buffer chaining, initialize the following registers:

- *DMAn_CFG*
- *DMAn_SRC*
- *DMAn_DST*
- *DMAn_CNT*
- *DMAn_SRC_RLD*
- *DMAn_DST_RLD*
- *DMAn_CNT_RLD*

When the *DMAn_CNT_RLD* register is written, the *DMAn_CNT_RLD.rlden* bit must not be set. In addition, any writes to the *DMAn_CFG* register prior to initialization must not set the *DMAn_CFG.chen* and *DMAn_CFG.rlden* bits. After all registers are initialized, the last operation involves writing to the *DMAn_CFG.chen* and *DMAn_CFG.rlden* bits. This starts the DMA.

Set the *DMAn_CFG.ctzien* bit in the register to receive an interrupt after each buffer is accessed. In addition, set the *DMAn_CFG.chdien* bit to provide an interrupt in case of a bus error.

*Caution: Setting the *DMAn_CFG.chen* and the *DMAn_CFG.rlden* bits separately risks a race condition. The condition occurs between a DMA completion interrupt service routine initializing the reload registers for the third buffer before the software initialization of these registers for the second buffer.*

When the first DMA transfer completes (based on the *DMAn_CNT.cnt* bit value), a CTZ interrupt occurs, and the *DMAn_SRC*, *DMAn_DST*, and *DMAn_CNT* registers are reloaded from the corresponding reload registers.

The *DMAn_STAT* register indicates that the reload and CTZ events occurred. In this case, *DMAn_STAT.ch_st* = 1 indicating that the DMA is now busy with the second DMA transfer defined in the reload registers. If *DMAn_STAT.ch_st* = 0, then the initial and second DMA transfers have completed. If there are additional buffers to chain, the interrupt service routine initializes the *DMAn_SRC_RLD*, *DMAn_DST_RLD*, and *DMAn_CNT_RLD* registers and sets the *DMAn_CNT_RLD.rlden* bit. The interrupt service routine does not write to the *DMAn_CFG*, *DMAn_SRC*, *DMAn_DST*, and *DMAn_CNT* registers, just the reload registers.

To prevent improper operation, program the address bits before setting the *DMAn_CFG.chen* and *DMAn_CNT_RLD.rlden* bits.

6.8 DMA Interrupts

Enable interrupts for each channel by setting *DMA_INT_EN.chien*. When an interrupt is pending, the corresponding *DMA_INT_FL.ipend* = 1. The *DMA_INT_FL.ipend* field is read-only, to clear the interrupt use the *DMA_n_STAT* register and write a 1 to the field that indicates the cause of the interrupt.

A channel interrupt (*DMA_n_STAT.ipend* = 1) is caused by:

***DMA_n_CFG.ctzien* = 1**

If enabled, all CTZ occurrences set the *DMA_n_STAT.ipend* bit.

***DMA_n_CFG.chdien* = 1**

If enabled, any clearing of the *DMA_n_STAT.ch_st* bit sets the *DMA_n_STAT.ipend* bit. Examine the *DMA_n_STAT* register to determine which reasons caused the disable. The *DMA_n_CFG.chdien* bit also enables the *DMA_n_STAT.to_st* bit. The *DMA_n_STAT.to_st* bit does not clear the *DMA_n_STAT.ch_st* bit.

To clear the channel interrupt, write 1 to the cause of the interrupt (the *DMA_n_STAT.ctz_st*, *DMA_n_STAT.rld_st*, *DMA_n_STAT.bus_err*, or *DMA_n_STAT.to_st* bits).

When running in normal mode without buffer chaining (*DMA_n_CFG.rlden* = 0), set the *DMA_n_CFG.chdien* bit only. An interrupt is generated upon DMA completion or an error condition (bus error or time-out error).

When running in buffer chaining mode (*DMA_n_CFG.rlden* = 1), set both the *DMA_n_CFG.chdien* and *DMA_n_CFG.ctzien* bits. The CTZ interrupts occur on completion of each DMA (count reaches zero and reload occurs). The setting of *DMA_n_CFG.chdien* ensures that an error condition generates an interrupt. If *DMA_n_CFG.ctzien* = 0, then the only interrupt occurs when the DMA completes and *DMA_n_CFG.rlden* = 0 (final DMA).

6.9 Channel Time-outs

Each channel can optionally generate an interrupt when its associated request line is inactive for a given period of time. An example use of this feature is to determine an idle UART receive channel. Each channel has a dedicated 10-bit timer allowing use of a different timeout value.

6.10 10-bit Timer

Use the settings in the *DMA_n_CFG* register to control each channel's 10-bit timer. Scale the input clock for the timer using the *DMA_n_CFG.pssel* field. The options available are:

- $f_{HCLK}/256$
- $f_{HCLK}/64K$
- $f_{HCLK}/16M$

Note: HCLK is the AHB interface clock that enables the memory system to run at a different frequency than the system clock, the cache controller, and the event monitor.

The *DMA_n_CFG.tosel* field sets the time the 10-bit timer counts until generating an interrupt.

The 10-bit timer resets whenever any of the following conditions occur:

- The DMA request line programmed for the channel is activated.
- The channel is disabled for any reason (*DMAn_STAT.ch_st* = 0).

To disable the 10-bit timer, set the *DMAn_CFG.pssel* field to 0.

Normally, the 10-bit timer starts as soon as the channel is enabled and the *DMAn_CFG.pssel* field are non-zero. However, if *DMAn_CFG.reqwait* = 1, then the timer starts counting only after the first DMA request is received from the peripheral.

To calculate the time-out period, use [Equation 6-1, below](#).

Equation 6-1: Timeout Equation for Standard DMA

$$T_{timeout} = T_{HCLK} \times N_{psel} \times N_{tsel}$$

For example, if $T_{HCLK} = 1/90\text{MHz}$, $N_{psel} = 0x2 \rightarrow 65536$ timer prescaler, and $N_{tsel} = 0x3 \rightarrow 32$ clocks, then the time-out calculation is:

Equation 6-2: Standard DMA Timeout Example Calculation

$$T_{timeout} = \left(\frac{1}{90,000,000} \right) \times 65,536 \times 32 = 23.3\text{ms}$$

6.11 Channel and Register Access Restrictions

Writing to any register while a channel is disabled is supported, but there are certain restrictions when a channel is enabled. The *DMAn_STAT.ch_st* bit indicates whether the channel is enabled or not.

Because an active channel might be in the middle of an AHB read/write burst, do not write to the *DMAn_SRC*, *DMAn_DST*, or *DMAn_CNT* registers while a channel is active (*DMAn_STAT.ch_st* = 1).

To disable any DMA channel, clear the *DMAn_CFG.chen* bit. Then, poll the *DMAn_STAT.ch_st* bit to verify that the channel is disabled.

6.12 Memory-to-Memory DMA

Memory-to-memory transfers are completed as if the request is always active. This means that the DMA channel generates an almost constant request for the bus until its transfer is complete. For this reason, assign a lower priority to channels executing memory-to-memory transfers to prevent starvation of other DMA channels.

6.13 Standard DMA Registers

Refer to the [Peripheral Register Map](#) section for the Standard DMA peripheral base address.

6.13.1 DMA Control Registers

Table 6-6: Standard DMA Control Registers, Offsets, Access and Descriptions

Offset	Register	Access	Description
[0x0000]	<i>DMAn_INT_EN</i>	R/W	DMA Control register

Offset	Register	Access	Description
[0x0004]	DMA_INT_FL	RO	DMA Interrupt Status register

6.13.2 DMA Control Register Details

Table 6-7: DMA Interrupt Enable Register

DMA Interrupt Enable Register			DMA_INT_EN		[0x0000]
Bits	Name	Access	Reset	Description	
31:16	-	RO	0	Reserved for Future Use	
15:0	chien	R/W	0	Channel Interrupt Enable Each bit in this field enables the corresponding channel interrupt. 0: Channel interrupt disabled 1: Channel interrupt enabled	

Table 6-8: DMA Interrupt Flag Register

DMA Interrupt Flag Register			DMA_INT_FL		[0x0004]
Bits	Name	Access	Reset	Description	
31:16	-	RO	0	Reserved for Future Use Do not modify.	
15:0	ipend	RO	0	Channel Interrupt Each bit in this field represents an interrupt for the corresponding channel. To clear an interrupt, clear the corresponding active interrupt bit in the DMA_n_ST register. An interrupt bit in this field is set only if the corresponding interrupt enable field is set in the DMA_n_CFG register. 0: No interrupt 1: Interrupt pending	

6.14 Standard DMA Channel Registers

Each DMA channel has a set of associated Configuration Registers. [Table 6-10](#) shows the addresses of these associated registers with respect to the channel base address. Because the registers are identical for all channels, only registers associated with DMA Channel 0 are shown in [Table 6-10](#). The base address for channel 0 is 0x40028100 using the Standard DMA peripheral base address of 0x4002 8000 from [Peripheral Register Map](#) table and the DMA Channel 0 Offset of [0x0100] from [Table 6-9](#).

6.14.1 Standard DMA Channel Register Address Offsets for DMA Channel 0 to 15

Table 6-9: Standard DMA Channel 0 to Channel 15 Offsets

Offset	DMA Channel	Access	Description
[0x0100]	0	R/W	DMA Channel 0
[0x0120]	1	R/W	DMA Channel 1
[0x0140]	2	R/W	DMA Channel 2
[0x0160]	3	R/W	DMA Channel 3
[0x0180]	4	R/W	DMA Channel 4
[0x0200]	5	R/W	DMA Channel 5
[0x0220]	6	R/W	DMA Channel 6
[0x0240]	7	R/W	DMA Channel 7
[0x0260]	8	R/W	DMA Channel 8

Offset	DMA Channel	Access	Description
[0x0280]	9	R/W	DMA Channel 9
[0x0300]	10	R/W	DMA Channel 10
[0x0320]	11	R/W	DMA Channel 11
[0x0340]	12	R/W	DMA Channel 12
[0x0360]	13	R/W	DMA Channel 13
[0x0380]	14	R/W	DMA Channel 14
[0x0400]	15	R/W	DMA Channel 15

6.14.2 DMA Channel Register Details

Table 6-10: DMA Channel Registers, Offsets, Access and Descriptions

Register	Address	Access	Description
DMA_n_CFG	[0x0000]	R/W	DMA Channel Configuration Register
DMA_n_STAT	[0x0004]	R/W	DMA Channel Status Register
DMA_n_SRC	[0x0008]	R/W	DMA Channel Source Register
DMA_n_DST	[0x000C]	R/W	DMA Channel Destination Register
DMA_n_CNT	[0x0010]	R/W	DMA Channel Count Register
DMA_n_SRC_RLD	[0x0014]	R/W	DMA Channel Source Reload Register
DMA_n_DST_RLD	[0x0018]	R/W	DMA Channel Destination Reload Register
DMA_n_CNT_RLD	[0x001C]	R/W	DMA Channel Count Reload Register

Table 6-11: DMA Configuration Register

DMA Configuration Register			DMA _n _CFG		[0x0100]
Bits	Name	Access	Reset	Description	
31	ctzien	R/W	0	CTZ Interrupt Enable When enabled, the DMA_INT_FL.ipend bit is set to 1 whenever a CTZ event occurs. 0: Interrupt disabled 1: Interrupt enabled	
30	chdien	R/W	0	Channel Disable Interrupt Enable When enabled, the DMA_INT_FL.ipend bit is set to 1 whenever the DMA_n_STAT.ch_st bit changes from 1 to 0. 0: Interrupt disabled 1: Interrupt enabled	
29	-	RO	0	Reserved for Future Use Do not modify.	
28:24	brst	R/W	0	Burst Size The number of bytes transferred into and out of the DMA FIFO in a single burst. 0b00000: 1 byte 0b00001: 2 bytes 0b00010: 3 bytes ... 0b11111: 32 bytes	
23	-	RO	0	Reserved for Future Use Do not modify.	

DMA Configuration Register			DMA _n _CFG	[0x0100]
Bits	Name	Access	Reset	Description
22	distinc	R/W	0	Destination Increment Enable This bit enables the automatic increment of the <i>DMA_n_DST</i> register upon every AHB transaction. This bit is forced to 0 for a DMA transmit to peripherals. 0: Increment disabled 1: Increment enabled
21:20	dstwd	R/W	0	Destination Width Indicates the width of each AHB transaction to the destination peripheral or memory (the actual width might be less than this if there are insufficient bytes in the DMA FIFO for the full width). 0b00: Byte 0b01: Two bytes 0b10: Four bytes 0b11: Reserved (Byte width if set)
19	-	RO	0	Reserved for Future Use Do not modify.
18	srinc	R/W	0	Source Increment Enable This bit enables the automatic increment of the <i>DMA_n_SRC</i> register upon every AHB transaction. This bit is forced to 0 for a DMA receive from peripherals. 0: Increment disabled 1: Increment enabled
17:16	srcwd	R/W	0	Source Width Indicates the width of each AHB transaction from the source peripheral or memory. The actual width might be less than this if the <i>DMA_n_CNT</i> register indicates a smaller value. 00: Byte 01: Two bytes 10: Four bytes 11: Reserved (byte width if set)
15:14	pssel	R/W	0	Pre-Scale Select Selects the Pre-Scale divider for timer clock input. 00: Disable timer 01: hclk / 256 10: hclk / 64k 11: hclk / 16M
13:11	tosel	R/W	0	Time-Out Select Selects the number of prescaler clocks seen by the channel timer before a time-out condition is generated for this channel. 000: 3-4 001: 7-8 010: 15-16 011: 31-32 100: 63-64 101: 127-128 110: 255-256 111: 511-512

DMA Configuration Register			DMA _n _CFG		[0x0100]
Bits	Name	Access	Reset	Description	
10	reqwait	R/W	0	Request Wait Enable When enabled, delay the timeout timer start until after the first DMA transaction occurs. 0: Start timer normally 1: Delay timer start	
9:4	reqsel	R/W	0	Request Select Select DMA request line for this channel. If memory to memory is selected, then the channel operates as if the request is always active.	
3:2	pri	R/W	0	DMA priority 00: Highest priority 11: Lowest priority	
1	rlden	R/W	0	Reload Enable Setting this bit to 1 allows reloading the <i>DMA_n_SRC</i> , <i>DMA_n_DST</i> , and <i>DMA_n_CNT</i> registers with their corresponding reload registers upon CTZ. <i>Note: This bit is also writeable in the DMA_n_CNT_RLD register.</i>	
0	chen	R/W	0	Channel Enable This bit is automatically cleared when <i>DMA_n_STAT.ch_st</i> changes from 1 to 0. 0: Disable this channel 1: Enable this channel	

Table 6-12: DMA Status Register

DMA Status Register			DMA _n _STAT		[0x0104]
Bits	Name	Access	Reset	Description	
31:7	-	RO	0	Reserved for Future Use Do not modify.	
6	to_st	R/W1C	0	Time-Out Status Reading this bit indicates the following: 0: No time out 1: A time out has occurred Write 1 to clear this bit.	
5	-	RO	0	Reserved for Future Use Do not modify.	
4	bus_err	R/W1C	0	Bus Error If this bit reads 1, an AHB abort occurred and the channel was disabled by hardware. Reading this bit indicates the following: 0: No error found 1: An AHB bus error occurred Write 1 to clear this bit.	
3	rld_st	R/W1C	0	Reload Status	
2	ctz_st	R/W1C	0	CTZ Status Read: 0: CTZ has not occurred 1: CTZ has occurred Write: 0: No effect 1: Write 1 to clear	

DMA Status Register			DMA _n _STAT		[0x0104]
Bits	Name	Access	Reset	Description	
1	ipend	RO	0	Channel Interrupt. 0: No interrupt 1: Interrupt pending	
0	ch_st	RO	0	Channel Status This bit is used to indicate when it is safe to change the configuration, address, and count registers for the channel. Whenever this bit is cleared by hardware, the <i>DMA_n_CFG.chen</i> bit is also cleared. 0: Channel disabled 1: Channel enabled	

Table 6-13: DMA Source Register

DMA Source Register			DMA _n _SRC		[0x0108]
Bits	Name	Access	Reset	Description	
31:0	src	R/W	0	Source Device Address For peripheral transfers, the actual address field is either ignored or forced to zero because peripherals only have one location to read/write data based on the request select chosen. If <i>DMA_n_CFG.srcinc</i> = 1, then this register is incremented on each AHB transfer cycle by one, two, or four bytes depending on the data width. If <i>DMA_n_CFG.srcinc</i> = 0, this register remains constant. If a CTZ condition occurs while <i>DMA_n_CFG.rlden</i> = 1, then this register is reloaded with the contents of the <i>DMA_n_SRC_RLD</i> register.	

Table 6-14: DMA Destination Register

DMA Destination Register			DMA _n _DST		[0x010C]
Bits	Name	Access	Reset	Description	
31:0	dst	R/W	0	Destination Device Address For peripheral transfers, the actual address field is either ignored or forced to zero because peripherals only have one location to read/write data based on the request select chosen. If <i>DMA_n_CFG.dstinc</i> = 1, then this register is incremented on every AHB transfer cycle by one, two, or four bytes depending on the data width. If a CTZ condition occurs while <i>DMA_n_CFG.rlden</i> = 1, then this register is reloaded with the contents of the <i>DMA_n_DST_RLD</i> register.	

Table 6-15: DMA Count Register

DMA Count Register			DMA _n _CNT		[0x0110]
Bits	Name	Access	Reset	Description	
31:24	-	RO	0	Reserved for Future Use Do not modify.	

DMA Count Register			DMA _n _CNT		[0x0110]
Bits	Name	Access	Reset	Description	
23:0	cnt	R/W	0	DMA Counter Load this register with the number of bytes to transfer. This counter decreases on every AHB access to DMA FIFO. The decrement is one, two, or four bytes depending on the data width. When the counter reaches 0, a CTZ condition is triggered. If a CTZ condition occurs while <i>DMA_n_CFG.rlden</i> = 1, then this register is reloaded with the contents of the <i>DMA_n_CNT_RLD</i> register. 0x000000: 0 Byte 0x000001: 1 Byte 0x000002: 2 Bytes ... 0xFFFFF:16,777,215 Bytes	

Table 6-16: DMA Source Reload Register

DMA Source Reload Register			DMA _n _SRC_RLD		[0x0114]
Bits	Name	Access	Reset	Description	
31	-	RO	0	Reserved for Future Use Do not modify.	
30:0	src_rld	R/W	0	Source Address Reload Value If <i>DMA_n_CFG.rlden</i> = 1, then the value of this register is loaded into DMA _n _SRC upon a CTZ condition.	

Table 6-17: DMA Destination Reload Register

DMA Destination Reload Register			DMA _n _DST_RLD		[0x0118]
Bits	Name	Access	Reset	Description	
31	-	RO	0	Reserved for Future Use Do not modify.	
30:0	dst_rld	R/W	0	Destination Address Reload Value If <i>DMA_n_CFG.rlden</i> = 1, then the value of this register is loaded into <i>DMA_n_DST</i> upon a CTZ condition.	

Table 6-18: DMA Count Reload Register

DMA Count Reload Register			DMA _n _CNT_RLD		[0x011C]
Bits	Name	Access	Reset	Description	
31	rlden	R/W	0	Reload Enable. Enables automatic loading of the DMA _n _SRC, <i>DMA_n_DST</i> , and <i>DMA_n_CNT</i> registers when a CTZ event occurs. Set this bit after the address reload registers are programmed. This bit is automatically cleared to 0 when reload occurs. <i>Note: This bit is also seen in the DMA_n_CFG register.</i> 0: Reload disabled 1: Reload enabled	
30:24	-	RO	0	Reserved for Future Use Do not modify.	
23:0	cnt_rld	R/W	0	Count Reload Value. If <i>DMA_n_CNT_RLD.rlden</i> = 1, then the value of this register is loaded into <i>DMA_n_CNT</i> upon a CTZ condition.	

7 UART

The MAX32660 microcontroller provides up to two industry-standard UART ports which can communicate with external devices using standard serial communications protocols. The UARTs are full-duplex Universal Asynchronous Receiver/Transmitter (UART) serial ports. Both UARTs, UART0 and UART1, support identical functionality and registers unless specifically noted otherwise. For simplicity, the UARTs are referenced in the documentation as UART_n where n = 0 or 1. The registers for each UART are documented showing an offset address, which is identical for each UART instance. To access a specific UART's control register, the UART's control register offset is added to the specific UART's base peripheral address.

Features:

- Flexible baud rate generation up to 4Mbps
- Programmable character size, 5, 6, 7, or 8-bits
- Stop bit settings of 1, 1.5, or 2-bits
- Parity settings of even, odd, mark (always 1), space (always 0), and no parity
- Automatic parity error detection with selectable parity bias
- Automatic framing error detection
- Separate 32-byte deep transmit and receive FIFOs
- Flexible interrupt conditions
- Hardware flow control for RTS and CTS
- Null modem support
- Break generation and detection
- Wakeup from DEEPSLEEP on UART edge with no character loss
- RX Timeout detection

7.1 UART Frame Characters

Character sizes of 5 to 8 bits are supported. The field `UARTn_CTRL0.charsize` is used to select the character size.

Stop bit support includes 1, 1.5, and 2 stop bits selected with the register field `UARTn_CTRL0`.

Parity support includes even, odd, mark, space or none. For no parity, set field `UARTn_CTRL0.parity_en` to 0. For all other parity options, select one of the four parity options using the `UARTn_CTRL0.parity_mode` field and enable parity (`UARTn_CTRL0.parity_en=1`). Parity can be based on the number of 1 bits or 0 bits in the receive characters as set in the register bit `UARTn_CTRL0.parity_lv`.

Break frames are transmitted by setting the field `UARTn_CTRL0.break` to 1. A break sets all bits in the frame to 0.

When a break frame is received, two interrupts are available, `UARTn_INT_FL.break` is set to 1 when the first received break character is received and `UARTn_INT_FL.last_break` is set when the last break character is received. This prevents the system from being overloaded with multiple interrupts that could occur after the first break character and up to the Nth break character received.

Note: A break character does not set the frame error flag because breaks are not valid UART characters.

7.2 UART Interrupts

Interrupts can be generated for the following conditions:

- The Transmit FIFO is half-empty
- The Receive FIFO level is over a programmed threshold
- The Receive FIFO is overrun, which means the Receive FIFO is full but is still receiving data
- Any CTS state change. During Hardware Flow Control, this interrupt is generated either because:
 - ◆ CTS is deasserted, which tells the UART to pause transmitting data
 - ◆ CTS is asserted, which tells the UART to resume transmitting data
- A Receive Parity Error occurred
- A Receive Frame Error occurred, which means START or STOP bits were not detected
- A Receive Timeout condition occurred, which means the RX FIFO has not received a character for a set time
- First and Last BREAK characters

7.3 UART Bit Rate Calculation

The UART peripheral clock, f_{PCLK} , is used as the input clock to the UART bit rate generator. The following fields are used to set the target bit rate for the UART.

- `UARTn_BAUD0.clk_div` selects the bit rate clock divisor.
- `UARTn_BAUD0.ibaud` sets the integer portion of the bit rate divisor.
- `UARTn_BAUD1.dbaud` sets the decimal portion of the bit rate divisor.

[Equation 7-1](#), [Equation 7-2](#), and [Equation 7-3](#) are used to determine the values for each of the bit rate fields required to achieve a target bit rate for the UART.

Equation 7-1: UART Bit Rate Divisor Equation

$$DIV = \frac{f_{UART_BIT_RATE_CLK}}{(Clock\ Divider \times Target\ Bit\ Rate)}$$

Note: `UARTn_BAUD0.clkdiv` should be set to the highest value that results in $[DIV] \geq 1$ to achieve the highest accuracy for the target bit rate.

Equation 7-2: Bit Rate Integer Calculation

$$UARTn_BAUD0.\text{ibaud} = [DIV]$$

Equation 7-3: Bit Rate Remainder Calculation

$$UARTn_BAUD1.\text{dbaud} = (DIV - UARTn_BAUD0.\text{ibaud}) \times 128$$

7.3.1 Example Baud Rate Calculation:

Target Bit Rate = 1,843,200 bits per second (1.8 Mbps)

$$f_{BIT_RATE_CLK} = f_{PCLK} = 48\text{ MHz}$$

$$DIV = \frac{48,000,000}{(Clock\ Divider \times 1,843,200)}, \text{ where } Clock\ Divider = 2^{(7-clkdiv)}$$

Table 7-1: Example Baud Rate Calculation Results, Target Bit Rate = 1.8Mbps, $f_{PCLK} = 48\text{ MHz}$

UARTn_BAUD0 clkdiv	Clock Divider	DIV
4	8	3.256
3	16	1.628
2	32	0.814
1	64	0.407
0	128	0.203

Table 7-1, above, shows the DIV result for each of the `UARTn_BAUD0.clkdiv` field settings. With the Clock Divider set to 8 or 16, the resulting DIV value is greater than 1. Setting the clock divider to 16 will generate the most accurate target bit rate because it is the largest value that results in $DIV \geq 1$. Using 16 for Clock Divider, `UARTn_BAUD0.clkdiv = 3`, `UARTn_BAUD0.ibaud` is 1, which is the integer portion of the 1.628 DIV calculation. The dbaud field calculation based on `UARTn_BAUD0.clkdiv = 3`, `UARTn_BAUD0.ibaud = 1` and $DIV = 1.628$ is:

Equation 7-4: UART dbaud Example Calculation

$$UARTn_BAUD1.\text{dbaud} = (1.628 - 1) \times 128 \rightarrow 80.384$$

The resulting field settings for the example 1,843,200 bps rate are:

```

UARTn_BAUD0.clkdiv = 3
UARTn_BAUD0.ibaud = 1
UARTn_BAUD1.dbaud = 80
    
```

7.4 UART DMA Using the TX and RX FIFOs

Each UART has a 32-byte TX FIFO with a dedicated DMA channel and a 32-byte RX FIFO with a dedicated DMA channel. The DMA channels are configured using the DMA Configuration Register, `UARTn_DMA`. The RX FIFO DMA channel and TX FIFO DMA channels operate independently, and each can be enabled or disabled individually. Enable the RX FIFO DMA channel by setting `UARTn_DMA.rxdma_en` to 1 and enable the TX FIFO DMA channel by setting the `UARTn_DMA.txdma_en` to 1. DMA transfers are automatically triggered based on the number of bytes in the RX or TX FIFO as described in the following two sections.

7.4.1 RX FIFO DMA Operation

`UARTn_DMA.rxdma_lvl` configures the number of entries in the RX FIFO that triggers a DMA transfer from the RX FIFO to system RAM. If the number of entries in the RX FIFO is more than the configured value, a DMA transfer is triggered from the RX FIFO to system RAM. If `UARTn_DMA.rxdma_lvl=0` then a transfer is triggered when there is one byte in the FIFO.

Note: The RX DMA level must be set to a value less than 32 to avoid an RX FIFO overrun condition that results in loss of received data.

7.4.2 TX FIFO DMA Operation

`UARTn_DMA.txdma_lvl` sets the number of entries (level) in the TX FIFO that will trigger a DMA transfer from system RAM to the TX FIFO. If the number of entries (level) in the TX FIFO falls below this value a TX DMA transfer is automatically triggered from System RAM to the TX FIFO.

Note: The TX DMA level must be set to a value greater than 1 to avoid stalling the UART transfer.

7.5 Flushing the UART FIFOs

The FIFOs can be flushed independently by setting `UARTn_CTRL0.rxflush` to 1 for the RX FIFO and `UARTn_CTRL0.txflush` to 1 for the TX FIFO. The TX FIFO and RX FIFO are automatically flushed if the UART is disabled by clearing the `UARTn_CTRL0.enable` field (`UARTn_CTRL0.enable = 0`).

7.6 Hardware Flow Control

When hardware flow control is enabled, the CTS (Clear-to-send) and RTS (Request-to-Send) external signals are directly managed by hardware without CPU intervention. RTS and CTS are active when flow control is enabled by setting the register bit `UARTn_CTRL0.flowctl=1`. The polarity of the CTS/RTS signals are configured with register bit `UARTn_CTRL0.flowpol` and can be active low or active high.

In operation, the host UART that wants to transmit data asserts its RTS output pin, and waits for its CTS input pin to be asserted. If CTS is asserted, then the host UART begins transmitting data to the slave UART. If during the transmission the host UART notices CTS is deasserted, the host UART finishes transmitting the current character and then pauses to wait for CTS to return to an asserted level before transmitting more data.

If this UART is receiving data, and the RX FIFO reaches the level set in the 6-bit register field `UARTn_CTRL1.rts_fifo_lvl`, then the RTS signal of this UART is deasserted, informing the transmitting UART to stop sending data to this UART to prevent data overflow. Transmission resumes when the level of the RX FIFO drops below `UARTn_CTRL1.rts_fifo_lvl`, which automatically asserts RTS.

7.7 UART Registers

Refer to the [Peripheral Register Map](#) section for the UART0 and UART1 Base Addresses.

Table 7-2: UART Registers, Offset Addresses and Descriptions

Register Name	Offset	Access	Description
<code>UARTn_CTRL0</code>	[0x0000]	R/W	UARTn Control 0 Register
<code>UARTn_CTRL1</code>	[0x0004]	R/W	UARTn Control 1 Register
<code>UARTn_STAT</code>	[0x0008]	RO	UARTn Status Register
<code>UARTn_INT_EN</code>	[0x000C]	R/W	UARTn Interrupt Enable Register
<code>UARTn_INT_FL</code>	[0x0010]	R/1	UARTn Interrupt Flag Register
<code>UARTn_BAUD0</code>	[0x0014]	R/W	UARTn Baud Rate Integer Register
<code>UARTn_BAUD1</code>	[0x0018]	R/W	UARTn Baud Rate Decimal Register
<code>UARTn_FIFO</code>	[0x001C]	R/W	UARTn FIFO Read/Write Register
<code>UARTn_DMA</code>	[0x0020]	R/W	UARTn DMA Configuration Register
<code>UARTn_TXFIFO</code>	[0x0024]	RO	UARTn TX FIFO Register

Table 7-3: UART Control 0 Register

UART Control 0 Register			UARTn_CTRL0		[0x0000]
Bits	Name	Access	Reset	Description	
31:24	-	R/W	0	Reserved for Future Use Do not modify this field.	

UART Control 0 Register			UARTn_CTRL0		[0x0000]
Bits	Name	Access	Reset	Description	
23:16	to_cnt	R/W	0	RX Timeout Frame Count If the RX FIFO contains data, a RX Timeout condition occurs if the time for the number of frames in this register passes without the FIFO receiving any new data. If a timeout occurs, the hardware sets the receive timeout flag to 1 ($UARTn_INT_FL.rxt0 = 1$).	
15	clk_sel	R/W	0	Bit Rate Clock Source Select Selects the bit rate clock, $f_{UART_BIT_RATE_CLK}$ 0: Peripheral Clock, $f_{UART_BIT_RATE_CLK} = f_{PCLK}$ 1: Reserved for Future Use	
14	break	R/W	0	Transmit BREAK Frame Set this field to 1 to send a BREAK frame. A BREAK frame transmits a character with all bits set to 0. 0: Normal UART operation. 1: Transmit BREAK frame.	
13	nullmod		0	Null Modem Support 0: Normal operation for RTS/CTS and TXD/RXD 1: Null Modem Mode: RTS/CTS swapped, TXD/RXD swapped	
12	flowpol	R/W	0	RTS/CTS Polarity 0: RTS/CTS asserted is 0 1: RTS/CTS asserted is 1	
11	flow	R/W	0	Hardware Flow Control Enable 0: Hardware flow control disabled. 1: Hardware RTS/CTS flow control enabled.	
10	stop	R/W	0	STOP Bit Mode Select 0: 1 STOP bit. 1: 1.5 STOP bits for 5-bit character size or 2 STOP bits for all other character sizes	
9:8	size	R/W	0	Character Size Set the number of data bits per frame. 0: 5 data bits 1: 6 data bits 2: 7 data bits 3: 8 data bits	
7	bitacc	R/W	0	Frame or Bit Accuracy Select This field selects between either Frame Accuracy or Bit Accuracy for transmitting data. Frame Accuracy: Individual frame bit durations may be varied by hardware to meet the target frame period. Bit accuracy: Bit width is fixed by hardware. The frame accuracy of data transmitted may be reduced if bit accuracy is prioritized. 0: Frame accuracy. 1: Bit accuracy. <i>Note: A frame includes the start, stop, all data bits, and parity bit/bits for the character being transmitted.</i>	
6	rxflush	R/W10	0	Receive FIFO Flush Write 1 to flush the receive FIFO Cleared to 0 by hardware when flush is completed	
5	txflush	R/W10	0	Transmit FIFO Flush Write 1 to flush the Transmit FIFO Cleared to 0 by hardware when flush is completed	

UART Control 0 Register			UARTn_CTRL0		[0x0000]
Bits	Name	Access	Reset	Description	
4	parity_lvl	R/W	0	Parity Level Select 0: Parity is based on number of 0 bits in the character. 1: Parity is based on number of 1 bits in the character.	
3:2	parity_mode	R/W	0	Parity Mode Select 0: Even parity 1: Odd Parity 2: Mark parity 3: Space parity	
1	parity_en	R/W	0	Parity Enable 0: No parity 1: Parity enabled as charsize+1 bit	
0	enable	R/W	0	UART Enable 0: UART disabled. FIFOs are flushed, bit rate generator is off. 1: UART Enabled, bit rate generator is active.	

Table 7-4: UART Control 1 Register

UART Control 1 Register			UARTn_CTRL1		[0x0004]
Bits	Name	Access	Reset	Description	
31:22	0	R/W	0	Reserved for Future Use Do not modify this field.	
21:16	rts_fifo_lvl	R/W	0	RTS RX FIFO Threshold Level When the RX FIFO level is equal to or greater than this level, assert RTS output signal to inform the transmitting UART to stop sending data to this UART. Valid values are from 0 to 32.	
15:14	-	R/W	0	Reserved for Future Use Do not modify this field.	
13:8	tx_fifo_lvl	R/W	0	TX FIFO Threshold Level When the TX FIFO level is less than or equal to this level the UARTn_INT_FL.tx_fifo_lvl interrupt flag is set. Valid values are from 0 to 32.	
7:6	-	R/W	0	Reserved for Future Use Do not modify this field.	
5:0	rx_fifo_lvl	R/W	0	RX FIFO Threshold Level When the RX FIFO reaches this level or higher the UARTn_INT_FL.rx_fifo_lvl interrupt flag is set. Valid values are from 0 to 32.	

Table 7-5: UART Status Register

UART Status Register			UARTn_STAT		[0x0008]
Bits	Name	Access	Reset	Description	
31:25	-	RO	0	Reserved for Future Use Do not modify this field.	
24	rx_to	RO	0	RX Timeout This field is set to 1 when a receive timeout occurs. This field is set by hardware when the condition occurs and is automatically cleared when the condition is no longer valid.	

UART Status Register			UART _n _STAT		[0x0008]
Bits	Name	Access	Reset	Description	
23:22	-	RO	0	Reserved for Future Use Do not modify this field.	
21:16	tx_num	RO	0	Number of Bytes in the TX FIFO Read this field to determine the number of bytes in the transmit FIFO.	
15:14	-	RO	0	Reserved for Future Use Do not modify this field.	
13:8	rx_num	RO	0	Number of Bytes in RX FIFO Read this field to determine the number of bytes in the receive FIFO.	
7	tx_full	RO	0	TX FIFO Full Status Flag This field reads 1 when the TX FIFO is full. This field is set by hardware when the condition occurs and is automatically cleared when the condition is no longer valid. 0: TX FIFO is not full. 1: TX FIFO is full.	
6	tx_empty	RO	1	TX FIFO Empty Flag This field reads 1 when the TX FIFO is empty. This field is set by hardware when the condition occurs and is automatically cleared when the condition is no longer valid. 0: TX FIFO is not empty, tx_num > 0. 1: TX FIFO is empty.	
5	rx_full	RO	0	RX FIFO Full Flag This field reads 1 when then RX FIFO is full. This field is set by hardware when the condition occurs and is automatically cleared when the condition is no longer valid. 0: RX FIFO is not full. 1: RX FIFO is full.	
4	rx_empty	RO	1	RX FIFO Empty Flag This flag reads 1 when the RX FIFO is empty.	
3	break	RO	0	Break Flag This field is set when a break condition occurs. 0: BREAK not received. 1: BREAK condition received.	
2	parity	RO	0	Parity Bit State This field returns the state of the parity bit. 0: Parity bit is 0. 1: Parity bit is 1.	
1	rx_busy	RO	0	RX Busy This field reads 1 when the UART is receiving data. 0: UART is not actively receiving data. 1: UART is actively receiving data.	
0	tx_busy	RO	0	TX Busy This field reads 1 when the UART is transmitting data. 0: UART is not actively transmitting data. 1: UART is transmitting data.	

Table 7-6: UART Interrupt Enable Register

UART Interrupt Enable Register			UARTn_INT_EN		[0x000C]
Bits	Name	Access	Reset	Description	
31:10	-	R/W	0	Reserved for Future Use Do not modify this field.	
9	last_break	R/W	0	Last Break Interrupt Enable When the UART receives a series of BREAK frames, this enables an interrupt when the last BREAK frame is received.	
8	rx_to	R/W	0	RX Timeout Interrupt Enable Enable the receive timeout interrupt.	
7	break	R/W	0	Received BREAK Interrupt Enable Enables the BREAK interrupt for the first BREAK received on the UART.	
6	tx_fifo_lvl	R/W	0	TX FIFO Threshold Level Interrupt Enable Enables the tx_fifo_lvl interrupt when the number of entries in the TX FIFO >= <i>UARTn_CTRL1.tx_fifo_lvl</i>	
5	tx_fifo_ae	R/W	0	TX FIFO One Byte Remaining Interrupt Enable	
4	rx_fifo_lvl	R/W	0	RX FIFO Threshold Level Interrupt Enable Enables interrupt when number of entries in RX FIFO >= <i>UARTn_CTRL1.rx_fifo_lvl</i>	
3	rx_overnun	R/W	0	RX FIFO Overrun Interrupt Enable Enables an interrupt when a write is made to a full RX FIFO	
2	cts	R/W	0	CTS State Change Interrupt Enable Enable the CTS level change interrupt event. This is also called Modem Status Interrupt.	
1	rx_parity_error	R/W	0	RX Parity Error Interrupt Enable	
0	rx_frame_error	R/W	0	RX Frame Error Interrupt Enable	

Table 7-7: UART Interrupt Flags Register

UART Interrupt Flags Register			UARTn_INT_FL		[0x0010]
Bits	Name	Access	Reset	Description	
31:10	-	RO	0	Reserved for Future Use Do not modify this field.	
9	last_break	R/W1C	0	Last Break Interrupt Flag When the UART receives a series of BREAK frames, this flag is set when the last BREAK frame is received. Write 1 to clear this field. 0: Last BREAK condition has not occurred. 1: Last BREAK condition has occurred.	
8	rx_to	R/W1C	0	Receive Frame Timeout Interrupt Flag This field is set when a receive frame timeout occurs. Write 1 to clear this field. 0: Receive frame timeout has not occurred. 1: A receive frame timeout was detected by the UART.	
7	break	R/W1C	0	Received Break Interrupt Flag When the UART receives a series of BREAK frames, this flag is set when the first BREAK frame is received. Write 1 to clear this field.	

UART Interrupt Flags Register			UARTn_INT_FL		[0x0010]
Bits	Name	Access	Reset	Description	
6	tx_fifo_lvl	R/W1C	0	Transmit FIFO Threshold Interrupt Flag Set when number of entries in in the Transmit FIFO is greater than or equal to the Transmit FIFO level set in <i>UARTn_CTRL1.tx_fifo_lvl</i> . Write 1 to clear.	
5	tx_fifo_ae	R/W1C	0	Transmit FIFO Almost Empty Interrupt Flag This field is set when there is one byte remaining in the Transmit FIFO. Write 1 to clear.	
4	rx_fifo_lvl	R/W1C	0	RX FIFO Threshold Interrupt Flag Set when number of entries in the RX FIFO is equal to or greater than the RX FIFO threshold level as set in the <i>UARTn_CTRL1.rx_fifo_lvl</i> field. Data must be read from the RX FIFO to reduce the level below the threshold to guarantee this interrupt does not occur again after clearing the flag. Write 1 to clear this field. 0: The number of bytes in the RX FIFO is below the threshold level. 1: The number of bytes in the RX FIFO is equal to or greater than the threshold level.	
3	rx_ovr	R/W1C	0	RX FIFO Overrun Interrupt Flag This field is set if the receive FIFO is full and an additional byte is received resulting in a FIFO overrun condition. If this field is set at least one byte of received data has been lost. Write 1 to clear. 0: RX FIFO overrun has not occurred. 1: RX FIFO overrun occurred.	
2	cts	R/W1C	0	CTS Interrupt Flag Also called Modem Status Interrupt	
1	parity	R/W1C	0	Receive Parity Error Status Flag Set if a parity error is detected. This flag applies to data received only. Write 1 to clear. 0: Parity error has not been detected. 1: Parity error detected.	
0	frame	R/W1C	0	Frame Error Status Flag Set if a frame error occurs while receiving data. Write 1 to clear.	

Table 7-8: UART Rate Integer Register

UART Baud Rate Integer Register			UARTn_BAUD0		[0x0014]
Bits	Name	Access	Reset	Description	
31:17	-	R/W	0	Reserved for Future Use Do not modify this field.	

UART Baud Rate Integer Register				UARTn_BAUD0	[0x0014]														
Bits	Name	Access	Reset	Description															
18:16	clkdiv	R/W	0b000	Bit Rate Clock Divisor This field is used to divide the bit rate clock by the selected Clock Divider value. <table border="1" data-bbox="690 336 1117 604"> <thead> <tr> <th>clkdiv</th> <th>Clock Divider Value</th> </tr> </thead> <tbody> <tr> <td>0b000</td> <td>128</td> </tr> <tr> <td>0b001</td> <td>64</td> </tr> <tr> <td>0b010</td> <td>32</td> </tr> <tr> <td>0b011</td> <td>16</td> </tr> <tr> <td>0b100</td> <td>8</td> </tr> <tr> <td>0b101 - 0b111</td> <td>Reserved for Future Use</td> </tr> </tbody> </table> Refer to the UART Bit Rate Calculation section for details of determining this field's value for a given UART bit rate.		clkdiv	Clock Divider Value	0b000	128	0b001	64	0b010	32	0b011	16	0b100	8	0b101 - 0b111	Reserved for Future Use
clkdiv	Clock Divider Value																		
0b000	128																		
0b001	64																		
0b010	32																		
0b011	16																		
0b100	8																		
0b101 - 0b111	Reserved for Future Use																		
15:12	-	R/W	0	Reserved for Future Use Do not modify this field.															
11:0	ibaud	R/W	0	Integer Portion of Baud Rate Divisor This field contains the integer value of the bit rate divisor. Refer to the UART Bit Rate Calculation section for details of determining this field's value for a given UART bit rate.															

Table 7-9: UART Baud Rate Decimal Register

UART Baud Rate Decimal Register				UARTn_BAUD1	[0x0018]
Bits	Name	Access	Reset	Description	
31:12	-	R/W	0	Reserved for Future Use Do not modify this field.	
11:0	dbaud	R/W	0	Decimal Portion of Baud Rate Divisor This field contains the remainder portion of the bit rate divisor. Refer to the UART Bit Rate Calculation section for details of determining this field's value for a given UART bit rate.	

Table 7-10: UART FIFO Register

UART FIFO Register				UARTn_FIFO	[0x001C]
Bits	Name	Access	Reset	Description	
31:8	-	R/W	0	Reserved for Future Use Do not modify this field.	
7:0	fifo	R/W	N/A	UART FIFO Register Reading this field reads data from the RX FIFO and writes to this field write to the TX FIFO.	

Table 7-11: UART DMA Configuration Register

UART DMA Configuration Register				UARTn_DMA	[0x0020]
Bits	Name	Access	Reset	Description	
31:22	-	R/W	0	Reserved for Future Use Do not modify this field.	

UART DMA Configuration Register			UARTn_DMA		[0x0020]
Bits	Name	Access	Reset	Description	
21:16	rxdma_lvl	R/W	0	RX FIFO Level DMA Trigger If the RX FIFO level is greater than this value, the DMA channel transfers data from the RX FIFO into memory. DMA transfers continue until the RX FIFO is empty. To avoid an RX FIFO overrun, do not set this value to 32. Values above 32 are reserved for future use.	
15:14	-	R/W	0	Reserved for Future Use Do not modify this field.	
13:8	txdma_lvl	R/W	0	TX FIFO Level DMA Trigger If the TX FIFO level is less than this value, the DMA channel transfers data from memory into the TX FIFO. DMA transfers continue until the TX FIFO is full. To avoid stalling a UART transmission, do not set this value to 1 or 0. Values above 32 are reserved for future use.	
7:2	-	R/W	0	Reserved for Future Use Do not modify this field.	
1	rxdma_en	R/W	0	RX FIFO DMA Channel Enable 0: RX DMA is disabled 1: RX DMA is enabled	
0	txdma_en	R/W	0	TX FIFO DMA Channel Enable 0: TX DMA is disabled 1: TX DMA is enabled	

Table 7-12: UART TX FIFO Data Output Register

UART TX FIFO Data Output Register			UARTn_TXFIFO		[0x0024]
Bits	Name	Access	Reset	Description	
31:8	-	R/W	0	Reserved for Future Use Do not modify this field.	
7:0	data	RO	0	TX FIFO Data Output Peek Register Reads from this register return the next character available for transmission at the end of the TX FIFO. If no data is available, 0x00 is returned. Reads from this register do not affect the TX FIFO state.	

8 Real-Time Clock (RTC)

8.1 Overview

The Real-Time Clock (RTC) is a binary timer that keeps the time of day and provides time-of-day and sub-second alarm functionality in the form of RTC system interrupts. The RTC time base is created using a 32.768kHz crystal connected between the 32KIN and 32KOUT pins on the MAX32660. See the MAX32660 datasheet for detailed connection and pin information related to the 32KIN and 32KOUT pins.

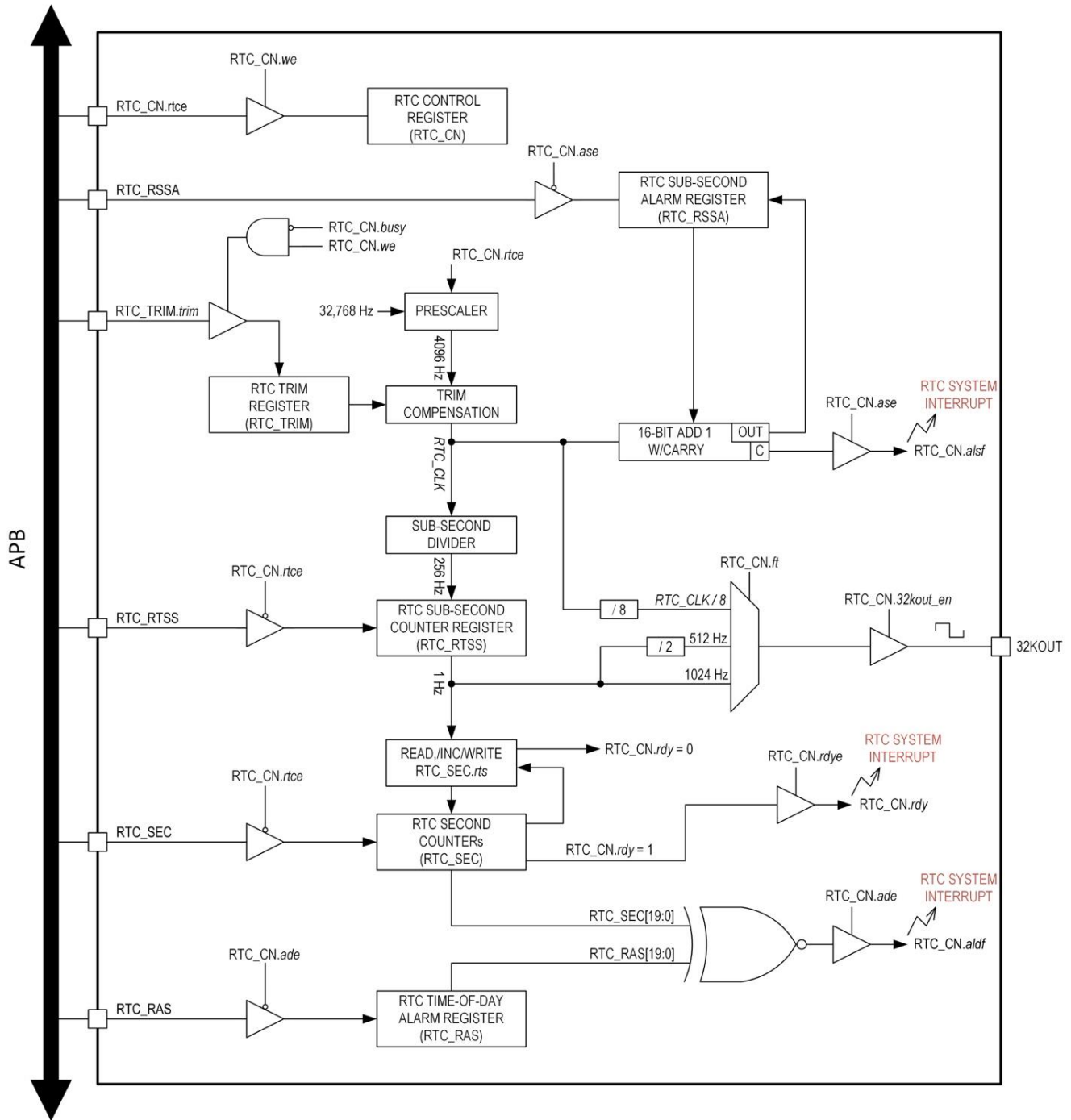
In the RTC, two registers combine to create a 40-bit counter representing time with 1/256 second resolution. The `RTC_SSEC.rtss` field contains the least significant 8 bits and represents the sub-second count. The `RTC_SEC.rts` field contains the most significant 32 bits and represents the seconds count. The `RTC_SEC.rts` field increments on each rollover of the `RTC_SSEC.rtss` field. Together the 40 bits represent time in seconds up to approximately 136 years.

A programmable time-of-day alarm is usable with the 32-bit seconds counter to provide a single event/alarm timer. You must disable the RTC to write the counter registers. When the RTC counter is started, the RTC counts continuously unless it is disabled, and reads of the counter registers do not affect the count. Digital trim is available for applications requiring higher accuracy.

A separate 32-bit auto-reload sub-second alarm counter register (`RTC_RSSA`) generates interval alarms. Incremented at 256Hz, this counter has a granularity of 3.9 msec, with a maximum interval of approximately 16,777,216 seconds.

The RTC operates in the always-on domain. Once enabled, it continues counting as long as the RTC is enabled and the VRTC supply remains within the acceptable range given in the datasheet. The RTC increments the `RTC_TRIM.vrtc_tmr` field every 32 seconds when the RTC is enabled and operating.

Figure 8-1. RTC Block Diagram



8.2 RTC Alarm Functions

The RTC provides time-of-day and sub-second interval alarm functions. The time-of-day alarm is implemented by matching the count values in the counter register with the value stored in the alarm register. The sub-second interval alarm provides an auto-reload timer that is driven by the trimmed RTC clock source.

8.2.1 Time-of-Day Alarm

Program the RTC Time-of-Day Alarm register (*RTC_RAS*) to configure the time-of-day-alarm. The alarm triggers when the value stored in *RTC_RAS* matches the lower 20 bits of the *RTC_SEC.rts* seconds count register. This allows programming the time-of-day-alarm to any future value between 1 second and 12 days relative to the current time with a resolution of 1 second. You must disable the time-of-day alarm before changing the *RTC_RAS.tod* field.

When the alarm occurs, hardware sets the Time-of-Day Alarm Interrupt Flag (*RTC_CTRL.alarm_tod_fl*) to 1.

Setting the *RTC_CTRL.alarm_tod_fl* bit to 1 in software results in an interrupt request to the processor if the Alarm Time-of-Day Interrupt Enable (*RTC_CTRL.alarm_tod_en*) bit is set to 1, and the RTC's system interrupt enable is set.

8.2.2 Sub-Second Alarm

The *RTC_RSSA* and *RTC_CTRL.alarm_ss_en* field control the sub-second alarm. Writing *RTC_RSSA* sets the starting value for the sub-second alarm counter. Writing the Sub-Second Alarm Enable (*RTC_CTRL.alarm_ss_en*) bit to 1 enables the sub-second alarm. Once enabled, the sub-second alarm begins up-counting from the *RTC_RSSA* value. When the counter rolls over from 0xFFFF FFFF to 0x0000 0000, hardware sets the *RTC_CTRL.alarm_ss_fl* bit triggering the alarm. At the same time, hardware also reloads the counter with the value previously written to *RTC_RSSA.rssa*. A 256Hz clock drives the sub-second alarm allowing a maximum interval of 16,777,216 seconds with a resolution of approximately 3.9 msec.

You must disable the sub-second interval alarm, *RTC_CTRL.alarm_ss_en*, prior to changing the interval alarm value, *RTC_RSSA*.

The delay (uncertainty) associated with enabling the sub-second alarm is up to one period of the sub-second clock, approximately 3.9 msec based on 256Hz RTC clock input to the register. This uncertainty is propagated to the first interval alarm. Thereafter, if the interval alarm remains enabled, the alarm triggers after each sub-second interval as defined without the first alarm uncertainty because the sub-second alarm is an auto-reload timer. Enabling the sub-second alarm with with the sub-second alarm register set to 0 (*RTC_RSSA.rssa* = 0) results in the maximum sub-second alarm interval.

8.2.3 RTC Wakeup From DEEPSLEEP/BACKUP Power Modes

The RTC alarms are an optional wakeup source for the MAX32660 during DEEPSLEEP/BACKUP mode. Perform the following steps to use the RTC as a DEEPSLEEP/BACKUP wakeup source:

1. Configure the RTC Time-of-Day Alarm for the required number of seconds.
2. Create a RTC IRQ handler function and register the address of the RTC IRQ handler using the NVIC.
3. Enable the RTC time of day interrupt enable, (*RTC_CTRL.alarm_tod_en* = 1).
4. Enable the System wakeup for the RTC by setting the *GCR_PM.rtcwk_en* field to 1.
5. Enter the desired low power mode. Refer to section *Operating Modes* for details on entering DEEPSLEEP or BACKUP mode.

8.3 RTC Register Access

Restricted access to specific registers prevents software reading from or writing to the RTC registers while they are updated by the RTC hardware.

8.3.1 RTC Register Write Protection

The *RTC_CTRL.busy* bit is a read-only status bit controlled by hardware and set when any of the following conditions occur:

- System Reset.
- Software writes to the *RTC_SEC* register or RTC trim registers.
- Software modifies the *RTC_CTRL.enable*, *RTC_CTRL.alarm_tod_en*, or *RTC_CTRL.alarm_ss_en* bits.

When the *RTC_CTRL.busy* bit is set by hardware, writes to the above RTC control bits and count registers are blocked by hardware. The *RTC_CTRL.busy* bit remains active until the register or bit is synchronized by hardware. The synchronization by hardware occurs on the next rising edge of the 32kHz clock. The *RTC_CTRL.busy* bit is set for a maximum of one 4kHz clock, approximately 250μs. Therefore, a software write is not complete until hardware clears the *RTC_CTRL.busy* bit indicating that a 32kHz synchronized version of the registers and bit are in place.

Once the *RTC_CTRL.busy* bit is cleared to 0, additional writes are completed as permitted by individual count or alarm-enable bits.

8.3.2 RTC Register Read Protection

The Ready (*RTC_CTRL.ready*) bit indicates when the RTC count registers contain valid data. Hardware clears the *RTC_CTRL.ready* bit approximately one 4kHz clock before the ripple occurs through the RTC counter registers (*RTC_SEC* and *RTC_SSEC*) and is set once again immediately after the ripple occurs. The period of the *RTC_CTRL.ready* bit set/clear activity is approximately 3.9 msec, providing a large window during which the RTC count registers are readable. Software can clear the *RTC_CTRL.ready* bit at any time and the bit remains clear until set by hardware when the next ripple occurs. A separate Ready Enable (*RTC_CTRL.ready_int_en*) bit is provided to generate an interrupt when hardware sets the *RTC_CTRL.ready* bit. You can use this interrupt to signal the start of a new RTC read window.

8.3.3 RTC Count Register Access

The RTC count registers (*RTC_SEC* and *RTC_SSEC*) are readable when the *RTC_CTRL.ready* bit is set to 1. Data read from these registers when *RTC_CTRL.ready* is 0 is invalid. To write the RTC count registers, set the RTC Enable (*RTC_CTRL.enable*) bit to 0. Clearing the *RTC_CTRL.enable* bit is permitted only when the Write Enable (*RTC_CTRL.write_en*) bit is set to 1 and is governed by the *RTC_CTRL.busy* bit signaling process (that is, the *RTC_CTRL.busy* bit is 0). Writes to each RTC count register must occur only when the *RTC_CTRL.busy* bit reads 0.

8.3.4 RTC Alarm Register Access

The RTC alarm registers (*RTC_RAS* and *RTC_RSSA*) are readable at any time. To write to an alarm register, disable the corresponding alarm enable first (*RTC_CTRL.alarm_ss_en* = 0 or *RTC_CTRL.alarm_tod_en* = 0). Clearing these bits requires monitoring the *RTC_CTRL.busy* bit to assess completion of the write. Once the alarm is disabled, update the associated RTC alarm registers using software.

8.3.5 RTC Trim Register Access

The RTC Trim register (*RTC_TRIM*) is readable at any time. To write to this register, set the Write Enable (*RTC_CTRL.write_en*) bit to 1 and check the *RTC_CTRL.busy* bit until it reads 0 and then write the *RTC_TRIM* register.

8.3.6 RTC Oscillator Control Register Access

The RTC oscillator control register (*RTC_OSCCTRL*) is readable at any time. To write to this register, set the Write Enable (*RTC_CTRL.write_en*) bit to 1 and check the *RTC_CTRL.busy* bit until it reads 0 and then write to the *RTC_OSCCTRL* register.

8.4 RTC Output Pin

The RTC is capable of outputting the raw 4KHz signal or a trim compensated 1KHz or 512Hz signal to the 32KCAL alternate pin function. On both the 16 WLP package and the 20 TQFN package for the MAX32660 the 32KCAL is alternate function 2 on pin P0.2. P0.2 corresponds to GPIO0[2].

8.5 RTC Calibration

The uncompensated accuracy of the RTC is a function of the attached crystal. A digital trim facility allows the device to compensate for up to ± 127 ppm (parts per million) as designated by the *RTC_TRIM.trim* register field.

Complete the following steps to measure a square wave output on the 32KCAL alternate function pin and determine the accuracy of the RTC:

1. Enable the 32KCAL alternate function. Refer to the *RTC Output Pin* section for details
2. Set the *RTC_CTRL.freq_sel* field to the desired output frequency.
3. Set *RTC_CTRL.32kout_en* to 1, enabling the square wave output on the 32KCAL alternate pin function.
4. Measure the square wave output and compare it to an accurate reference clock.
5. Set *RTC_CTRL.write_en* to 1, and adjust the *RTC_TRIM* register.
6. Repeat steps 1 through 5 as necessary until optimum accuracy is achieved.

8.6 RTC Registers

Refer to the *Peripheral Register Map* section for the Real-Time Clock (RTC) Base Address.

Table 8-1. RTC Registers, Offsets and Descriptions

Register	Offset	Access	Description
<i>RTC_SEC</i>	[0x0000]	R/W	Seconds Counter Register
<i>RTC_SSEC</i>	[0x0004]	R/W	Sub-Seconds Counter Register
<i>RTC_RAS</i>	[0x0008]	R/W	Alarm Time-of-Day Register
<i>RTC_RSSA</i>	[0x000C]	R/W	Sub-Second Alarm Register
<i>RTC_CTRL</i>	[0x0010]	R/W	Control Register
<i>RTC_TRIM</i>	[0x0014]	R/W	Trim Register
<i>RTC_OSCCTRL</i>	[0x0018]	R/W	Oscillator Control Register

8.6.1 RTC Register Details

Table 8-2: RTC Seconds Counter Register

RTC Seconds Counter Register			RTC_SEC		[0x00]
Bits	Name	Access	Reset	Description	
31:0	rts	R/W	-	Seconds Counter This register is the 32-bit count of seconds.	

Table 8-3: RTC Sub-Seconds Counter Register

RTC Sub-Seconds Counter Register			RTC_SSEC		[0x04]
Bits	Name	Access	Reset	Description	
31:8	-	R/W	0	Reserved for Future Use Do not modify this field.	

RTC Sub-Seconds Counter Register			RTC_SSEC		[0x04]
Bits	Name	Access	Reset	Description	
7:0	rtss	R/W	-	Sub-Seconds Counter This field represents sub-seconds and increments at 256Hz. When this field rolls from 0xFF to 0x00, the RTC_SEC.count increments.	

Table 8-4: RTC Sub-Seconds Counter Register

RTC Alarm Time-of-Day Register			RTC_RAS		[0x08]
Bits	Name	Access	Reset	Description	
31:20	-	R/W	0	Reserved for Future Use Do not modify this field.	
19:0	ras	R/W	0	Time-of-Day Alarm Sets the time-of-day alarm from 1 second up to 12-days. When this field matches RTC_SEC[19:0], an RTC system interrupt is generated.	

Table 8-5: RTC Sub-Second Alarm Register

RTC Sub-Second Alarm Register			RTC_RSSA		[0x0C]
Bits	Name	Access	Reset	Description	
31:0	rssa	R/W	0	Sub-second Alarm Sets the starting value for the sub-second alarm. The sub-second alarm increments at 256Hz providing an alarm interval of up to 16,777,216 seconds in increments of 3.9 msec. An alarm is generated when the counter rolls from 0xFFFF FFFF to 0x0000 0000.	

Table 8-6: RTC Control Register

RTC Control Register			RTC_CTRL		[0x10]
Bits	Name	Access	Reset	Description	
31:16	-	R/W	0	Reserved for Future Use Do not modify this field.	
15	write_en	R/W	0	Write Enable Set this field to 1 to write to the RTC_TRIM register, the RTC enable (RTC_CTRL.enable) bit, or both. <ul style="list-style-type: none"> 1: Writes to the RTC_TRIM register and the RTC_CTRL.enable bit are allowed. 0: Writes to the RTC_TRIM register and the RTC_CTRL.enable bit are ignored. 	
14:13	-	R/W	0	Reserved for Future Use Do not modify this field.	
12:11	x32k_mode	R/W	0	32kHz Oscillator Mode Select Selects the operating mode for the 32kHz oscillator. <ul style="list-style-type: none"> 0: Operates in noise immunity mode 1: Operates in quiet mode. Oscillator warm-up is not required. 2: Operates in noise immunity mode when the processor is in active modes and switches to quiet mode when the processor enters DEEPSLEEP. The system waits for the 32kHz oscillator to warm-up prior to the processor exiting stop mode. 3: Operates in noise immunity mode when the processor is in active modes and switches to quiet mode when the processor enters stop mode. The system does not wait for the 32kHz oscillator to warm-up prior to the processor exiting stop mode and beginning code execution. 	

RTC Control Register			RTC_CTRL		[0x10]
Bits	Name	Access	Reset	Description	
10:9	freq_sel	R/W	0	Frequency Output Select Selects the output frequency to output on the 32KCAL alternate function output pin if the RTC_CTRL.32kout_en bit is set to 1 and the GPIO is enabled for the alternate pin function 32KCAL; unused otherwise. 0b00: 1Hz (Compensated) 0b01: 512Hz (Compensated) 0b1x: 4kHz	
8	32kout_en	R/W	-	Square Wave Output Enable 0: Square wave output disabled. 1: Square wave is output on the 32KCAL alternate function pin with the frequency determined by the RTC_CTRL.freq_sel field. <i>Note: This bit is set to 0 on a POR and is not affected by other resets.</i>	
7	alarm_ss_fl	R/W	0	Sub-second Alarm Interrupt Flag This interrupt flag is set when a sub-second alarm condition occurs. This flag is a wake-up source for the processor. 0: No sub-second alarm pending. 1: Sub-second interrupt pending.	
6	alarm_tod_fl	R/W	0	Time-of-Day Alarm Interrupt Flag This interrupt flag is set by hardware when a time-of-day alarm occurs. This flag is a wake-up source for the processor. 0: No Time-of-Day alarm interrupt pending. 1: Time-of-day interrupt pending.	
5	ready_int_en	R/W	0	RTC Ready Interrupt Enable This interrupt flag is set when the RTC ready bit is set by hardware. 0: Interrupt disabled. 1: Interrupt enabled.	
4	ready	R/WOO	0	RTC Ready This bit is set to 1 by hardware when the <i>RTC_SEC</i> register is updated. Software can clear this bit at any time. Hardware automatically clears this bit just prior to updating the <i>RTC_SEC</i> register, indicating the RTC is busy. 0: RTC_SEC register not updated. 1: RTC_SEC register updated.	
3	busy	RO	0	RTC Busy Flag This bit is set by hardware when changes to the RTC registers are synchronized. The bit is automatically cleared by hardware when the synchronization is complete. Software should poll this field for 0 after changing RTC registers to ensure the change is complete prior to making any other RTC register changes. 0: RTC not busy. 1: RTC busy.	
2	alarm_ss_en	R/W	0	Sub-Second Alarm Interrupt Enable Set this bit to 1 to enable the RTC sub-second alarm interrupt. Check the RTC_CTRL.busy flag after writing this bit to determine when the RTC synchronization is complete. 0: Alarm sub-second interrupt disabled. 1: Enable alarm sub-second interrupt.	
1	alarm_tod_en	R/W	0	Time-of-Day Alarm Interrupt Enable Set this bit to 1 to enable the RTC time-of-day alarm interrupt. Check the RTC_CTRL.busy flag after writing to this bit to determine when the RTC synchronization is complete. 0: Time-of-day alarm interrupt is disabled. 1: Enable the time-of-day alarm interrupt.	

RTC Control Register			RTC_CTRL		[0x10]
Bits	Name	Access	Reset	Description	
0	enable	R/W	0	Real-Time Clock Enable Enables and disables the RTC. The RTC write enable (RTC_CTRL.write_en) bit must be set before changing this field. RTC Busy (RTC_CTRL.busy) must read 0 before writing to this bit (RTC_CTRL.write_en). After writing to this bit, check the RTC_CTRL.busy flag for 0 to determine when the RTC synchronization is complete. 0: RTC disabled. 1: RTC enabled.	

Table 8-7: RTC Trim Register

RTC Trim Register			RTC_TRIM		[0x14]
Bits	Name	Access	Reset	Description	
31:8	vrtc_tmr	R/W	0	VRTC Time Counter This field is used to show the number of seconds the RTC has since the RTC was enabled. Hardware increments this field every 32 seconds. <i>Note: This field is reset on a Power On Reset (POR).</i>	
7:0	trim	R/W	0	RTC Trim This field specifies the 2s complement value of the trim resolution. Each increment or decrement of the field adds or subtracts 1ppm at each 4kHz clock value with a maximum correction of ± 127 ppm.	

Table 8-8: RTC Oscillator Control Register

RTC Oscillator Control Register			RTC_OSCCTRL		[0x18]
Bits	Name	Access	Reset	Description	
31:16	-	R/W	0	Reserved for Future Use Do not modify this field.	
5	32kout	R/W	0	RTC Square Wave Output 0: 32kHz signal is not output to port pin (POR default). 1: Outputs the raw 32kHz clock to the 32KCAL alternate function if the alternate function is enabled. <i>Note: This field is only reset on POR and not effected by other forms of reset.</i>	
4	bypass	R/W	0	RTC Crystal Bypass Bypass the crystal oscillator to allow a digital square wave to be driven on the 32KIN pin. 0: Disable bypass (POR default) 1: Enable bypass <i>Note: This field is only reset on POR and not effected by other forms of reset.</i>	
3	ibias_en	R/W	1	RTC Oscillator Bias Current Enable Enables 4× or 2× bias current selected by RTC_OSCCTRL.ibias_sel in noise immunity mode 0: Disable 1: Enable (POR default) <i>Note: This field is only reset on POR and not effected by other forms of reset.</i>	
2	hyst_en	R/W	0	RTC Oscillator Hysteresis Buffer Enable Enables the RTC hysteresis buffer in noise immunity mode. This increases DC current consumption by ~144nA. 0: Disable (POR default) 1: Enable <i>Note: This field is only reset on POR and not effected by other forms of reset.</i>	

RTC Oscillator Control Register			RTC_OSCCTRL		[0x18]
Bits	Name	Access	Reset	Description	
1	ibias_sel	R/W	0	RTC Oscillator 4× Bias Current Select 0: selects 2× bias current for RTC oscillator (POR default). 1: selects 4× bias current for RTC oscillator. <i>Note: This field is only reset on POR and not effected by other forms of reset.</i>	
0	filter_en	R/W	1	RTC Oscillator Filter Enable 0: Disable RTC oscillator filter 1: Enable RTC oscillator filter (POR default) <i>Note: This field is only reset on POR and not effected by other forms of reset.</i>	

9 Timers

The MAX32660 contains three 32-bit, reloadable timers. Each timer provides multiple operating modes:

- One-Shot: Timer counts up to terminal value then halts.
- Continuous: Timer counts up to terminal value then repeats.
- Counter: Timer counts input edges received on timer input pin.
- Pulse Width Modulated (PWM) / PWM Differential.
- Capture: Captures a snapshot of the current timer count when timer input edge transitions.
- Compare: Timer pin toggles when timer exceeds terminal count.
- Gated: Timer increments only when timer input pin is asserted.
- Capture/Compare: Timer counts when timer input is asserted, captures timer count when input is deasserted.

9.1 Features

- 32-bit reload counter
- Programmable prescaler with values from 1 to 4096
- Non-overlapping PWM output generation with configurable off-time
- Capture, compare, and capture/compare capability
- Timer pin available as alternate function
- Configurable Input pin for event triggering, clock gating, or capture signal
- Timer output pin for event output and PWM signal generation
- Independent interrupt

9.2 Basic Operation

The timer modes operate by incrementing the *TMRn_CNT* register, driven by either the timer clock, an external stimulus on the timer pin, or a combination of both. The *TMRn_CNT* register is always readable, even while the timer is enabled and counting.

Each timer mode has a user-configurable timer period, which terminates on the timer clock cycle following the end of timer period condition. Each timer mode has a different response at the end of a timer period, which can include changing the state of the timer pin, capturing a timer value, reloading *TMRn_CNT* with a new starting value, or disabling the counter. The end of a timer period will always set the corresponding interrupt bit and can generate an interrupt, if enabled.

In most modes the timer peripheral automatically sets *TMRn_CNT* to 0x0000 0001 at the end of a timer period, but *TMRn_CNT* is set to 0x0000 0000 following a system reset. This means the first timer period following a system reset will be

one timer clock longer than subsequent timer periods if *TMRn_CNT* is not initialized to 0x0000 0001 during the timer configuration step.

Clocking of timer functions is driven by the timer clock frequency, f_{CNT_CLK} . The timer clock frequency is a user-configurable, division of the system peripheral clock, PCLK. Each timer has an independent prescaler, allowing timers to operate at different frequencies. The prescaler can be set from 1 to 4096 using the *TMRn_CN.pres3:TMRn_CN.pres* fields. Unless otherwise mentioned, the timer clock is generated as follows:

Equation 9-1

$$f_{CNT_CLK} = \frac{f_{PCLK}}{\text{prescaler}}$$

Application firmware writes to the timer registers and external events on timer pins will be asynchronous events to the slower timer clock frequency. These events are latched on the next rising edge of the timer clock. Since it is not possible to observe the timer clock directly, input events may have up to 0.5 timer clock delay before being recognized.

9.3 Timer Pin Functionality

Most timers have an associated timer pin that can function as an optional input or output depending on the selected timer mode. The timer pin functionality is mapped as an alternate function that is shared with a GPIO. Timer pin assignments are detailed in the data sheet for the specific device.

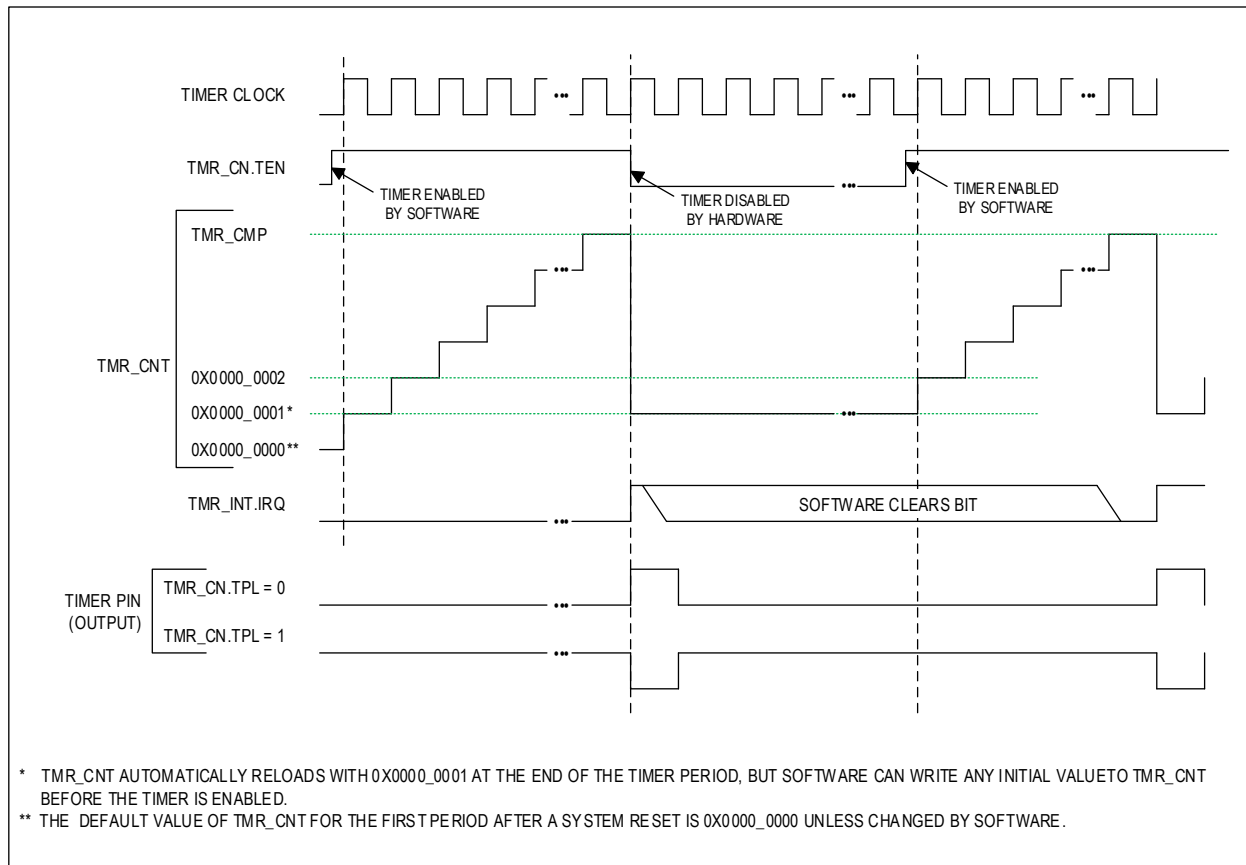
When the timer pin alternate function is enabled, the timer pin will have the same electrical characteristics, such as pullup/pulldown strength, drive strength, etc. as the GPIO mode settings for that pin. When configured as an output, the corresponding bit in the GPIO_OUT register should be configured to match the inactive state of the timer pin for that mode. The pin characteristics must be configured before enabling the timer. Consult the GPIO section for details on how to configure the electrical characteristics for the pin.

Each timer has a dedicated interrupt flag, *TMRn_INT irq*, which is set at the end of a timer period. If enabled, an interrupt will be generated. The interrupt flag can be cleared by writing any value to *TMRn_INT irq*.

9.4 One-Shot Mode (000b)

In One-shot mode the timer peripheral increments *TMRn_CNT* until it matches *TMRn_CMP* and then stops incrementing and disables the timer. The timer can optionally output a pulse on the timer pin at the end of the timer period. In this mode, the timer must be re-enabled to start another one-shot mode event.

Figure 9-1: One-Shot Mode Diagram



9.4.1 Timer Period

The timer period ends on the timer clock following $TMRn_CNT = TMRn_CMP$.

The timer peripheral automatically performs the following actions at the end of the timer period:

1. $TMRn_CNT$ is reset to 0x0000 0001.
2. The timer is disabled by setting $TMRn_CN.ten = 0$.
3. If the timer output is enabled, the timer pin is driven to its active state for one timer clock. It then returns to its inactive state.
4. The timer interrupt bit $TMRn_INT.irq$ will be set. An interrupt will be generated if enabled.

9.4.2 Configuration

Configure the timer for One-Shot mode by doing the following:

1. Set $TMRn_CN.ten = 0$ to disable the timer. Set $TMRn_CN.tmode$ to 000b to select One-shot mode.
2. Set $TMRn_CN.pres3:TMRn_CN.pres$ to set the prescaler that determines the timer frequency.
3. If using the timer pin:
 - a. Configure the pin as a timer output and configure the electrical characteristics as needed.
 - b. Set $TMRn_CN.tpol$ to match the desired (inactive) state.
4. If using the timer interrupt, enable the interrupt and set the interrupt priority.
5. Write an initial value to $TMRn_CNT$, if desired. This effects only the first period; subsequent timer periods always reset $TMRn_CNT = 0x0000\ 0001$.
6. Write the compare value to $TMRn_CMP$.
7. Set $TMRn_CN.ten = 1$ to enable the timer.

The timer period is calculated using the following equation:

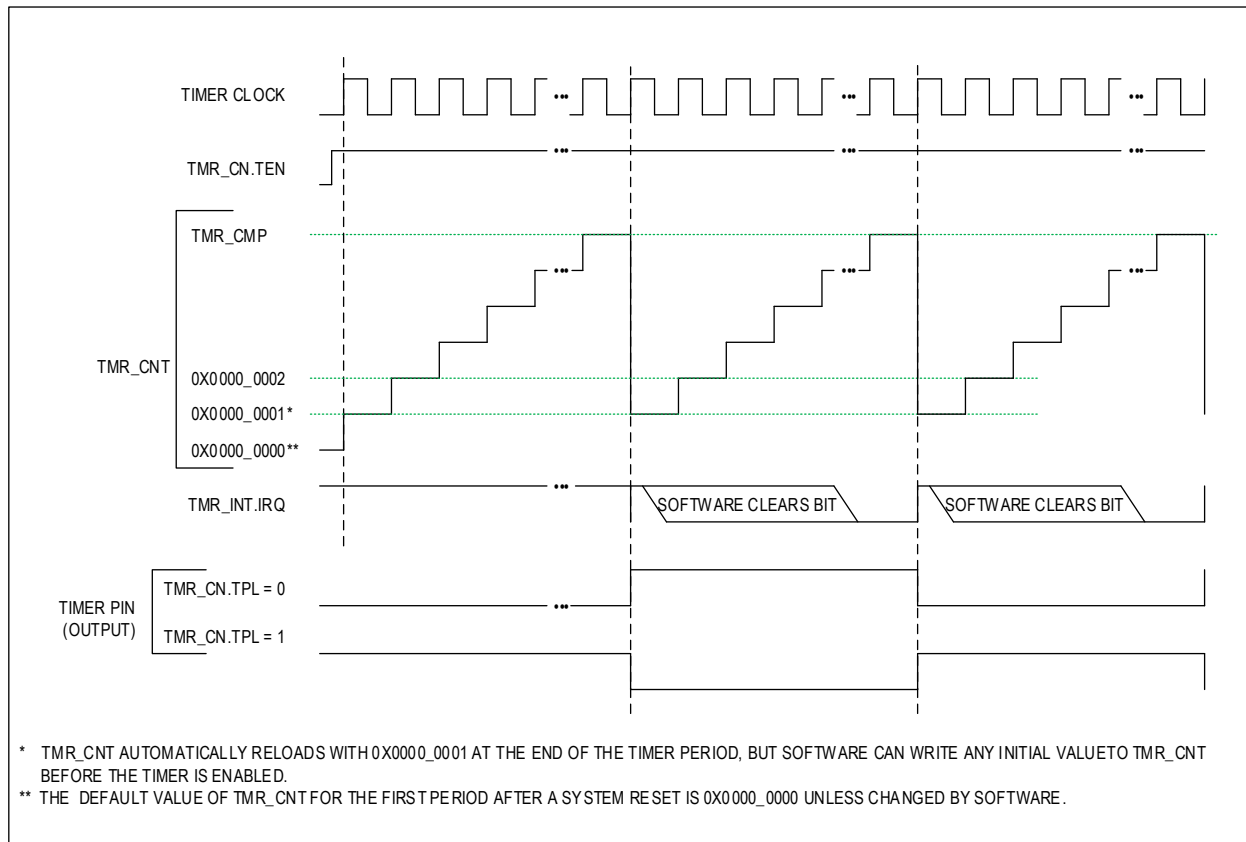
Equation 9-2: One-shot Mode Timer Period

$$\text{One-shot mode timer period in seconds} = \frac{TMR_{CMP} - TMR_{CNT_INITIAL_VALUE} + 1}{f_{CNT_CLK} (Hz)}$$

9.5 Continuous Mode (001b)

In Continuous mode, the timer peripheral increments $TMRn_CNT$ until it matches $TMRn_CMP$, resets $TMRn_CNT$ to 0x0000 0001, and continues incrementing. The timer peripheral can optionally toggle the state of the timer pin at the end of the timer period.

Figure 9-2: Continuous Mode Diagram



9.5.1 Timer Period

The timer period ends on the timer clock following $TMRn_CNT = TMRn_CMP$.

The timer peripheral automatically performs the following actions at the end of the timer period:

1. $TMRn_CNT$ is reset to 0x0000 0001. The timer remains enabled and continues incrementing.
2. If the timer output is enabled, the timer pin toggles state (low to high or high to low).
3. The timer interrupt bit $TMRn_INT.irq$ will be set. An interrupt will be generated if enabled.

9.5.2 Configuration

Configure the timer for Continuous mode by performing the steps following:

6. Set $TMRn_CN.ten = 0$ to disable the timer.
1. Set $TMRn_CN.tmode$ to 001b to select Continuous mode.
2. Set $TMRn_CN.pres3:TMRn_CN.pres$ to set the prescaler that determines the timer frequency.
3. If using the timer pin:
 - a. Configure the pin as a timer output and configure the electrical characteristics as needed.
 - b. Set $TMRn_CN.tpol$ to match the desired (inactive) state.
4. If using the timer interrupt, enable the interrupt and set the interrupt priority.
5. Write an initial value to $TMRn_CNT$, if desired. This effects only the first period; subsequent timer periods always reset $TMRn_CNT = 0x0000\ 0001$.
6. Write the compare value to $TMRn_CMP$.
7. Set $TMRn_CN.ten = 1$ to enable the timer.

The timer period is calculated using the following equation.

Equation 9-3: Continuous Mode Timer Period

$$\text{Continuous mode timer period in seconds} = \frac{TMR_{CMP} - TMR_{CNT_{INITIALVALUE}} + 1}{f_{CNT_{CLK}} \text{ (Hz)}}$$

9.6 Counter Mode (010b)

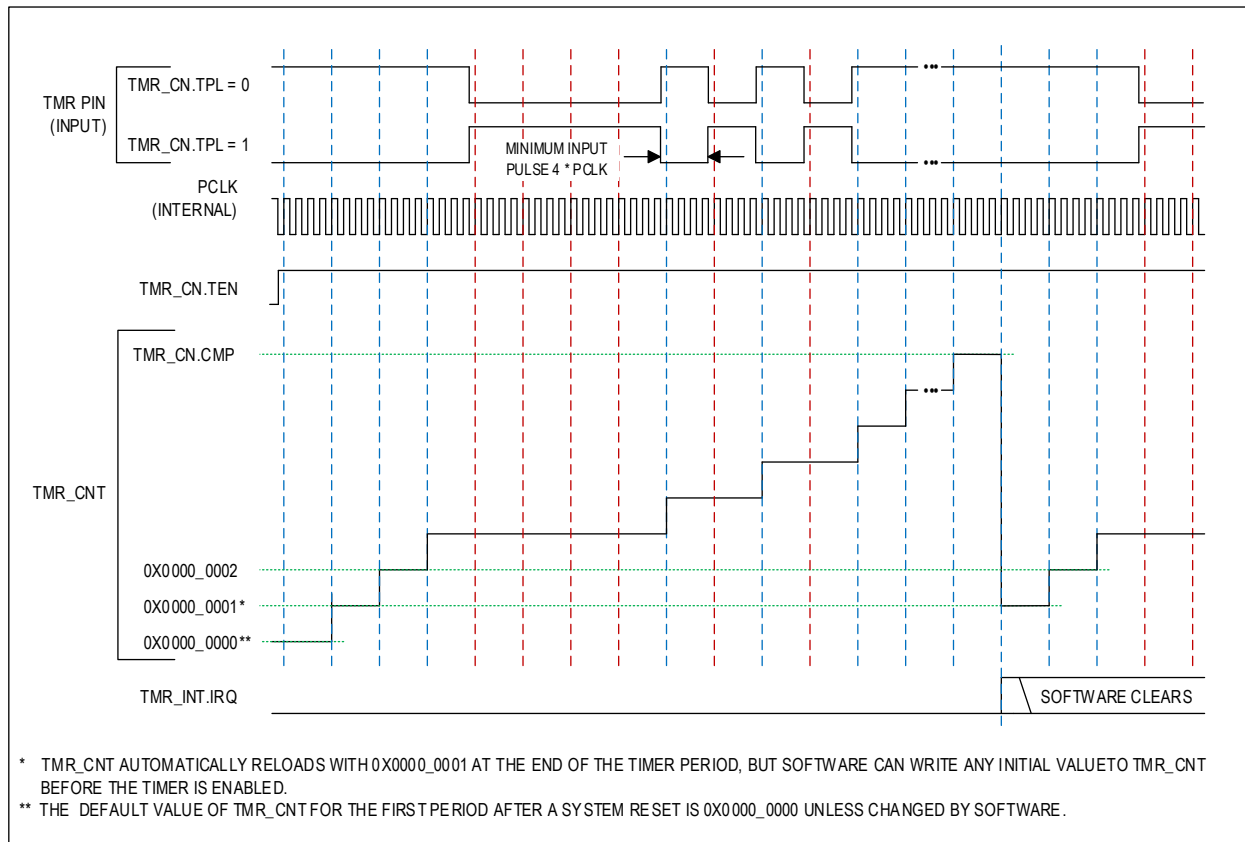
In Counter mode, the timer peripheral increments $TMRn_CNT$ when a transition occurs on the timer pin. When $TMRn_CNT = TMR.CMP$, the interrupt bit is set, $TMRn_CNT$ is set to $0x0000\ 0001$, and continues incrementing. The timer can be configured to increment on either the rising edge or the falling edge, but not both.

The timer prescaler setting has no effect in this mode. The frequency of the timer's input signal (f_{CTR_CLK}) must not exceed 25 percent of the PCLK frequency as shown in the following equation:

Equation 9-4: Counter Mode Maximum Clock Frequency

$$f_{CTR_{CLK}} \leq \frac{PCLK \text{ (Hz)}}{4}$$

Figure 9-3: Counter Mode Diagram



9.6.1 Timer Period

The timer period ends on the rising edge of PCLK following $TMRn_CNT = TMRn_CMP$.

The timer peripheral automatically performs the following actions at the end of the timer period:

1. $TMRn_CNT$ is reset to 0x0000 0001. The timer remains enabled and continues incrementing on selected transitions of the timer pin.
2. The timer interrupt bit $TMRn_INT.irq$ will be set. An interrupt will be generated if enabled.

9.6.2 Configuration

Configure the timer for Counter mode by doing the following:

1. Set $TMRn_CN.ten = 0$ to disable the timer.
2. Set $TMRn_CN.tmode$ to 010b to select Counter mode.
3. Configure the timer pin:
 - a. Configure the pin as a timer input and configure the electrical characteristics as needed.
 - b. Set $TMRn_CN.tpol$ to match the desired initial (inactive) state.
4. If using the timer interrupt, enable the interrupt and set the interrupt priority.
5. Write an initial value to $TMRn_CNT$, if desired. This effects only the first period; subsequent timer periods always reset $TMRn_CNT = 0x0000 0001$.
6. Write the compare value to $TMRn_CMP$.
7. Set $TMRn_CN.ten = 1$ to enable the timer.

In Counter mode, the number of timer input transitions since timer start is calculated using the following equation:

Equation 9-5: Counter Mode Timer Input Transitions

$$\text{Counter mode timer input transitions} = TMR_CNT_{CURRENT_COUNT_VALUE} - TMR_CNT_{START_VALUE}$$

9.7 PWM Mode (011b)

In PWM mode, the timer sends a Pulse-Width Modulated (PWM) output using the timer's output signal. The timer first counts up to the match value stored in the *TMRn_PWM* register. At the end of the cycle where the *TMRn_CNT* value matches the *TMRn_PWM* value, the timer's output toggles state. The timer continues counting until it reaches the *TMRn_CMP* value.

9.7.1 Timer Period

The timer period ends on the rising edge of PCLK following $TMRn_CNT = TMRn_CMP$.

The timer peripheral automatically performs the following actions at the end of the timer period:

1. The *TMRn_CNT* is reset to 0x0000 0001, and the timer resumes counting.
2. The timer output signal is toggled.
3. The timer interrupt bit *TMRn_INT irq* will be set. An interrupt will be generated if enabled.

When *TMRn_CN.tpol* = 0, the timer output signal starts low and then transitions to high when the *TMRn_CNT* value matches the *TMRn_PWM* value. The timer output signal remains high until the *TMRn_CNT* value reaches the *TMRn_CMP* value, resulting in the timer output signal transitioning low, and the *TMRn_CNT* value resetting to 0x0000 0001.

When *TMRn_CN.tpol* = 1, the Timer output signal starts high and transitions low when the *TMRn_CNT* value matches the *TMRn_PWM* value. The timer output signal remains low until the *TMRn_CNT* value reaches the *TMRn_CMP* value, resulting in the timer output signal transitioning high, and the *TMRn_CNT* value resetting to 0x0000 0001.

9.7.2 PWM Mode Configuration

Complete the following steps to configure a timer for PWM mode and initiate the PWM operation:

1. Set *TMRn_CN.ten* = 0 to disable the timer.
2. Set *TMRn_CN.tmode* to 011b to select PWM mode.
3. Set *TMRn_CN.pres3:TMRn_CN.pres* to set the prescaler that determines the timer frequency.
4. Configure the timer pin:
5. Configure the pin as a timer input and configure the electrical characteristics as needed.
6. Set *TMRn_CN.tpol* to match the desired initial (inactive) state.
 - a. Set *TMRn_CN.tpol* to select the initial logic level (high or low) and PWM transition state for the timer's output.
 - b. Set *TMRn_CNT* to the starting count, typically 0x0000 0001. The initial *TMRn_CNT* value only effects the initial period in PWM mode with subsequent periods always setting *TMRn_CNT* to 0x0000 0001.
 - c. Set the *TMRn_PWM* value to the transition period count.
7. Set the *TMRn_CMP* value for the PWM second transition period. Note: *TMRn_CMP* must be greater than the *TMRn_PWM* value.
8. Optionally enable the timer's interrupt in the Interrupt Controller and set the timer's interrupt priority.
9. Set *TMRn_CN.ten* to 1 to enable the timer and start the PWM.

The PWM period is calculated using the following equation:

Equation 9-6: Timer PWM Period

$$PWM \text{ period in seconds} = \frac{TMR_CMP}{f_{CNT_CLK} (Hz)}$$

If an initial starting value other than 0x0000 0001 is loaded into the *TMRn_CNT* register, use the One-Shot mode equation to determine the initial PWM period.

If *TMRn_CN.tpol* is 0, the ratio of the PWM output high time to the total period is calculated using the following equation:

$$PWM \text{ output high time ratio (\%)} = \frac{(TMR_CMP - TMR_PWM)}{TMR_CMP} \times 100$$

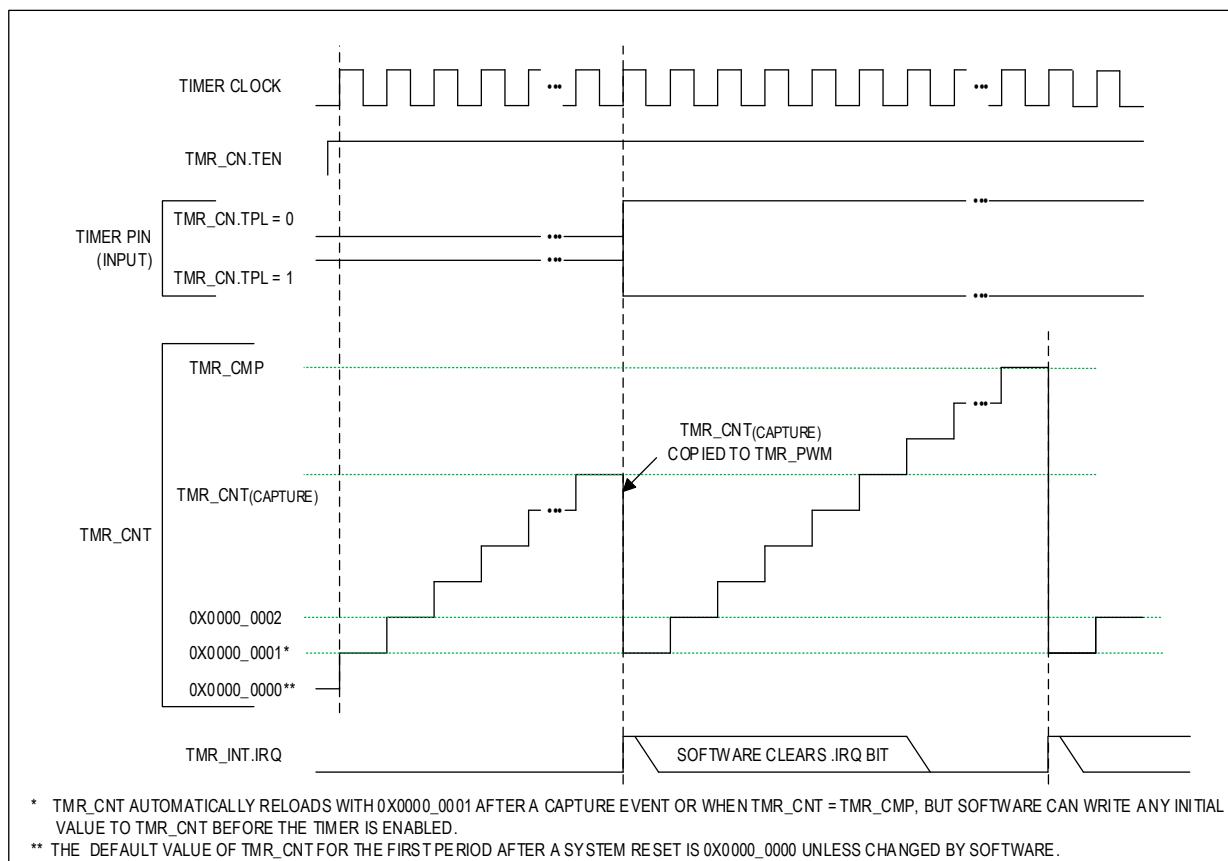
If *TMRn_CN.tpol* is set to 1, the ratio of the PWM output high time to the total period is calculated using the following equation:

$$PWM \text{ output high time ratio (\%)} = \frac{TMR_{PWM}}{TMR_{CMP}} \times 100$$

9.8 Capture Mode (100b)

Capture mode most often used to measure the time between events. The timer increments from an initial value until an edge transition occurs on the timer pin. This triggers the ‘capture’ event which copies *TMRn_CNT* to the *TMRn_PWM.pwm* register, resets *TMRn_CNT* = 0x0000 0001, and continues incrementing. Also, if the timer pin does not go active before *TMRn_CNT* = *TMRn_CMP*, the timer will reset *TMRn_CNT* = 0x0000 0001, and continue incrementing. Either event will set the timer interrupt bit.

Figure 9-4: Capture Mode Diagram



9.8.1 Timer Period

Two timer period events are possible in Capture Mode:

The Capture event occurs on the timer clock following the selected transition on the timer pin. The timer peripheral automatically performs the following actions:

1. The value in *TMRn_CNT* is copied to *TMRn_PWM*
2. The timer interrupt bit *TMRn_INT.irq* will be set. An interrupt will be generated if enabled.
3. The timer remains enabled and continues incrementing.
4. The timer period ends on the timer clock following $TMRn_CNT = TMRn_CMP$.

The timer period event occurs on the timer clock $TMRn_CNT = TMRn_CMP$. The timer peripheral automatically performs the following actions when an end of timer period event occurs:

1. The value in *TMRn_CNT* is reset to 0x0000 00001. The timer remains enabled and continues incrementing.
2. The timer interrupt bit *TMRn_INT.irq* will be set. An interrupt will be generated if enabled.

9.8.2 Configuration

Configure the timer for Capture mode by doing the following:

1. Disable the timer by setting *TMRn_CN.ten* to 0.
2. Select Counter mode by setting *TMRn_CN.tmode* to 010b.
3. Set *TMRn_CN.pres3:TMRn_CN.pres* to set the prescaler that determines the timer frequency.
4. If using the timer pin:
 - a. Configure the pin as a timer output and configure the electrical characteristics as needed.
 - b. Set *TMRn_CN.tpol* to match the desired (inactive) state.
5. If using the timer interrupt, enable the interrupt and set the interrupt priority.
6. Write the initial value to *TMRn_CNT*. This effects only the first period; subsequent periods always begin with 0x0000 0001.
7. Write the compare value to *TMRn_CMP*.
8. Set *TMRn_CN.ten* = 1 to enable the timer.

The timer period is calculated using the following equation:

Equation 9-7: Capture Mode Elapsed Time

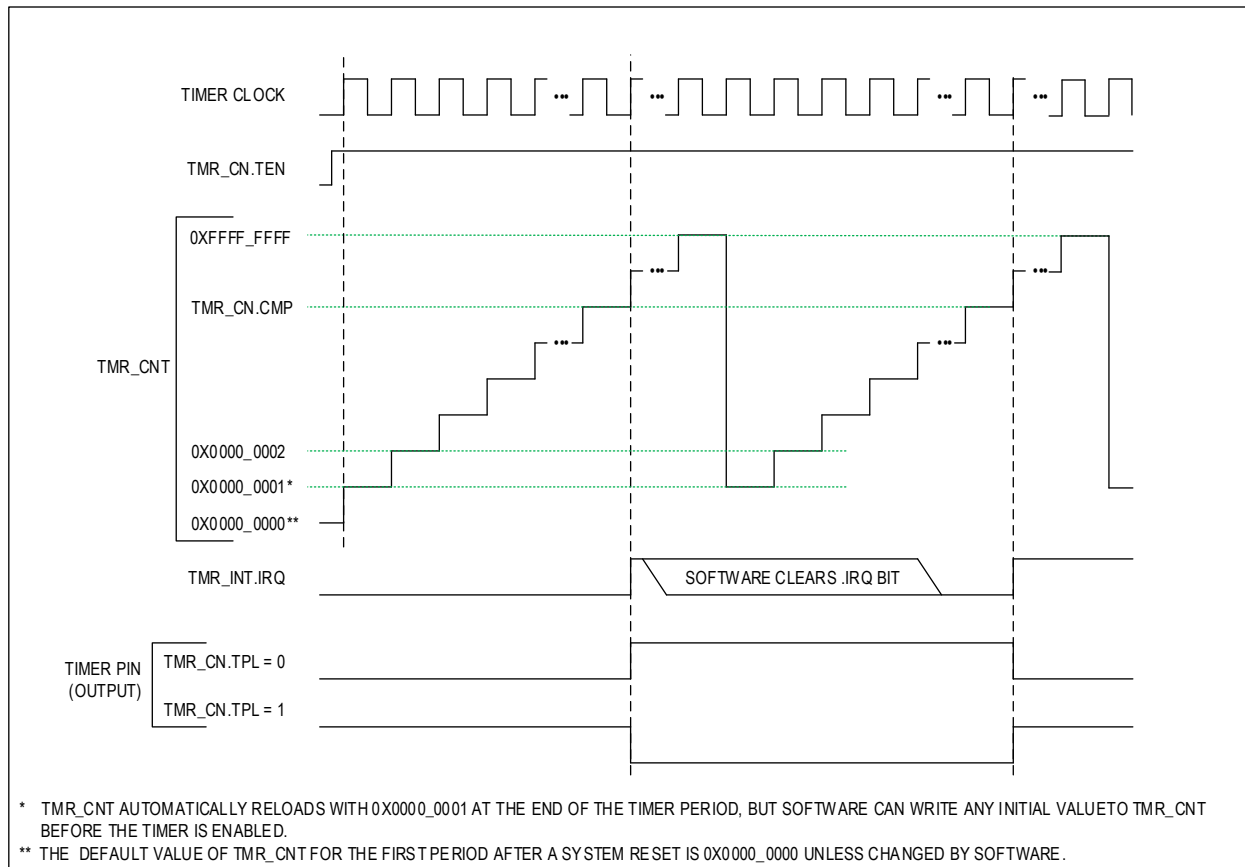
$$\text{Capture elapsed time in seconds} = \frac{TMR_PWM - TMR_CNT_{INITIAL_COUNT_VALUE}}{f_{CNT_CLK}}$$

*Note: The capture elapsed time calculation is only valid after the capture event occurs, and the timer stores the captured count in the *TMRn_PWM* register.*

9.9 Compare Mode (101b)

In Compare mode the timer peripheral increments continually, allowing the timer to be a programmable 32-bit programmable period timer. The end of timer period event occurs when the timer value matches the compare value, but the timer continues to increment until the count reaches 0xFFFF FFFF. The timer counter then rolls over and continues counting from 0x0000 000.

Figure 9-5: Counter Mode Diagram



9.9.1 Timer Period

The timer period ends on the timer clock following $TMRn_CNT = TMRn_CMP$.

The timer peripheral automatically performs the following actions at the end of the timer period:

1. The timer remains enabled and continues incrementing. Unlike other modes, $TMRn_CNT$ is not reset to 0x0000 0001 at the end of the timer period.
2. If the timer output is enabled, then the timer pin toggles state (low to high or high to low).
3. The timer interrupt bit $TMRn_INT.irq$ will be set. An interrupt will be generated if enabled.

9.9.2 Configuration

Configure the timer for Compare mode by doing the following:

1. Set $TMRn_CN.ten = 0$ to disable the timer.
2. Set $TMRn_CN.tmode$ to 011b to select Compare mode.
3. Set $TMRn_CN.pres3:TMRn_CN.pres$ to set the prescaler that determines the timer frequency.
4. If using the timer pin:
 - a. Configure the pin as a timer output and configure the electrical characteristics as needed.
 - b. Set $TMRn_CN.tpol$ to match the desired (inactive) state.
5. If using the timer interrupt, enable the interrupt and set the interrupt priority.
6. Write the initial value to $TMRn_CNT$. This effects only the first period as the counter increments continuously, rolling over to 0x0000 0000 and continuing.
7. Write the compare value to $TMRn_CMP$.
8. Set $TMRn_CN.ten = 1$ to enable the timer.

The timer period is calculated using the following equation:

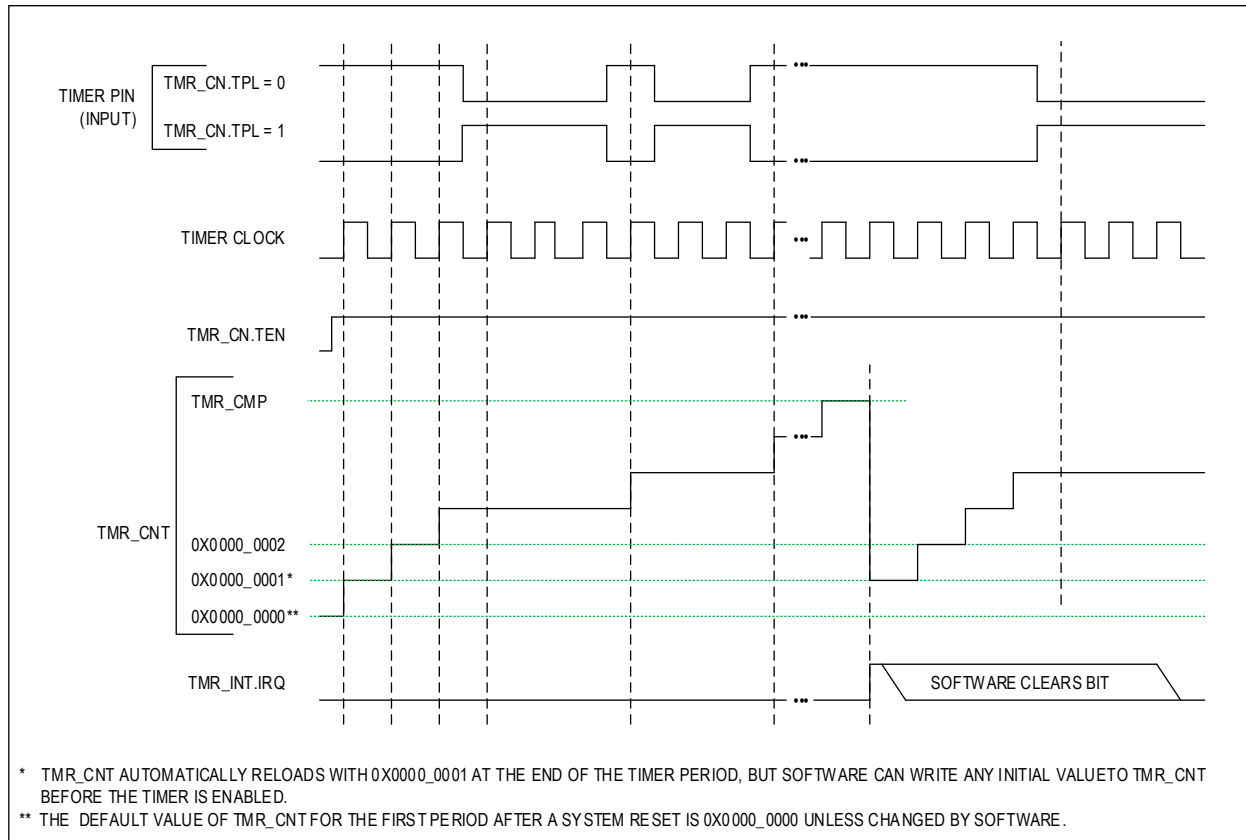
Equation 9-8: Compare Mode Timer Period

$$\text{Compare mode timer period in seconds} = \frac{TMR_CMP - TMR_{INITIAL_COUNT_VALUE} + 1}{f_{CNT_CLK} (Hz)}$$

9.10 Gated Mode (110b)

Gated mode is similar to continuous mode, except that $TMRn_CNT$ only increments when the timer pin is in its active state.

Figure 9-6: Gated Mode Diagram



9.10.1 Timer Period

The timer period ends when $TMRn_CNT = TMRn_CMP$.

The timer peripheral automatically performs the following actions at the end of the timer period:

1. $TMRn_CNT$ is reset to 0x0000 0001. The timer remains enabled and continues incrementing.
2. The timer interrupt bit $TMRn_INT.irq$ will be set. An interrupt will be generated if enabled.

9.10.2 Configuration

Configure the timer for Gated mode by doing the following:

1. Set $TMRn_CN.ten = 0$ to disable the timer.
2. Set $TMRn_CN.tmode$ to 110b to select Gated mode.
3. Set $TMRn_CN.pres3:TMRn_CN.pres$ to set the prescaler that determines the timer frequency.
4. Configure the timer pin:
 - a. Configure the pin as a timer input and configure the electrical characteristics as needed.
 - b. Set $TMRn_CN.tpol$ to match the desired initial (inactive) state.
5. If using the timer interrupt, enable the interrupt and set the interrupt priority.
6. Write an initial value to $TMRn_CNT$, if desired. This effects only the first period; subsequent timer periods always reset $TMRn_CNT = 0x0000 0001$.
7. Write the compare value to $TMRn_CMP$.
8. Set $TMRn_CN.ten = 1$ to enable the timer.

9.11 Capture/Compare Mode (111b)

In Capture/Compare mode, the timer starts counting after the first external timer input transition occurs. The transition, a rising edge or falling edge on the timer's input signal, is set using the $TMRn_CN.tpol$ bit.

Each subsequent transition, after the first transition of the timer input signal, captures the $TMRn_CNT$ value, writing it to the $TMRn_PWM$ register (capture event). When a capture event occurs, a timer interrupt is generated, the $TMRn_CNT$ value is reset to 0x0000 0001, and the timer resumes counting.

If no capture event occurs, the timer counts up to the $TMRn_CMP$ value. At the end of the cycle where the $TMRn_CNT$ equals the $TMRn_CMP$ value, a timer interrupt is generated, the $TMRn_CNT$ value is reset to 0x0000 0001, and the timer resumes counting.

9.11.1 Timer Period

The timer period ends when the selected transition occurs on the timer pin, or on the clock cycle following $TMRn_CNT = TMRn_CMP$.

The timer peripheral automatically performs the following actions at the end of the timer period:

If the end of the timer period was caused by a transition on the timer pin:

1. The value in $TMRn_CNT$ is copied to $TMRn_PWM$.
2. $TMRn_CNT$ is reset to 0x0000 0001. The timer remains enabled and continues incrementing.
3. The timer interrupt bit, $TMRn_INT.irq$, is set. A Timer IRQ is generated, if enabled.

4. If the end of the timer period was caused by a transition on the timer pin:
5. *TMRn_CNT* is reset to 0x0000 0001. The timer remains enabled and continues incrementing.
6. The timer interrupt bit *TMRn_INT irq* will be set. An interrupt is generated, if enabled.

9.11.2 Configuration

Configure the timer for Capture/Compare mode by doing the following:

1. Set *TMRn_CN.ten* = 0 to disable the timer.
2. Set *TMRn_CN.tmode* to 111b to select Capture/Compare mode.
3. Set *TMRn_CN.pres3:TMRn_CN.pres* to set the prescaler that determines the timer frequency.
4. Configure the timer pin:
 - a. Configure the pin as a timer input and configure the electrical characteristics as needed.
 - b. Set *TMRn_CN.tpol* to select the positive edge (*TMRn_CN.tpol* = 0) or negative edge (*TMRn_CN.tpol* = 1) transition causes the capture event.
5. If using the timer interrupt, enable the interrupt and set the interrupt priority.
6. Write an initial value to *TMRn_CNT*, if desired. This effects only the first period; subsequent timer periods always reset *TMRn_CNT*= 0x0000 0001.
7. Set *TMRn_CN.ten* to 1 to enable the timer. Counting starts after the first transition of the timer's input signal. No interrupt is generated by the first transition of the input signal.

In Capture/Compare mode, the elapsed time from the timer start to the capture event is calculated using the following equation:

Equation 9-9: Capture Mode Elapsed Time

$$\text{Capture elapsed time in seconds} = \frac{TMR_PWM - TMR_CNT_{INITIAL_CNT_VALUE}}{f_{CNT_CLK} \text{ (Hz)}}$$

9.12 Timer Registers

Address assignments for each timer's register is shown in Table 1. Register fields marked as reserved for future use should only be written to 0.

Each timer is controlled by a block of registers assigned to that specific timer. All timers contain an identical set of registers.

Register names for a specific instance are defined by appending the instance number to the peripheral name. For example, the Timer Count Register for Timer 0 is *TMRO_CNT* while the Timer Count Register for Timer 1 is *TMR1_CNT*, and so on. The microcontroller includes three timer instances, *TMRO* through *TMR2*.

Refer to [Table 2-1: APB Peripheral Base Address Map](#) for the Timer 0 (*TMRO*) to Timer 2 (*TMR2*) Base Peripheral Address.

9.13 Timer Register Details

Table 9-1: Timer Register Offsets, Names, Access and Descriptions

Offset	Register Name	Access	Description
[0x0000]	<i>TMRn_CNT</i>	R/W	Timer Counter Register
[0x0004]	<i>TMRn_CMP</i>	R/W	Timer Compare Register
[0x0008]	<i>TMRn_PWM</i>	R/W	Timer PWM Register
[0x000C]	<i>TMRn_INT</i>	R/W	Timer Interrupt Register
[0x0010]	<i>TMRn_CN</i>	R/W	Timer Control Register
[0x0014]	<i>TMRn_NOLCMP</i>	R/W	Timer Non-Overlapping Compare Register

Table 9-2: Timer Count Registers

Timer Count Register				TMRn_CNT	[0x0000]
Bits	Name	Access	Reset	Description	
31:0	count	R/W	0	Count The current count value for the timer. This field increments as the timer counts. Reads to this register are always valid. In general, disable the timer by clearing bit <i>TMRn_CN.ten</i> , prior to writing the <i>TMRn_CNT</i> field.	

Table 9-3: Timer Compare Registers

Timer Compare Register				TMRn_CMP	[0x0004]
Bits	Name	Access	Reset	Description	
31:0	compare	R/W	0	Timer Compare Value The value in this register is used as the compare value for the timer's count value. The compare field meaning is determined by the specific mode of the timer. Refer to the mode's detailed configuration section for compare usage and meaning.	

Timer PWM Register				TMRn_PWM	[0x0008]
Bits	Name	Access	Reset	Description	
31:0	pwm	R/W	0	Timer PWM Match In PWM mode, this field sets the count value for the first transition period of the PWM cycle. At the end of the cycle where <i>TMRn_CNT</i> equals <i>TMRn_CMP</i> , the PWM output transitions to the second period of the PWM cycle. The second PWM period count is stored in the <i>TMRn_CMP</i> register. The value set for <i>TMRn_PWM.pwm</i> must be less than the value set in <i>TMRn_CMP</i> for PWM mode operation. Timer Capture Value In Capture, Compare, and Capture/Compare modes, this field is used to store the <i>TMRn_CNT</i> value when a Capture, Compare, or Capture/Compare event occurs.	

Table 9-4: Timer Interrupt Registers

Timer Interrupt Register				TMRn_INT	[0x000C]
Bits	Name	Access	Reset	Description	
31:1	-	R	0	Reserved for Future Use Do not modify this field.	
0	irq	RW	0	Timer Interrupt Writing any value to this bit clears the timer's interrupt.	

Table 9-5: Timer Control Registers

Timer Control Register				TMRn_CN	[0x0010]
Bits	Name	Access	Reset	Description	
	-	R	0	Reserved for Future Use Do not modify this field.	
12	pwmckbd	R/W	1	PWM Output $\phi_{A'}$ Disable 1: Disable PWM Output $\phi_{A'}$ 0: Enable PWM Output $\phi_{A'}$	
11	nolhpol	R/W	0	PWM Output $\phi_{A'}$ Polarity Bit 1: Output $\phi_{A'}$ inverted 0: Output $\phi_{A'}$ non-inverted	
10	nolhpol	R/W	0	PWM Output ϕ_A Polarity Bit 1: Output ϕ_A inverted 0: Output ϕ_A non-inverted	

Timer Control Register			TMRn_CN		[0x0010]																																																																
Bits	Name	Access	Reset	Description																																																																	
9	pwmsync	R/W	0	PWM Synchronization Mode 1: PWM synchronization mode enabled 0: PWM synchronization mode disabled																																																																	
8	pres3	R/W	0	Timer Prescale Select MSB See <i>TMRn_CN.pres</i> for details about this bit.																																																																	
7	ten	R/W	0	Timer Enable 1: Timer enabled 0: Timer disabled																																																																	
6	tpol	R/W	0	Timer Polarity Selects the polarity of the timer's input and output signal. This setting is not used if the GPIO Port Pin for the timer's input, output, or both is not configured for the timer alternate function in GPIO. The tpol field meaning is determined by the specific mode of the timer. Refer to the mode's detailed configuration section for tpol usage and meaning.																																																																	
5:3	pres	R/W	0	Timer Prescaler Select Sets the timer's prescaler value. The prescaler divides the PCLK input to the timer and sets the timer's count clock, $f_{CNT_CLK} = PCLK (Hz) / prescaler$. The timer's prescaler setting is a 4-bit value with pres3 as the most significant bit and pres as the three least significant bits. The table below shows the prescaler values based on <i>pres3:pres</i> . <table border="1" data-bbox="634 873 1297 1673"> <thead> <tr> <th>pres3</th> <th>pres</th> <th>Prescaler</th> <th>f_{CNT_CLK}</th> </tr> </thead> <tbody> <tr><td>0</td><td>0b000</td><td>1</td><td>$PCLK (Hz) / 1$</td></tr> <tr><td>0</td><td>0b001</td><td>2</td><td>$PCLK (Hz) / 2$</td></tr> <tr><td>0</td><td>0b010</td><td>4</td><td>$PCLK (Hz) / 4$</td></tr> <tr><td>0</td><td>0b011</td><td>8</td><td>$PCLK (Hz) / 8$</td></tr> <tr><td>0</td><td>0b100</td><td>16</td><td>$PCLK (Hz) / 16$</td></tr> <tr><td>0</td><td>0b101</td><td>32</td><td>$PCLK (Hz) / 32$</td></tr> <tr><td>0</td><td>0b110</td><td>64</td><td>$PCLK (Hz) / 64$</td></tr> <tr><td>0</td><td>0b111</td><td>128</td><td>$PCLK (Hz) / 128$</td></tr> <tr><td>1</td><td>0b000</td><td>256</td><td>$PCLK (Hz) / 256$</td></tr> <tr><td>1</td><td>0b010</td><td>512</td><td>$PCLK (Hz) / 512$</td></tr> <tr><td>1</td><td>0b011</td><td>1024</td><td>$PCLK (Hz) / 1024$</td></tr> <tr><td>1</td><td>0b100</td><td>2048</td><td>$PCLK (Hz) / 2048$</td></tr> <tr><td>1</td><td>0b101</td><td>4096</td><td>$PCLK (Hz) / 4096$</td></tr> <tr><td>1</td><td>0b110</td><td>Reserved</td><td>Reserved</td></tr> <tr><td>1</td><td>0b111</td><td>Reserved</td><td>Reserved</td></tr> </tbody> </table>		pres3	pres	Prescaler	f_{CNT_CLK}	0	0b000	1	$PCLK (Hz) / 1$	0	0b001	2	$PCLK (Hz) / 2$	0	0b010	4	$PCLK (Hz) / 4$	0	0b011	8	$PCLK (Hz) / 8$	0	0b100	16	$PCLK (Hz) / 16$	0	0b101	32	$PCLK (Hz) / 32$	0	0b110	64	$PCLK (Hz) / 64$	0	0b111	128	$PCLK (Hz) / 128$	1	0b000	256	$PCLK (Hz) / 256$	1	0b010	512	$PCLK (Hz) / 512$	1	0b011	1024	$PCLK (Hz) / 1024$	1	0b100	2048	$PCLK (Hz) / 2048$	1	0b101	4096	$PCLK (Hz) / 4096$	1	0b110	Reserved	Reserved	1	0b111	Reserved	Reserved
pres3	pres	Prescaler	f_{CNT_CLK}																																																																		
0	0b000	1	$PCLK (Hz) / 1$																																																																		
0	0b001	2	$PCLK (Hz) / 2$																																																																		
0	0b010	4	$PCLK (Hz) / 4$																																																																		
0	0b011	8	$PCLK (Hz) / 8$																																																																		
0	0b100	16	$PCLK (Hz) / 16$																																																																		
0	0b101	32	$PCLK (Hz) / 32$																																																																		
0	0b110	64	$PCLK (Hz) / 64$																																																																		
0	0b111	128	$PCLK (Hz) / 128$																																																																		
1	0b000	256	$PCLK (Hz) / 256$																																																																		
1	0b010	512	$PCLK (Hz) / 512$																																																																		
1	0b011	1024	$PCLK (Hz) / 1024$																																																																		
1	0b100	2048	$PCLK (Hz) / 2048$																																																																		
1	0b101	4096	$PCLK (Hz) / 4096$																																																																		
1	0b110	Reserved	Reserved																																																																		
1	0b111	Reserved	Reserved																																																																		

Timer Control Register			TMRn_CN		[0x0010]																		
Bits	Name	Access	Reset	Description																			
2:0	tmode	R/W	0	Timer Mode Select Sets the timer's operating mode. <table border="1" data-bbox="634 331 1052 674"> <thead> <tr> <th>tmode</th> <th>Selected Timer Mode</th> </tr> </thead> <tbody> <tr> <td>000b</td> <td>One-Shot</td> </tr> <tr> <td>001b</td> <td>Continuous</td> </tr> <tr> <td>010b</td> <td>Counter</td> </tr> <tr> <td>011b</td> <td>PWM</td> </tr> <tr> <td>100b</td> <td>Capture</td> </tr> <tr> <td>101b</td> <td>Compare</td> </tr> <tr> <td>110b</td> <td>Gated</td> </tr> <tr> <td>111b</td> <td>Capture/Compare</td> </tr> </tbody> </table>		tmode	Selected Timer Mode	000b	One-Shot	001b	Continuous	010b	Counter	011b	PWM	100b	Capture	101b	Compare	110b	Gated	111b	Capture/Compare
tmode	Selected Timer Mode																						
000b	One-Shot																						
001b	Continuous																						
010b	Counter																						
011b	PWM																						
100b	Capture																						
101b	Compare																						
110b	Gated																						
111b	Capture/Compare																						

Table 9-6: Timer Non-Overlapping Compare Registers

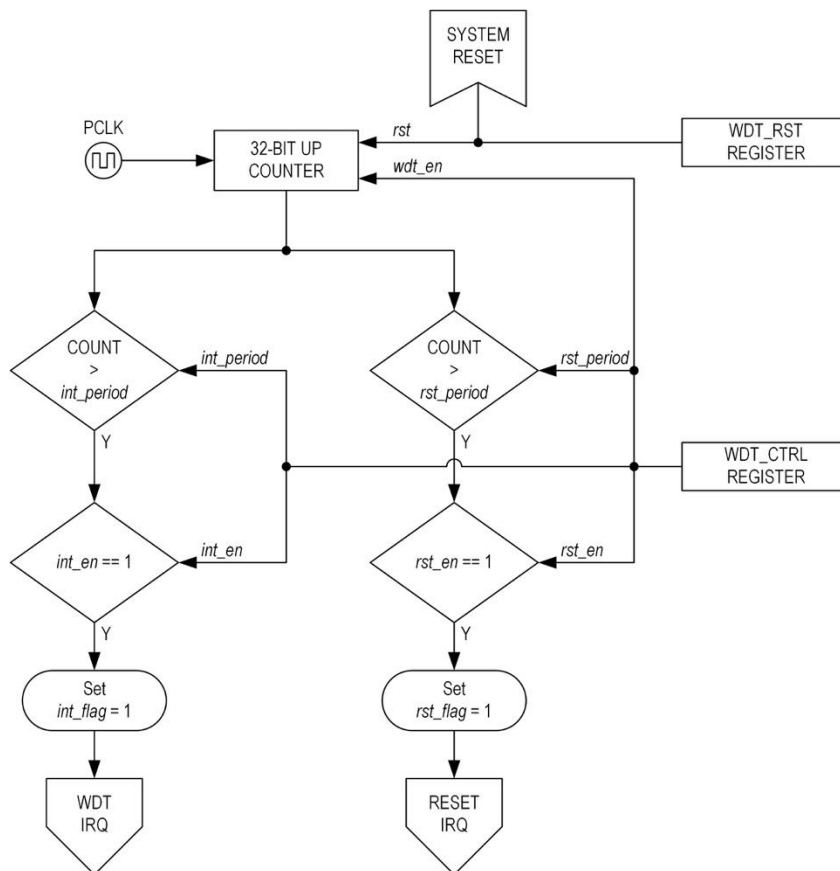
Timer Non-Overlapping Compare Register				TMRn_NOLCMP	[0x0014]
Bits	Name	Access	Reset	Description	
31:16	-	R	0	Reserved for Future Use Do not modify this field.	
15:8	nolhcmp	R/W	0	Non-Overlapping High Compare The 8-bit timer count value of non-overlapping time between the falling edge of PWM output $\phi_{A'}$ and the next rising edge of PWM output ϕ_A .	
7:0	nollcmp	R/W	0	Non-Overlapping Low Compare The 8-bit timer count value of non-overlapping time between the falling edge of PWM output ϕ_A and next rising edge of PWM output $\phi_{A'}$.	

10 Watchdog Timer (WDT)

The watchdog timer protects against corrupt or unreliable software, power faults, and other system-level problems, which may place the microcontroller into an improper operating state. When the application is executing properly, application software periodically resets the watchdog counter. If the watchdog timer interrupt is enabled and the software does not reset the counter within the interrupt time period (*WDT0_CTRL.int_period*), the watchdog timer generates a watchdog timer interrupt. If the watchdog timer reset is enabled and the software does not reset the counter within the reset time period (*WDT0_CTRL.rst_period*), the watchdog timer generates a system reset.

Figure 10-1 shows the block diagram of the watchdog timers.

Figure 10-1: Watchdog Timer Block Diagram



10.1 Features

- Sixteen programmable time periods for the watchdog interrupt
 - ♦ 2^{16} through 2^{31} PCLK cycles
- Sixteen programmable time periods for the watchdog reset
 - ♦ 2^{16} through 2^{31} PCLK cycles
- The watchdog timer counter is reset on all forms of reset

10.2 Usage

Utilizing the watchdog timer in the application software is straightforward. As early as possible in the application software, enable the watchdog timer interrupt and watchdog timer reset. Periodically the application software must write to the `WDT0_RST` register to reset the watchdog counter. If program execution becomes lost, the watchdog timer interrupt will occur, giving the system a “last chance” to recover from whatever circumstance caused the improper code execution. The interrupt routine may either attempt to repair the situation or allow the watchdog timer reset to occur. In the event of a system software failure, the interrupt will not be executed, and the watchdog system reset will recover operation.

As soon as possible after a reset, the application software should interrogate the `WDT0_CTRL.rst_flag` to determine if the reset event resulted from a watchdog timer reset. If so, application software should assume that there was a program execution error and take whatever steps necessary to guard against a software corruption issue.

10.3 Interrupt and Reset Period Timeout Configuration

Each watchdog timer supports two independent timeout periods, the interrupt period timeout and reset period timeout.

Interrupt Period Timeout (`WDT_CTRL0.int_period`) - Sets the number of PCLK cycles until a watchdog timer interrupt is generated. This period must be less than the Reset Period Timeout for the watchdog timer interrupt to occur.

Reset Period Timeout (`WDT_CTRL0.rst_period`) – Sets the number of PCLK cycles until a system reset event occurs.

The interrupt and reset period timeouts are calculated using [Equation 10-1](#) and [Equation 10-2](#) respectively, where $f_{PCLK} = f_{SYSCLK}/2$. [Table 10-1](#) shows example interrupt period timeout calculations for several `WDT0_CTRL.int_period` settings for the with the System Clock set as the **96MHz** Relaxation Oscillator.

Equation 10-1: Watchdog Timer Interrupt Period

$$T_{INT_PERIOD} = \left(\frac{1}{f_{PCLK}} \right) \times 2^{(31-WDT0_CTRL.int_period)}$$

Equation 10-2: Watchdog Timer Reset Period

$$T_{RST_PERIOD} = \left(\frac{1}{f_{PCLK}} \right) \times 2^{(31-WDT0_CTRL.rst_period)}$$

Table 10-1: Watchdog Timer Interrupt Period with $f_{SYSCLK} = 96\text{MHz}$ and $f_{PCLK} = 48\text{MHz}$

WDT0_CTRL int_period	T _{INT_PERIOD} (seconds)
15	0.001
14	0.002
13	0.004
12	0.009
11	0.018
10	0.035
9	0.070
8	0.140
7	0.280
6	0.560

WDTO_CTRL int_period	T _{INT_PERIOD} (seconds)
5	1.12
4	2.24
3	4.47
2	8.95
1	17.9
0	Disabled

10.4 Enabling the Watchdog Timer

The watchdog timers are free running and require a protected sequence of writes to enable the watchdog timers to prevent an unintended reset during the enable process.

10.4.1 Enable sequence

1. Write `WDTO_RST.wdt_rst`: 0x000000A5
2. Write `WDTO_RST.wdt_rst`: 0x0000005A
3. Set `WDTO_CTRL.wdt_en` to 1

10.5 Disabling the Watchdog Timer

The watchdog timers can be disabled by the application code manually or by the microcontroller automatically as shown below.

10.5.1 Manual Disable

Setting `WDTO_CTRL.wdt_en` to 0 disables the watchdog timer.

10.5.2 Automatic Disable

A power-on-reset (POR) event automatically disables the watchdog timers by setting `WDTO_CTRL.wdt_en` to 0.

Note: The watchdog timer remains enabled during all other types of reset.

10.6 Resetting the Watchdog Timer

To prevent a watchdog interrupt or a watchdog reset or both, application software must write the reset sequence, shown below, to the `WDTO_RST` register prior to an interrupt or reset timeout occurring.

10.6.1 Reset Sequence

1. Write `WDTO_RST`: 0x0000 00A5
2. Write `WDTO_RST`: 0x0000 005A

10.7 Detection of a Watchdog Reset Event

During system start-up, system software should check the `WDTO_CTRL.rst_flag` to determine if the reset was the result of a watchdog reset. Application software is responsible for taking appropriate actions if a watchdog reset occurred.

10.8 Watchdog Timer Registers

Table 10-2: Watchdog Timer Registers

Register Name	Address	Access	Description
<i>WDTO_CTRL</i>	[0x0000]	R/W	Watchdog Timer 0 Control Register
<i>WDTO_RST</i>	[0x0004]	R/W	Watchdog Timer 0 Reset Register

Table 10-3: Watchdog Timer Control Register

Watchdog Timer 0 Control Register			WDTO_CTRL		0x0000 [0x00]
Register Field	Bits	Access	Reset	Description	
rst_flag	31	R/W	See description	Reset Flag If set a watchdog system reset occurred. 0: Watchdog did not cause reset event. 1: Watchdog reset occurred.	
-	30:12	RO	0	Reserved for Future Use Do not modify this field.	
rst_en	11	R/W	0	Reset Enable Enable/Disable system reset if the <i>WDTO_CTRL.rst_period</i> expires. Only reset by power on reset. 0: Disabled 1: Enabled	
int_en	10	R/W	0	Interrupt Enable Enable or Disable the watchdog interrupt. 0: Disabled 1: Enabled	
int_flag	9	R/W1C	0	Interrupt Flag If set, the watchdog interrupt period has occurred. 0: IRQ not pending 1: Interrupt period expired. Generates a WDT IRQ if <i>WDTO_CTRL.int_en</i> = 1.	
wdt_en	8	R/W	See Description	Enable Enable or disable the watchdog timer. Only reset by a power on reset. To enable the watchdog timer, the following sequence of writes must be performed. 1) Write <i>WDTO_RST</i> : 0x0000 00A5 2) Write <i>WDTO_RST</i> : 0x0000 005A 3) Write <i>WDTO_RST.wdt_en</i> : 0x1 0: Disabled 1: Watchdog Timer Enabled. To set this field to 1, perform the sequence shown above. <i>Note: This field is reset by a Power-On Reset event only. Other forms of reset do not reset this field.</i>	

Watchdog Timer 0 Control Register			WDTO_CTRL		0x0000 [0x00]
Register Field	Bits	Access	Reset	Description	
rst_period	7:4	R/W	0	Reset Period Sets the number of PCLK cycles until a system reset occurs if the watchdog timer is not reset. 0xF: $2^{16} \times t_{PCLK}$ 0xE: $2^{17} \times t_{PCLK}$ 0xD: $2^{18} \times t_{PCLK}$ 0xC: $2^{19} \times t_{PCLK}$ 0xB: $2^{20} \times t_{PCLK}$ 0xA: $2^{21} \times t_{PCLK}$ 0x9: $2^{22} \times t_{PCLK}$ 0x8: $2^{23} \times t_{PCLK}$ 0x7: $2^{24} \times t_{PCLK}$ 0x6: $2^{25} \times t_{PCLK}$ 0x5: $2^{26} \times t_{PCLK}$ 0x4: $2^{27} \times t_{PCLK}$ 0x3: $2^{28} \times t_{PCLK}$ 0x2: $2^{29} \times t_{PCLK}$ 0x1: $2^{30} \times t_{PCLK}$ 0x0: $2^{31} \times t_{PCLK}$	
int_period	3:0	R/W	0	Interrupt Period Sets the number of PCLK cycles until a watchdog timer interrupt is generated. 0xF: $2^{16} \times t_{PCLK}$ 0xE: $2^{17} \times t_{PCLK}$ 0xD: $2^{18} \times t_{PCLK}$ 0xC: $2^{19} \times t_{PCLK}$ 0xB: $2^{20} \times t_{PCLK}$ 0xA: $2^{21} \times t_{PCLK}$ 0x9: $2^{22} \times t_{PCLK}$ 0x8: $2^{23} \times t_{PCLK}$ 0x7: $2^{24} \times t_{PCLK}$ 0x6: $2^{25} \times t_{PCLK}$ 0x5: $2^{26} \times t_{PCLK}$ 0x4: $2^{27} \times t_{PCLK}$ 0x3: $2^{28} \times t_{PCLK}$ 0x2: $2^{29} \times t_{PCLK}$ 0x1: $2^{30} \times t_{PCLK}$ 0x0: $2^{31} \times t_{PCLK}$	

Table 10-4: Watchdog Timer Reset Register

Watchdog Timer 0 Reset Register			WDTO_RST		0x0004 [0x04]
Register Field	Bits	Access	Reset	Description	
-	31:8	RO	0	Reserved for Future Use Do not modify this field.	
wdt_rst	7:0	R/W	0	Reset Register Writing the watchdog counter reset sequence to this register resets the watchdog counter. The following is the required reset sequence to reset the watchdog and prevent a watchdog timer interrupt or watchdog system reset. <ul style="list-style-type: none"> Write WDTO_RST: 0x0000 00A5 Write WDTO_RST: 0x0000 005A 	

11 I²C Master/Slave Serial Controller

The microcontroller integrates two I²C peripherals, designated I2C0 and I2C1. The registers for each of the instances are identical with the same offset addresses for each register. For simplicity, I2Cn is used throughout this section to refer to both I²C ports. They each support both Master and Slave modes. The I2C peripherals support standard-mode and fast-mode I2C standards.

The I2C bus is a standardized two-wire, bidirectional serial bus. It uses only two bus lines, a Serial Data Access (SDA) line for data, and a Serial Clock line (SCL) for the clock. SDA and SCL idle high with external pullup resistors. They are pulled low by open-drain drivers in the peripherals. Internal pullup circuits in the GPIO pins are capable of holding the SDA line and SCL line at a logic high state when all devices are idle, but external pullup resistors are highly recommended for all but the simplest, lowest-capacitance systems.

An I²C master owns the I²C bus for the duration of a transfer, driving the clock (SCL) and generating START and STOP signals. In slave mode, the I²C Controller relies on an external master to generate the clock on SCL. An I²C slave responds to data and commands only when an I²C master device addresses it.

For detailed information on I²C bus operation refer to Maxim Application Note 4024: SPI/I²C Bus Lines Control Multiple Peripherals.

11.1 I²C Master/Slave Features

Each I²C Master/Slave is compliant with the I²C Bus Specification and include the following features

- I²C bus specification version 2.1 compliant (100kHz and 400kHz)
- Programmable for both Standard Mode (100 kHz) and Fast Mode (400kHz) data rates
- Multi-master capable, including support for arbitration and clock synchronization
- Supports 7- and 10-bit addressing
- Supports RESTART condition
- Supports clock stretching
- Support for 7- and 10-bit device addressing
- Transfer status interrupts and flags
- DMA data transfer support
- I²C timing parameters fully controllable via firmware
- Glitch filter and Schmitt trigger hysteresis on SDA and SCL
- Control, status, and interrupt events are available for maximum flexibility
- Independent 8-byte RX FIFO and 8-byte TX FIFO
- TX FIFO preloading
- Programmable interrupt threshold levels for the TX and RX FIFO

11.2 I²C Bus Speeds

The I2C peripherals support two I2C clock frequencies: 100kHz Standard mode and 400kHz Fast Mode. All modes are downward compatible and operate at a lower bus speed as necessary.

11.3 I²C Transfer Protocol Operation

The I²C protocol operates over a two-wire bus: a clock circuit (SCL) and a data circuit (SDA). I2C is a half-duplex protocol: only one device is permitted to transmit on the bus at a time. The data rate is not fixed and can dynamically operate up to 100kHz in Standard Mode and up to 400kHz in Fast Mode.

Each transfer is initiated when the bus master sends a START or repeated START condition followed by the address of the slave peripheral. Information is sent most significant bit (MSB) first. Following the slave address, the master exchanges data with the addressed slave. The master can transmit data to the slave (a 'write' operation) or receive data from the slave (a 'read' operation). An acknowledge bit is sent by the receiving device after each byte is transferred. When all necessary data bytes have been transferred, a STOP or RESTART condition is sent by the bus master to indicate the end of the transaction. After the STOP condition has been sent, the bus is idle and ready for the next transaction. After a RESTART condition is sent, the same master begins a new transmission. The number of bytes that can be transmitted per transfer is unrestricted.

11.4 START and STOP Conditions

A START condition occurs when a bus master pulls SDA from high to low while SCL is high, and a STOP condition occurs when a bus master allows SDA to be pulled from low to high while SCL is high. Because these are unique conditions that cannot occur during normal data transfer, they are used to denote the beginning and end of the data transfer.

11.5 I²C Master/Slave Overview

I²C transmit and receive data transfer operations are initiated by first loading the data to be sent in the I²C FIFO by writing data to the *I2Cn_FIFO* register. Once the transaction has completed, the data received can be read from the FIFO by reading data from the *I2Cn_FIFO* register. If a slave sends a NACK in response to a write operation, the I²C master generates an interrupt to the core. The I²C controller can be configured to issue a STOP condition to free the bus.

The receive FIFO contains the received data. If the receive FIFO is full or the transmit FIFO is empty, the I²C master stretches the clock to allow time to read bytes from the receive FIFO or load bytes into the transmit FIFO.

11.6 Slave Addressing

The first byte transmitted after a START condition is the slave address byte. If seven-bit addressing is used, the address byte consists of seven address bits and one R/W bit.

The I²C implementation used in this device supports both 7-bit and 10-bit addressing. However, some addresses are reserved for special purposes: for example, 0b0000 0000 is a general call address to every slave on the bus, and 0b0000 0001 is a START byte for slower microcontrollers. If the master sends address 0b1111 1xx1, then it is requesting the device ID of a slave. If the address byte starts with 0b1111 0xxx, then the master is initiating 10-bit addressing mode where xxx are the most significant bits of the 10-bit address.

All addresses that start with 0b0000 xxxx or 0b1111 1xxx are reserved by the I²C specification for special purposes and should not be used for slave addresses.

11.7 Acknowledge and Not Acknowledge

An acknowledge bit (ACK) is generated by the receiver, whether I²C master or slave, after every byte received. The ACK bit is how the receiver tells the transmitter that the byte was successfully received, and another byte might be sent.

A Not Acknowledge (NACK) occurs if the receiver does not generate an ACK when the transmitter releases SDA. A NACK allows SDA to float high during the acknowledge time slot. The I²C master can then either generate a STOP condition to abort the transfer, or it can generate a repeated START condition (that is, send a START condition without an intervening STOP condition) to start a new transfer.

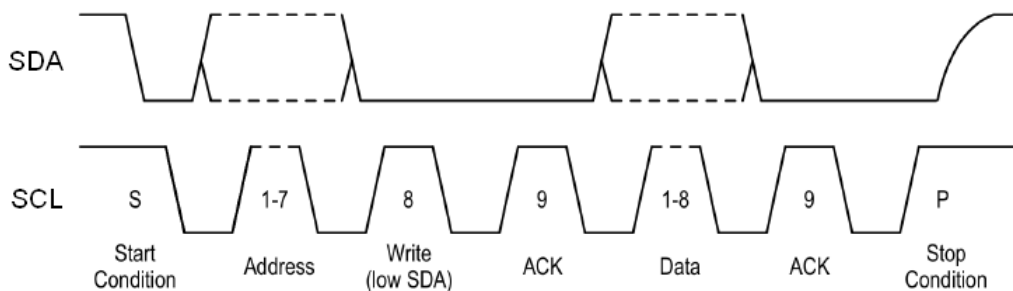
A receiver can generate a NACK after a byte transfer if any of the following conditions occur:

- No receiver is present on the bus with the transmitted address. In that case, no device will respond with an acknowledge signal.
- The receiver is unable to receive or transmit because it is busy and is not ready to start communication with the master.
- During the transfer, the receiver receives data or commands it does not understand.
- During the transfer, the receiver is unable to receive any more data.
- If an I²C master has requested data from a slave, it signals the slave to stop transmitting by sending a NACK following the last byte it requires.

11.8 Bit Transfer Process

Both SDA and SCL circuits are open-drain, bidirectional circuits. Each has an external pullup resistor that ensures each circuit is high when idle. The I²C specification states that during data transfer, the SDA line can change state only when SCL is low, and that SDA is stable and able to be read when SCL is high as shown in [Figure 11-1, below](#).

Figure 11-1: I²C Write Data Transfer



The process for an I²C data transfer is as follows:

1. A bus master indicates a data transfer to a slave with a START condition.
2. The master then transmits one byte with a 7-bit slave address and a single read-write bit: a zero for a write or a one for a read.
3. During the next SCL clock following the read-write bit, the master releases SDA. During this clock period, the addressed slave responds with an ACK by pulling SDA low.
4. The master senses the ACK condition and begins transferring data. If reading from the slave, it floats SDA and allows the slave to drive SDA to send data. After each byte, the master drives SDA low to acknowledge the byte. If writing to the slave, the master drives data on the SDA circuit for each of the eight bits of the byte, and then floats SDA during the ninth bit to allow the slave to reply with the ACK indication.
5. After the last byte is transferred, the master indicates the transfer is complete by generating a STOP condition. A STOP condition is generated when the master pulls SDA from a low to high while SCL is high.

11.9 SCL and SDA Bus Drivers

The I²C bus expects SCL and SDA to be open-drain signals. In this device, once the I²C peripheral is enabled and the proper GPIO alternate function is selected, the corresponding pad circuits are automatically configured as open-drain outputs. However, SCL can also be optionally configured as a push-pull driver to conserve power and avoid the need for any pull-up resistor. This should only be used in systems where no I²C slave device can hold SCL low. Push-pull operation is enabled by setting `I2Cn_CTRL0.sclppm` to 1. (SDA always operates in open-drain mode.)

11.9.1 I²C Interrupt Sources

The I²C Controller has a very flexible interrupt generator that generates an interrupt signal to the Interrupt Controller on any of several events. On recognizing the I²C interrupt, firmware determines the cause of the interrupt by reading the I²C Interrupt Flags registers *I2Cn_INTFLO* and *I2Cn_INTFL1*. Interrupts can be generated for the following events:

- Transaction Complete (Master/Slave)
- Address NACK received from slave (Master)
- Data NACK received from slave (Master)
- Lost arbitration (Master)
- Transaction timeout (Master/Slave)
- FIFO is empty, not empty, full to configurable threshold level (Master/Slave)
- TX FIFO locked (Master/Slave)
- Out of sequence START and STOP conditions (Master/Slave)
- Sent a NACK to an external master because the TX or RX FIFO was not ready (Slave)
- Address ACK or NACK received (Master)
- Incoming address match (Slave)
- TX Underflow or RX Overflow (Slave)

Interrupts for each event can be enabled or disabled by setting or clearing the corresponding bit in the *I2Cn_INTENO* or *I2Cn_INTEN1* interrupt enable register.

Note that disabling the interrupt does not prevent the corresponding flag from being set, only from generating an interrupt request.

It is recommended that before enabling an interrupt, the status of the corresponding interrupt flag should be checked and, if necessary, serviced or cleared. This prevents a previous interrupt event from interfering with a new I²C communications session.

11.9.2 SCL Clock Configurations

The SCL frequency is dependent upon the values of I²C peripheral clock and the values of the external resistor and capacitor on the SCL clock line.

Note: An external RC load on the SCL line will affect the target SCL frequency calculation.

Figure 11-2: I²C Specification Minimum and Maximum Clock Parameters

Parameter	Standard Mode		Fast Mode	
	Min	Max	Min	Max
SCL Clock Freq.	0	100 kHz	0	400 kHz
I ² C Hold Time	4.0 μs	-	0.6 μs	-
SCL High	4.0 μs	-	0.6 μs	-
SCL Low	4.7 μs	-	1.3 μs	-
t _{RC} Rise Time	-	1000 ns	20 ns	300 ns

11.9.3 Clock Synchronization

The I²C specification allows for more than one bus master. When more than one master is on the same bus, clock synchronization between different master's clocks is necessary. The I²C Master mode supports automatic clock synchronization and is compliant with the clock synchronization requirements of the I²C Specification. Clock synchronization is automatically handled in the I²C controller.

11.9.4 Transmit and Receive FIFOs

Each I²C master/slave has one 8-byte deep transmit FIFO (TX FIFO) and one 8-byte deep receive FIFO (RX FIFO) that reduces processor overhead. To further speed transfers, the DMA can read and write to each FIFO. When the DMA is used to read and write to the FIFOs, no additional I²C configuration is required and interrupts are still sent to the core. See the DMA section for more details.

When the receive FIFO is enabled, received bytes are automatically written to it. If the receive FIFO is full, no more data is written and any newly received bytes are lost.

When the transmit FIFO is enabled, either user firmware or the DMA can provide data to be transmitted. The oldest byte in the FIFO is sent out over SDA only when an ACK signal is received from an addressed slave.

Interrupts can be generated for the following FIFO status:

- TX FIFO level less than or equal to threshold
- RX FIFO level greater than or equal to threshold
- TX FIFO underflow
- RX FIFO overflow
- TX FIFO locked for writing

11.10 Clock Stretching

If a slave cannot receive or transmit a complete byte of data, it can force the master into a wait state by clock stretching. Clock stretching is when a slave holds SCL low after an ACK is on the bus. When the slave is ready, it releases the SCL line from low and then resumes the data transfer.

These I²C controller can hold SCL low in both master and slave modes after an ACK bit transmission. However, the term 'clock stretching' as defined in the I²C Bus Specification only applies if performed by a slave device. When an I²C master holds the SCL line low, the master is technically varying the clock speed. The master can vary the clock speed from DC (0Hz) up to the maximum f_{SCL} . For simplicity, this section describes situations where either an external slave or external master holds the SCL line low.

For clock stretching, SCL is held low after an ACK bit and before the first data bit. This is often done when a receiver cannot receive more data (usually from a full RX FIFO), or a transmitter needs to send more data but is not ready (usually from an empty TX FIFO).

However, during Interactive Receive Mode (IRXM), the receiver begins clock stretching before the ACK bit, allowing firmware time to decide whether to send an ACK or NACK. If operating in IRXM (*I2Cn_CTRL0.irxm*=1) as a slave with clock stretching disabled (*I2Cn_CTRL0.sclstrd*=1), SCL is not held low. Thus, the burden is on firmware to respond quickly enough to meet the data setup timing requirements as a late ACK could cause a transition on SDA while SCL is high, resulting in an unwanted STOP or RESTART. For these reasons, it is not recommended to use interactive receive mode with slave clock stretching disabled.

For a transmit operation as either master or slave, when the TX FIFO is empty after the last byte is shifted out, SCL is automatically held low until data is written to the TX FIFO. Master transmitters can stop clock stretching in this situation to end the transaction by sending a START or RESTART condition. When a slave transmitter sees an external master end the transaction by sending a NACK, it can then release SDA.

11.11 I²C Bus Timeout

The Timeout register, *I2Cn_TIMEOUT.to*, is used to detect bus errors. [Equation 11-1](#) and [Equation 11-2](#) show equations for calculating the maximum and minimum timeout values based on the value loaded into the *I2Cn_TIMEOUT.to* field.

Equation 11-1: I²C Timeout Maximum

$$t_{TIMEOUT} \leq \left(\frac{1}{f_{I2C_CLK}} \right) \times ((I2Cn_TIMEOUT.to \times 8) + 3)$$

Due to clock synchronization, the timeout is guaranteed to meet the following minimum time calculation shown in [Equation 11-2](#).

Equation 11-2: I²C Timeout Minimum

$$t_{TIMEOUT} \leq \left(\frac{1}{f_{I2C_CLK}} \right) \times ((I2Cn_TIMEOUT.to \times 8) + 2)$$

The timeout feature is disabled when *I2Cn_TIMEOUT.to* = 0 and is enabled for any non-zero value. When the timeout is enabled, the Timeout timer starts counting when SCL is driven low by this I²C and resets when SCL is released.

The timeout counter only monitors if the I²C port is driving SCL line low. It does not monitor if external I²C device is holding it low. The I2Cn peripheral does not monitor the status of the SDA line.

If the timeout timer expires a bus error condition has occurred and the I2Cn peripheral releases both the SCL and SDA lines and sets the timeout error interrupt flag to 1 (*I2Cn_INTFLO.toeri* = 1).

For applications where an external device may hold the SCL line low longer than the maximum timeout supported, the timeout can be disabled by setting the timeout field to 0 (*I2Cn_TIMEOUT.to* = 0).

11.12 I²C Addressing

After a START or RESTART condition, an address byte is transmitted where the first seven bits are the address, and the last bit indicates to the slave if the operation is a read or a write.

Table 11-1: I²C Address Byte Format

Slave Address Bits		R/W Bit	Description
0000	000	0	General Call Address
0000	000	1	START Condition
0000	001	x	CBUS Address
0000	010	x	Reserved for different bus format
0000	011	x	Reserved for future purposes
0000	1xx	x	HS-mode master code
1111	1xx	x	Reserved for future purposes
1111	0xx	x	10-bit slave addressing

In 7-bit addressing mode, the master sends one address byte. To address a 7-bit address slave, first clear *I2Cn_MSTR_MODE.sea* = 0, then write the address to the TX FIFO formatted as follows where An is address A6:A0.

Master write to Slave : 7-bit address : [A6A5A4A3A2A1A0 0]

Master read from Slave : 7-bit address : [A6A5A4A3A2A1A0 1]

In 10-bit addressing mode (*I2Cn_MSTR_MODE.sea*=1), the first byte the master sends is the 10-bit Slave Addressing byte which includes the first two bits of the 10-bit address, followed by a 0 for the R/W bit. That is followed by a second byte representing the remainder of the 10-bit address. If the operation is a write, this is followed by data bytes to be written to the slave. If the operation is a read, it is followed by a repeated START. Firmware then writes the 10-bit address again with a 1 for the R/W bit. The I²C controller then begins receiving data from the slave device.

If the RX FIFO is not empty and an I²C write occurs, the I²C hardware automatically sends a NACK.

The setting of the Do Not Respond bit (*I2Cn_RXCTRL0.dnr*) controls when a NACK is sent as follows:

- *I2Cn_RXCTRL0.dnr* = 1
 - ◆ A NACK is sent on the first address byte received and the hardware sets the Do Not Respond Interrupt Flag (*I2Cn_INTFLO.dnreri* = 1)
- *I2Cn_RXCTRL0.dnr* = 0
 - ◆ Sends an ACK for each address byte, but NACKs subsequent data received.

If the TX FIFO is not ready (*I2Cn_TXCTRL1.txrdy* = 0) and the I²C controller receives a data read, the hardware automatically sends a NACK during the first address byte. The setting of the Do Not Respond field is ignored by the hardware for this condition because it is the only opportunity to send a NACK for an I²C read transaction.

11.13 I²C TX FIFO and RX FIFO Management

There are separate transmit and receive FIFOs, TX FIFO and RX FIFO. Both are accessed using the FIFO Data register *I2Cn_FIFO*. Writes to this register enqueue data into the TX FIFO. Writes to a full TX FIFO have no effect. Reads from *I2Cn_FIFO* dequeue data from the RX FIFO. Reads from an empty RX FIFO returns 0xFF.

The TX and RX FIFO will only read or write one byte at a time. Transactions larger than 8 bits can still be performed, however. A 16- or 32-bit write to the TX FIFO stores just the lowest 8 bits of the write data. A 16- or 32-bit read from the RX FIFO will have the valid data in the lowest 8 bits and 0's in the upper bits. In any case, the TX and RX FIFOs will only accept

Both the RX FIFO and TX FIFO are flushed when the I²C port is disabled by clearing *I2Cn_CTRL0.i2cen*=0.

The TX FIFO and RX FIFO can be flushed by setting the Transmit FIFO Flush bit (*I2Cn_TXCTRL0.txfsh* = 1) or the Receive FIFO Flush bit (*I2Cn_RXCTRL0.rxfsh* = 1), respectively.

11.13.1 Transmit Lockout

Under certain conditions the TX FIFO is automatically locked by hardware and flushed so stale data is not unintentionally transmitted. The TX FIFO is automatically flushed and locked writes under the following conditions:

- General Call Address match and TX FIFO Preloading is disabled
- Slave Address match and TX FIFO Preloading is disabled
- Operating as a slave transmitter, and a NACK is received.
- Any of the following interrupts: Arbitration Error, Timeout Error, Master Mode Address NACK, Data NACK Error, Start Error, and STOP Condition Detected.

When the above conditions occur, the TX FIFO is flushed so stale data is not unintentionally transmitted. In addition, the Transmit Lockout Flag is set (*I2Cn_INTFLO.txloi*=1) and writes to the TX FIFO are ignored until firmware acknowledges the external event by clearing *I2Cn_INTFLO.txloi*.

Flushing the TX FIFO on Slave Address Match or General Call Match can be disabled using the Transmit FIFO Preload bit (*I2Cn_TXCTRL0.txpreld*). Setting this bit allows applications to preload the Transmit FIFO prior to a Slave Address Match. This can be combined with Slave Clock Stretching disabled (*I2Cn_CTRL0.sclstrd* = 0) to maximize the chance of completing a transmit operation without a transmit underflow error.

11.14 Interactive Receive Mode

In some situations, this I²C might want to inspect and respond to each byte of received data. In this case, Interactive Receive Mode can be used. Interactive Receive Mode is enabled by setting *I2Cn_CTRL0.irxm* = 1. If Interactive Receive Mode is enabled, it must occur before any I²C transfer is initiated.

When Interactive Receive Mode (IRXM) is enabled, after every data byte received this I²C automatically holds SCL low before the ACK bit, and after the 8th SCL falling edge sets the IRXM Interrupt Status Flag (*I2Cn_INTFLO.irxmi* = 1). Firmware can then read the received data and generate appropriate response based on the active low bit *I2Cn_CTRL0.ack*. If *I2Cn_CTRL0.ack*=1, this I²C acknowledges with a NACK (leaving SDA high). If *I2Cn_CTRL0.ack* = 0, then this I²C acknowledges with an ACK (pulling SDA low).

After deciding on the ACK/NACK response, write a 1 to clear *I2Cn_INTFLO.irxmi* to 0. This releases SCL and sends an *I2Cn_CTRL0.ack* value onto SDA. For both master and slave operations, SCL is released only after the necessary SCL low time requirement has been satisfied, to conform with $t_{su,dat}$ timing.

While this I²C is waiting for *I2Cn_INTFLO.irxmi* to be cleared, firmware can disable Interactive Receive Mode and, if operating as a master, load the remaining number of bytes to be received for the transaction. This allows firmware to examine the initial bytes of a transaction, which might be a command, and then disable Interactive Receive Mode to receive the remaining bytes.

During Interactive Receive Mode, received data is not placed in the RX FIFO. Instead, the *I2Cn_FIFO* address is repurposed to directly read the receive shift register, bypassing the RX FIFO. Therefore, before disabling Interactive Receive Mode, firmware must first read the data byte from *I2Cn_FIFO.data*. Otherwise, firmware would read 0xFF from an empty RX FIFO.

Note: Interactive Receive Mode does not apply to address bytes, only to data bytes.

Note: Interactive Receive Mode does not apply to general call address responses or START byte responses.

11.15 I²C DMA Control

There are independent DMA channels for each TX FIFO and each RX FIFO. DMA activity is triggered by the TX FIFO (*I2Cn_TXCTRL0.txth*) and RX FIFO (*I2Cn_RXCTRL0.rxth*) threshold levels.

11.15.1 I²C Transmit DMA Burst Size

When the TX FIFO byte count (*I2Cn_TXCTRL1.txfifo*) is less than or equal to the TX FIFO Threshold Level *I2Cn_TXCTRL0.txth*, then the DMA transfers data into the TX FIFO according to the DMA configuration. To ensure the DMA does not overflow the TX FIFO, the DMA burst size should be set as follows:

Equation 11-3: DMA Burst Size Calculation for I2C Transmit

$$\text{DMA Burst Size} = \text{TX FIFO Depth} - I2Cn_TXCTRL0.\text{txth} \equiv 8 - I2Cn_TXCTRL0.\text{txth}$$

$$\text{where } 0 \leq I2Cn_TXCTRL0 \leq 7$$

Applications trying to avoid transmit underflow and/or clock stretching should use a smaller burst size and higher *I2Cn_TXCTRL0.txth* setting. This fills up the FIFO more frequently but increases internal bus traffic.

11.15.2 I²C Receive DMA Burst Size

When the RX FIFO count (*I2Cn_RXCTRL1.rxfifo*) is greater than or equal to the RX FIFO Threshold Level *I2Cn_RXCTRL0.rxth*, the DMA transfers data out of the RX FIFO according to the DMA configuration. To ensure the DMA does not underflow the RX FIFO, the DMA burst size should be set as follows:

Equation 11-4: DMA Burst Size Calculation for I2C Receive

$$\text{DMA Burst Size} = I2Cn_RXCTRL0.\text{rxth}$$

$$\text{where } 1 \leq I2Cn_RXCTRL0.\text{rxth} \leq 8$$

Applications trying to avoid receive overflow and/or clock stretching should use a smaller burst size and lower *I2Cn_RXCTRL0.rxth*. This results in reading from the Receive FIFO more frequently but increases internal bus traffic.

*Note for receive operations, the length of the DMA transaction (in bytes) must be an integer multiple of *I2Cn_RXCTRL0.rxth*. Otherwise, the receive transaction will end with some data still in the RX FIFO, but not enough to trigger an interrupt to the DMA, leaving the DMA transaction incomplete. One easy way to ensure this for all transaction lengths is to set burst size to 1 (*I2Cn_RXCTRL0.rxth* = 1).*

To enable DMA transfers, enable the TX DMA channel (*I2Cn_DMA.txen*) and/or the RX DMA channel (*I2Cn_DMA.rxen*). Refer to the *DMA Controller* chapter for more information on configuring the DMA.

11.16 I²C Master Mode Transmit Operation

The peripheral operates in master mode when Master Mode Enable *I2Cn_CTRL0.mst*=1. To initiate a transfer, the master generates a START condition by setting *I2Cn_MSTR_MODE.start*=1. If the bus is busy, it does not generate a START condition until the bus is available.

A master can communicate with two slave devices without relinquishing the bus. Instead of generating a STOP condition after communicating with the first slave, the master generates a Repeated START condition, or RESTART,

by setting `I2Cn_MSTR_MODE.restart=1`. If a transaction is in progress, the master finishes the transaction before generating a RESTART. The controller then transmits the slave address stored in the TX FIFO. The `I2Cn_MSTR_MODE.restart` bit is automatically cleared to 0 as soon as the master begins a RESTART condition. The reception of a STOP condition clears any pending RESTART.

`I2Cn_MSTR_MODE.start` is automatically cleared to 0 after the master has completed a transaction and sent a STOP condition.

The master can also generate a STOP condition by setting `I2Cn_MSTR_MODE.stop = 1`.

If both START and RESTART conditions are enabled at the same time, a START condition is generated first. Then, at the end of the first transaction, a RESTART condition is generated.

If both RESTART and STOP conditions are enabled at the same time, a STOP condition is not generated. Instead, a RESTART condition is generated. After the RESTART condition is generated, both bits are cleared.

If START, RESTART, and STOP are all enabled at the same time, a START condition is first generated. At the end of the first transaction, a RESTART condition is generated. The `I2Cn_MSTR_MODE.stop` bit is cleared and ignored.

A slave cannot generate START, RESTART, or STOP conditions. Therefore, when Master Mode is disabled, the `I2Cn_MSTR_MODE.start`, `I2Cn_MSTR_MODE.restart`, and `I2Cn_MSTR_MODE.stop` bits are all cleared to 0.

Note: After starting a transfer, `I2Cn_MSTR_MODE.start = 1`, changing the I²C configuration results in unpredictable behavior.

11.17 I²C Master Mode Transmit Bus Arbitration

The I²C protocol supports multiple masters on the same bus. When the bus is free, it is possible that two masters might try to initiate communication at the same time. This is a valid bus condition. If this occurs, only one master can remain in master mode and complete its transaction. The other master must back off transmission and wait until the bus is idle. This process is called bus arbitration.

To determine which master wins the arbitration, each master compares the data being transmitted on SDA to the value observed on SDA. If the master attempting to transmit a 1 on SDA (that is, the master wants SDA to float) senses a 0 instead, that master concludes that it has lost arbitration because another master is transmitting a 0 onto SDA. It then cedes the bus by switching off its SDA driver.

Note that this arbitration scheme works with any number of bus masters: if more than two masters begin transmitting simultaneously, the arbitration continues as each master cedes the bus until only one master remains transmitting. Data is not corrupted because as soon as each master realizes it has lost arbitration it stops transmitting, leaving the data on SDA intact.

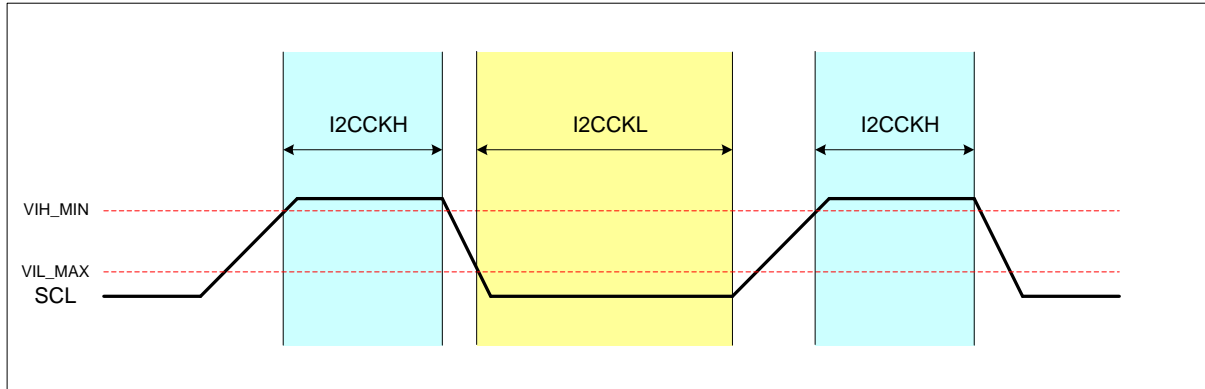
Once a master has lost arbitration it stops generating SCL, sets `I2Cn_INTFLO.areri`, and clears `I2Cn_MSTR_MODE.start`, `I2Cn_MSTR_MODE.restart`, and `I2Cn_MSTR_MODE.stop` to 0.

The I²C master peripheral is compliant with the bus arbitration requirements of the I²C specification. I²C bus arbitration is handled by the peripheral hardware and requires no additional configuration.

11.18 SCL Clock Generation

The master generates the I²C clock on the SCL line. The I²C clock base is supplied by the clock signal f_{I2C_CLK} .

Figure 11-3: I²C Clock Period



The SCL high time is configured in the I2C Clock High Time register $I2Cn_CLKHI.ckh$. The SCL low time is configured in the I²C Clock Low Time register $I2Cn_CLKLO.ckl$.

$$\begin{aligned} \text{SCL High Time} &= t_{I2C_CLK} \times (I2Cn_CLKHI.ckh + 1) \\ \text{SCL Low Time} &= t_{I2C_CLK} \times (I2Cn_CLKLO.ckl + 1) \end{aligned}$$

During synchronization, external masters or external slaves may be driving SCL simultaneously. This affects the SCL duty cycle. By monitoring SCL, the controller can determine whether an external master or slave is holding SCL low. In either case, the controller waits until SCL is high before starting to count the number of SCL high cycles. Similarly, if an external master pulls SCL low before the controller has finished counting SCL high cycles, then the controller starts counting SCL low cycles and releases SCL once the time period, $I2Cn_CLKLO.ckl$, has expired.

Because the controller does not start counting the high/low time until the input buffer detects the new value, the actual clock behavior is based on many factors. These include bus loading, other devices on the bus holding SCL low, and the filter delay time of this device.

11.19 TX FIFO Preloading

There may be situations where, when operating as a slave, firmware wants to preload the TX FIFO prior to a transmission, such as when clock stretching is disabled. Firmware may also want to respond to an external master requesting data by sending a NACK until the requested data is ready to transmit, rather than sending an ACK and then holding the bus low while the data is prepared. By default, however, Address Match and General Call Match clear the TX FIFO preventing firmware from preloading data into the TX FIFO. Firmware can change this behavior by enabling TX FIFO Preloading.

When TX FIFO Preloading is enabled, the application firmware controls ACKs to the external master using the TX Ready ($I2Cn_TXCTRL1.txrdy$) bit. When $I2Cn_TXCTRL1.txrdy$ is set to 0, hardware automatically NACKs all read transactions from the Master. Setting $I2Cn_TXCTRL1.txrdy$ to 1 sends an ACK to the Master on the next read transaction and transmits the data in the TX FIFO. Preloading the TX FIFO must be complete prior to setting the $I2Cn_TXCTRL1.txrdy$ field to 1.

The required steps for implementing TX FIFO Preloading in an application are as follow:

1. Set `I2Cn_TXCTRL1.txdy` to 0
2. Enable TX FIFO Preloading by setting `I2Cn_TXCTRL0.txpreld` to 1.
3. If the TX FIFO Lockout Flag (`I2Cn_INTFLO.txloi`) is set to 1, write 1 to clear the flag and enable writes to the TX FIFO.
4. Enable DMA or Interrupts if required.
5. Load the TX FIFO with the data to send when the Master sends the next read request.
6. Set `I2Cn_TXCTRL1.txdy` to 1 to automatically let the hardware send the preloaded FIFO on the next read from a Master.
7. `I2Cn_TXCTRL1.txdy` is cleared by hardware when a read occurs and data is transmitted from the TX FIFO. Once cleared, the application firmware may repeat the Preloading process or disable TX FIFO Preloading.

Note: The TX FIFO Lockout flag is set if an error condition occurs while TX FIFO Preloading is enabled.

11.20 Master Mode Receiver Operation

When in Master Mode, initiating a Master Receiver operation begins with the following sequence:

1. Write the number of data bytes to be received to `I2Cn_RXCTRL1.rxcnt`.
2. Write the Slave Address to the TX FIFO with the R/W bit set to 1
3. Send a START condition by setting `I2Cn_MSTR_MODE.start = 1`
4. Slave address is automatically pushed out of the TX FIFO
5. This I2C receives an ACK from the slave, setting `I2Cn_INTFLO.adracki = 1`
6. This I2C receives data from the slave and automatically replies with an ACK to each.
7. Once `I2Cn_RXCTRL1.rxcnt` data bytes have been received, this I2C sends a NACK to the slave and sets the Transfer Done Interrupt Status Flag `I2Cn_INTFLO.donei`
8. If `I2Cn_MSTR_MODE.restart` or `I2Cn_MSTR_MODE.stop` is set, then this I2C sends a repeated START or STOP, respectively.

11.21 I²C Registers

Refer to the [Peripheral Register Map](#) section for the I2C0 and I2C1 Register Base Addresses.

Table 11-2: I2C Registers

Offset	Register Name	Access	Description
[0x0000]	<code>I2Cn_CTRL0</code>	R/W	I ² C Control 0 Register
[0x0004]	<code>I2Cn_STATUS</code>	RO	I ² C Status Register
[0x0008]	<code>I2Cn_INTFLO</code>	R/W1C	I ² C Interrupt Flags 0 Register
[0x000C]	<code>I2Cn_INTENO</code>	R/W	I ² C Interrupt Enable 0 Register
[0x0010]	<code>I2Cn_INTFL1</code>	R/W1C	I ² C Interrupts Flags 1 Register
[0x0014]	<code>I2Cn_INTEN1</code>	R/W	I ² C Interrupts Enable 1 Register
[0x0018]	<code>I2Cn_FIFOLEN</code>	RO	I ² C FIFO Length Register
[0x001C]	<code>I2Cn_RXCTRL0</code>	R/W	I ² C Receive Control 0 Register
[0x0020]	<code>I2Cn_RXCTRL1</code>	R/W	I ² C Receive Control 1 Register 1
[0x0024]	<code>I2Cn_TXCTRL0</code>	R/W	I ² C Transmit Control 0 Register 0
[0x0028]	<code>I2Cn_TXCTRL1</code>	R/W	I ² C Transmit Control 1 Register 1
[0x002C]	<code>I2Cn_FIFO</code>	R/W	I ² C Transmit and Receive FIFO Register
[0x0030]	<code>I2Cn_MSTR_MODE</code>	R/W	I ² C Master Mode Register
[0x0034]	<code>I2Cn_CLKLO</code>	R/W	I ² C Clock Low Time Register

Offset	Register Name	Access	Description
[0x0038]	<i>I2Cn_CLKHI</i>	R/W	I ² C Clock High Time Register
[0x0040]	<i>I2Cn_TIMEOUT</i>	R/W	I ² C Timeout Register
[0x0044]	<i>I2Cn_SLADDR</i>	R/W	I ² C Slave Address Register
[0x0048]	<i>I2Cn_DMA</i>	R/W	I ² C DMA Enable Register

Table 11-3: I²C Control Registers 0

I ² C Control 0 Register			I2Cn_CTRL0		[0x0000]
Bits	Name	Access	Reset	Description	
31:16	-	R/W	0	Reserved for Future Use Do not modify.	
15	hsmode	R/W	-	High Speed Mode This field must always be set to 0. High speed mode is not supported.	
14	-	R/W	0	Reserved for Future Use Do not modify this field.	
13	scl_ppm	R/W	0	SCL Push-Pull Mode Enable Setting this field enables push-pull mode for the SCL hardware pin. This field should not be set unless any external slave device will never actively drive SCL low. 0: SCL operates in standard I ² C open-drain mode 1: SCL operates in push-pull mode without the need for a pull-up resistor. Only recommended when in Master mode and external slaves will not drive SCL low.	
12	scl_strd	R/W	0	SCL Clock Stretch Control 0: Enable Slave clock stretching 1: Disable Slave clock stretching	
11	read	R	0	Read/Write Bit Status Returns the logic level of the R/W bit on a received address match (<i>I2Cn_INTFLO.ami</i> = 1) or general call match (<i>I2Cn_INTFLO.gci</i> = 1). This bit is valid for three SCL clock cycles after the address match status flag is set.	
10	swoe	R/W	0	Software output Enabled When set, pins SDA and SCL are directly controlled by the fields <i>I2Cn_CTRL0.sdao</i> and <i>I2Cn_CTRL0.sclo</i> , rather than the I ² C controller. Setting this field to 1 enables software bit bang control of I ² C. 0: The I ² C controller manages the SDA and SCL pins in hardware. 1: SDA and SCL are controller by firmware using the <i>I2Cn_CTRL0.sdao</i> and <i>I2Cn_CTRL0.sclo</i> fields.	
9	sda	RO	-	SDA Status Returns the current logic level of the SDA pin. 0: SDA pin is logic low. 1: SDA pin is logic high.	
8	scl	RO	-	SCL Status Returns the current logic level of the SCL hardware pin. 0: SCL pin is logic low. 1: SCL pin is logic high.	
7	sdao	R/W	0	SDA Pin Control Set the state of the SDA hardware pin (actively pull low or float). 0: Pull SDA Low 1: Release SDA <i>Note: Only valid when I2Cn_CTRL0.swoe=1</i>	

I ² C Control 0 Register			I2Cn_CTRL0		[0x0000]
Bits	Name	Access	Reset	Description	
6	scl0	R/W	0	SCL Pin Control Set the state of the SCL hardware pin (actively pull low or float). 0: Pull SCL low 1: Release SCL <i>Note: Only valid when I2Cn_CTRL0.swoe=1</i>	
5	-	R/W	0	Reserved for Future Use Do not modify.	
4	ack	R/W	0	Interactive Receive Mode (IRM) Acknowledge If IRM is enabled (I2Cn_CTRL0.irxm = 1), this field determines if the hardware sends an ACK or a NACK to an IRM transaction. 0: Respond to IRM with ACK 1: Respond to IRM with NACK	
3	irxm	R/W	0	Interactive Receive Mode (IRXM) When receiving data, allows for an Interactive Receive Mode (IRM) interrupt event after each received byte of data. The I ² C peripheral hardware can be enabled to send either an ACK or NACK for IRM. See Interactive Receive Mode section for detailed information. 0: Disable Interactive Receive Mode 1: Enable Interactive Receive Mode <i>Note: Only set this field when the I²C bus is inactive.</i>	
2	gcn	R/W	0	General Call Address Enable Set this field to 1 to enable General Call Address Acknowledgement. 0: Ignore General Call Address 1: Acknowledge General Call Address	
1	mst	R/W	0	Master Mode Enable Setting this field to 1 enables Master mode operation for the I ² C peripheral. Setting this field to 0 enables the I ² C peripheral for Slave mode operation. 0: Slave mode enabled 1: Master mode enabled	
0	i2cen	R/W	0	I²C Enable Set this field to 1 to enable the I ² C peripheral. 0: I ² C peripheral disabled 1: I ² C peripheral enabled	

Table 11-4: I²C Status Registers

I ² C Status Register			I2Cn_STATUS		[0x0004]
Bits	Name	Access	Reset	Description	
31:6	-	R/W	-	Reserved for Future Use Do not modify this field.	
5	ckmd	RO	0	SCL Drive Status This field indicates if an external device is behaving as a master by actively driving the SCL line. 0: External device not driving SCL 1: External device is a Master actively driving the SCL pin	
4	txf	RO	0	TX FIFO Full When set, the TX FIFO is full. 0: TX FIFO is not full 1: TX FIFO full	

I ² C Status Register			I2Cn_STATUS		[0x0004]
Bits	Name	Access	Reset	Description	
3	txe	RO	1	TX FIFO Empty If set, the TX FIFO is empty. 0: TX FIFO is not empty 1: TX FIFO is empty	
2	rxf	RO	0	RX FIFO Full If set, the RX FIFO is full. 0: RX FIFO not full 1: RX FIFO Full	
1	rxo	RO	1	RX FIFO Empty If set, the RX FIFO is empty. 0: RX FIFO is not empty 1: RX FIFO is empty	
0	busy	RO	0	Bus Busy If set, the I ² C bus is active. 0: Bus is idle 1: Bus is busy	

Table 11-5: I²C Interrupt Status Flags Registers 0

I ² C Interrupt Status Flags 0 Register			I2Cn_INTFLO		[0x0008]
Bits	Name	Access	Reset	Description	
31:16	-	R/W	0	Reserved for Future Use Do not modify this field.	
15	txloi	R/W1C	0	TX FIFO Locked Interrupt Flag If set, the TX FIFO is locked and writes to the TX FIFO are ignored. This field is set to 1 by hardware to prevent stale data from being transmitted from the TX FIFO. When set, the TX FIFO is automatically flushed. Writes to the TX FIFO are ignored until this flag is cleared. Write 1 to clear. 0: TX FIFO not locked. 1: TX FIFO is locked and all writes to the TX FIFO are ignored.	
14	stoperi	R/W1C	0	Out of Sequence STOP Interrupt Flag This flag is set if a STOP condition occurs on the I ² C Bus out of expected sequence. Write 1 to clear this field. Writing 0 has no effect. 0: Error condition has not occurred. 1: Out of sequence STOP condition occurred.	
13	strteri	R/W1C	0	Out of Sequence START Interrupt Flag This flag is set if a START condition occurs on the I ² C Bus out of expected sequence. Write 1 to clear this field. Writing 0 has no effect. 0: Error condition has not occurred. 1: Out of sequence START condition occurred.	
12	dnreri	R/W1C	0	Slave Mode Do Not Respond Interrupt Flag This occurs if an address match is made, but the TX FIFO or RX FIFO is not ready. Write 1 to clear this field. Writing 0 has no effect. 0: Error condition has not occurred. 1: I ² C address match has occurred and either the TX or RX FIFO is not configured.	

I ² C Interrupt Status Flags 0 Register			I2Cn_INTFLO		[0x0008]
Bits	Name	Access	Reset	Description	
11	dateri	R/W1C	0	Master Mode: Data NACK from External Slave Interrupt Flag This flag is set by hardware if a NACK is received from a slave on the I ² C bus. This flag is only valid if the I2Cn peripheral is configured for Master Mode operation. Write 1 to clear. Write 0 has no effect. 0: Error condition has not occurred. 1: Data NACK received from a slave.	
10	adreri	R/W1C	0	Master Mode: Address NACK from Slave Error Flag This flag is set by hardware if an Address NACK is received from a slave on the I ² C bus. This flag is only valid if the I2Cn peripheral is configured for Master Mode operation. Write 1 to clear. Write 0 has no effect. 0: Error condition has not occurred. 1: Address NACK received from a slave.	
9	toeri	R/ W1C	0	Timeout Error Interrupt Flag This occurs when this device holds SCL low longer than the programmed timeout value. Applies to both Master and Slave Mode. Write 1 to clear. Write 0 has no effect. 0: Timeout error has not occurred. 1: Timeout error occurred.	
8	arberi	R/ W1C	0	Master Mode Arbitration Lost Interrupt Flag Write 1 to clear. Write 0 has no effect. 0: Condition has not occurred. 1: Condition occurred.	
7	adracki	R/ W1C	0	Master Mode: Address ACK from External Slave Interrupt Flag This field is set when a slave address ACK is received. Write 1 to clear. Write 0 has no effect. 0: Condition has not occurred. 1: The slave device ACK for the address was received.	
6	stopi	R/ W1C	0	Slave Mode: STOP Condition Interrupt Flag This flag is set by hardware when a STOP condition is detected on the I2C bus. Write 1 to clear. Write 0 has no effect. 0: Stop condition has not occurred 1: Stop condition occurred	
5	txthi	RO	1	TX FIFO Threshold Level Interrupt Flag This field is set by hardware if the number of bytes in the Transmit FIFO is less than or equal to the Transmit FIFO threshold level. Write 1 to clear. This field is automatically cleared by hardware when the TX FIFO contains fewer bytes than the TX threshold level. 0: TX FIFO contains more bytes than the TX threshold level. 1: TX FIFO contains TX threshold level or fewer bytes (Default).	
4	rxthi	RO	1	RX FIFO Threshold Level Interrupt Flag This field is set by hardware if the number of bytes in the Receive FIFO is greater than or equal top the Receive FIFO threshold level. This field is automatically cleared when the RX FIFO contains fewer bytes than the RX threshold setting. 0: RX FIFO contains fewer bytes than the RX threshold level. 1: RX FIFO contains at least RX threshold level of bytes (Default).	
3	ami	R/W1C	0	Slave Mode: Address Match Status Interrupt Flag In Slave Mode operation, a slave mode address match condition has occurred. Write 1 to clear. Writing 0 has no effect. 0: Slave address match has not occurred. 1: Slave address match occurred.	

I ² C Interrupt Status Flags 0 Register			I2Cn_INTFLO		[0x0008]
Bits	Name	Access	Reset	Description	
2	gci	R/W1C	0	Slave Mode: General Call Address Match Received Interrupt Flag In Slave Mode operation, a general call address match condition has occurred. Write 1 to clear. Writing 0 has no effect. 0: General call address match has not occurred. 1: General call address match occurred.	
1	irxmi	R/W1C	0	Interactive Receive Mode Interrupt Flag Write 1 to clear. Writing 0 is ignored. 0: Interrupt condition has not occurred. 1: Interrupt condition occurred.	
0	donei	R/W1C	0	Transfer Complete Interrupt Flag This flag is set for both Master and Slave mode for both transmit and receive operations on the SCL falling edge after an ACK is received or sent. Write 1 to clear. Writing 0 has no effect. 0: Transfer is not complete. 1: Transfer complete.	

Table 11-6: I²C Interrupt Enable 0 Registers

I ² C Interrupt Enable 0 Register			I2Cn_INTEN0		[0x000C]
Bits	Name	Access	Reset	Description	
31:16	-	R/W	0	Reserved for Future Use Do not modify this field..	
15	txloie	R/W	0	TX FIFO Locked Out Interrupt Enable Set this field to enable events for TX FIFO lock events. 0: Interrupt disabled. 1: Interrupt enabled.	
14	stoperie	R/W	0	Out of Sequence STOP condition detected Interrupt Enable Set this field to enable events for an out of sequence STOP condition event. 0: Interrupt disabled. 1: Interrupt enabled.	
13	strterie	R/W	0	Out of Sequence START condition detected Interrupt Enable Set this field to enable events for an out of sequence START condition event. 0: Interrupt disabled. 1: Interrupt enabled.	
12	dnrerie	R/W	0	Slave Mode Do Not Respond Interrupt Enable Set this field to enable events in Slave Mode when the Do Not Respond condition occurs. 0: Interrupt disabled. 1: Interrupt enabled.	
11	daterie	R/W	0	Master Mode Received Data NACK from Slave Interrupt Enable Set this field to enable events for Master Mode external device data NACK events. 0: Interrupt disabled. 1: Interrupt enabled.	
10	adrerie	R/W	0	Master Mode Received Address NACK from Slave Interrupt Enable Set this field to enable events for Master Mode slave device address NACK events. 0: Interrupt disabled. 1: Interrupt enabled.	

I ² C Interrupt Enable 0 Register			I2Cn_INTEN0		[0x000C]
Bits	Name	Access	Reset	Description	
9	toerie	R/W	0	Timeout Error Interrupt Enable Set this field to enable events for a timeout error interrupt event. 0: Interrupt disabled. 1: Interrupt enabled.	
8	arberie	R/W	0	Master Mode Arbitration Lost Interrupt Enable Set this field to enable events in Master Mode for arbitration lost events. 0: Interrupt disabled. 1: Interrupt enabled.	
7	adrackie	R/W	0	Received Address ACK from Slave Interrupt Enable Set this field to enable events for Master Mode slave device address ACK events. 0: Interrupt disabled. 1: Interrupt enabled.	
6	stopie	R/W	0	STOP Condition Detected Interrupt Enable Set this field to enable interrupt events for STOP conditions. 0: Interrupt disabled. 1: Interrupt enabled.	
5	txthie	R/W	0	TX FIFO Threshold Level Interrupt Enable Set this field to enable interrupt events when a TX FIFO threshold event occurs. 0: Interrupt disabled. 1: Interrupt enabled.	
4	rxthie	R/W	0	RX FIFO Threshold Level Interrupt Enable Set this field to enable interrupt events when an RX FIFO threshold event occurs. 0: Interrupt disabled. 1: Interrupt enabled.	
3	amie	R/W	0	Slave Mode Incoming Address Match Interrupt Enable Set this field to enable the slave mode address match interrupt event. 0: Interrupt disabled. 1: Interrupt enabled.	
2	gcie	R/W	0	Slave Mode General Call Address Match Received Interrupt Enable Set this field to enable the slave mode general call address match received interrupt event. 0: Interrupt disabled. 1: Interrupt enabled.	
1	irxmie	R/W	0	Interactive Receive Interrupt Enable Set this field to enable the interactive receive interrupt event. 0: Interrupt disabled. 1: Interrupt enabled.	
0	doneie	R/W	0	Transfer Complete Interrupt Enable Set this field to enable the transfer complete interrupt event. 0: Interrupt disabled. 1: Interrupt enabled.	

Table 11-7: I²C Interrupt Status Flags 1 Registers

I ² C Interrupt Status Flags 1 Register			I2Cn_INTFL1		[0x0010]
Bits	Name	Access	Reset	Description	
31:2	-	R/W	-	Reserved for Future Use Do not modify this field.	
1	txufi	R/W1C	0	Slave Mode: TX FIFO Underflow Status Flag In Slave Mode operation, the hardware sets this flag automatically if the TX FIFO is empty and the master requests more data by sending an ACK after the previous byte transferred. 0: Slave mode TX FIFO underflow condition has not occurred. 1: Slave mode TX FIFO underflow condition occurred.	
0	rxofi	R/W1C	0	Slave Mode: RX FIFO Overflow Status Flag In Slave Mode operation, the hardware sets this flag automatically when an RX FIFO overflow occurs. Write 1 to clear. Writing 0 has no effect. 0: Slave mode RX FIFO overflow event has not occurred. 1: Slave mode RX FIFO overflow condition occurred (data lost).	

Table 11-8: I²C Interrupt Enable Registers 1

I ² C Interrupt Enable 1 Register			I2Cn_INTEN1		[0x0014]
Bits	Name	Access	Reset	Description	
31:2	-	R/W	0	Reserved for Future Use Do not modify this field.	
1	txufie	R/W	0	Slave Mode TX FIFO Underflow Interrupt Enable In slave mode operation, set this field to enable the TX FIFO underflow interrupt. 0: Interrupt disabled. 1: Interrupt enabled.	
0	rxofie	R/W	0	Slave Mode RX FIFO Overflow Interrupt Enable In slave mode operation, set this field to enable the RX FIFO overflow interrupt. 0: Interrupt disabled. 1: Interrupt enabled.	

Table 11-9: I²C FIFO Length Registers

I ² C FIFO Length Register			I2Cn_FIFOLEN		[0x0018]
Bits	Name	Access	Reset	Description	
31:16	-	R/W	0	Reserved for Future Use Do not modify this field.	
15:8	txlen	RO	8	TX FIFO Length Returns the length of the TX FIFO. 8: 8-byte TX FIFO.	
7:0	rxlen	RO	8	RX FIFO Length Returns the length of the RX FIFO. 8: 8-byte RX FIFO.	

Table 11-10: I²C Receive Control Registers 0

I ² C Receive Control Register 0				I2Cn_RXCTRL0	[0x001C]
Bits	Name	Access	Reset	Description	
31:12	-	R/W	0	Reserved for Future Use Do not modify this field.	
11:8	rxth	R/W	0	RX FIFO Threshold Level Set this field to the required number of bytes to trigger a RX FIFO threshold event. When the number of bytes in the RX FIFO is equal to or greater than this field, the hardware sets the <i>I2Cn_INTFLO.rxthi</i> bit indicating an RX FIFO threshold level event. 0: 0 bytes or more in the RX FIFO causes a threshold event. 1: 1+ bytes in the RX FIFO triggers a receive threshold event (recommended minimum value). ... 8: RX FIFO threshold event only occurs when the RX FIFO is full.	
7	rxfsh	R/W10	0	Flush RX FIFO Write 1 to this field to initiate a RX FIFO flush, clearing all data in the RX FIFO. This field is automatically cleared by hardware when the RX FIFO flush completes. Writing 0 has no effect. 0: RX FIFO flush complete or not active. 1: Flush the RX FIFO	
6:1	-	R/W	0	Reserved for Future Use Do not modify this field.	
0	dnr	R/W	0	Do Not Respond Slave mode operation only. 0: If the RX FIFO contains data and an external master requests a WRITE transaction, respond to an address match with an ACK but NACK the subsequent data byte(s). (No additional data is written into the RX FIFO.) 1: If the RX FIFO contains data and a master requests a WRITE transaction, do not respond to an address match and send a NACK instead.	

Table 11-11: I²C Receive Control 1 Registers

I ² C Receive Control 1 Register				I2Cn_RXCTRL1	[0x0020]
Bits	Name	Access	Reset	Description	
31:12	-	R/W	0	Reserved for Future Use Do not modify this field.	
11:8	rxfifo	R	0	RX FIFO Byte Count Status Returns the number of bytes currently in the RX FIFO. 0: No data in the RX FIFO. ... 8: 8 bytes in the RX FIFO (max value).	
7:0	rxcnt	R/W	1	RX FIFO Transaction Byte Count Configuration When in Master Mode, write the number of bytes to be received in a transaction from 1 to 256. 0x00 represents 256. 0: 256 byte receive transaction. 1: 1 byte receive transaction. 2: 2 byte receive transaction. ... 255: 255 byte receive transaction.	

Table 11-12: I²C Transmit Control Registers 0

I ² C Transmit Control Register 0				I2Cn_TXCTRL0	[0x0024]
Bits	Name	Access	Reset	Description	
31:12	-	R/W	-	Reserved for Future Use Do not modify this field.	
11:8	txth	R/W	0	TX FIFO Threshold Level Sets the level for a Transmit FIFO threshold event interrupt. If the number of bytes remaining in the TX FIFO falls to this level or lower the interrupt flag <i>I2Cn_INTFLO.txthi</i> is set indicating a TX FIFO Threshold Event occurred. 0: 0 bytes remaining in the TX FIFO triggers a TX FIFO threshold event. 1: 1 byte or less remaining in the TX FIFO triggers a TX FIFO threshold event (recommended minimum value). ... 7: 7 or fewer bytes remaining in the TX FIFO triggers a TX FIFO threshold event	
7	txfsh	R/W10	0	TX FIFO Flush Write this field to 1 to initiate a TX FIFO flush, clearing all remaining data from the transmit FIFO. 0: TX FIFO flush is complete or not active. 1: Flush the TX FIFO <i>Note: Hardware automatically clears this bit to 0 after it is written to 1 when the flush is completed.</i> If <i>I2Cn_INTFLO.txloi</i> = 1, then <i>I2Cn_TXCTRL0.txfsh</i> = 1.	
6:1	-	R/W	0	Reserved for Future Use Do not modify this field.	
0	txpreld	R/W	0	TX FIFO Preload Mode Enable 0: Normal operation. An address match in Slave Mode, or a General Call address match, will flush and lock the TX FIFO so it cannot be written and set <i>I2Cn_INTFLO.txloi</i> . 1: TX FIFO Preload Mode. An address match in Slave Mode, or a General Call address match, will not lock the TX FIFO and will not set <i>I2Cn_INTFLO.txloi</i> . This allows firmware to preload data into the TX FIFO. The status of the I2C is controllable at <i>I2Cn_TXCTRL1.txrdy</i> .	

Table 11-13: I²C Transmit Control Registers 1

I ² C Transmit Control Register 1				I2Cn_TXCTRL1	[0x0028]
Bits	Name	Access	Reset	Description	
31:12	-	R/W	0	Reserved for Future Use Do not modify.	
11:8	txfifo	RO	0x0	Transmit FIFO Byte Count Status Contains the number of bytes in the TX FIFO	
7:2	-	R/W	0	Reserved for Future Use Do not modify.	

I ² C Transmit Control Register 1			I2Cn_TXCTRL1		[0x0028]
Bits	Name	Access	Reset	Description	
1	txlast	R/W10	0	Slave Mode Transmit Last This bit decides what to do if the I ² C is in Slave Mode, is transmitting data to a Master, and the TX FIFO is empty. 0: Hold SCL low. This pauses transmission until data is written to the TX FIFO. 1: End transaction by releasing SCL. Cleared on a STOP/RESTART condition, or if <i>I2Cn_INTFLO.txloi</i> =1 (transmit FIFO locked for writing).	
0	txrdy	R/W10	1	Transmit FIFO Preload Ready Status When TX FIFO Preload Mode is enabled, <i>I2Cn_TXCTRL0.txpreld</i> = 1, this bit is automatically cleared to 0. While this bit is 0, if the I ² C hardware receives a slave address match a NACK is sent. Once the I ² C hardware is ready (firmware has preloaded the TX FIFO, configured the DMA, etc.) application firmware must set this bit to 1 so the I ² C hardware will send an ACK on a slave address match. When TX FIFO Preload Mode is disabled, <i>I2Cn_TXCTRL0.txpreld</i> = 1, this bit is forced to 1 and the I ² C hardware behaves normally.	

Table 11-14: I²C Data Registers

I ² C Data Register			I2Cn_FIFO		[0x002C]
Bits	Name	Access	Reset	Description	
31:8	-	R/W	0	Reserved for Future Use Do not modify this field.	
7:0	data	R/W	0xFF	I²C FIFO Data Register Reads from this register pops data off the RX FIFO. Writes to this register pushes data onto the TX FIFO. Reading from an empty RX FIFO returns 0xFF. Writes to a full TX FIFO are ignored.	

Table 11-15: I²C Master Mode Control Registers

I ² C Master Mode Control Register			I2Cn_MSTR_MODE		[0x0030]
Bits	Name	Access	Reset	Description	
31:8	-	R/W	0	Reserved for Future Use Do not modify this field.	
7	sea	R/W	0	Slave Extended Addressing 0: Send a 7-bit address to the slave 1: Send a 10-bit address to the slave	
6:3	-	R/W	0	Reserved for Future Use Do not modify.	
2	stop	R/W10	0	Send STOP Condition 0: Stop condition completed or inactive. 1: Send a STOP Condition <i>Note: This bit is automatically cleared by hardware when the STOP condition begins.</i>	

I ² C Master Mode Control Register			I2Cn_MSTR_MODE		[0x0030]
Bits	Name	Access	Reset	Description	
1	restart	R/W10	0	Send Repeated START Condition After sending data to a slave, instead of sending a STOP condition the master may send another START to retain control of the bus. 0: Repeated start condition complete or inactive. 1: Send a Repeated START <i>Note: This bit is automatically cleared by hardware when the repeated START condition begins.</i>	
0	start	R/W10	0	Start Master Mode Transfer 0: Master mode transfer inactive. 1: Start Master Mode Transfer <i>Note: This bit is automatically cleared by hardware when the transfer is completed or aborted.</i>	

Table 11-16: I²C SCL Low Control Register

I ² C Clock Low Control			I2Cn_CLKLO		[0x0034]
Bits	Name	Access	Reset	Description	
31:9	-	R/W	0	Reserved for Future Use Do not modify.	
8:0	scl_lo	R/W	1	Clock Low Time In Master Mode, this configures the SCL low time. $t_{SCL_LOW} = f_{I2C_CLK} \times (scl_lo + 1)$ <i>Note: 0 is not a valid setting for this field.</i>	

Table 11-17: I²C SCL High Control Register

I ² C Clock High Control Register			I2Cn_CLKHI		[0x0038]
Bits	Name	Access	Reset	Description	
31:9	-	R/W	0	Reserved for Future Use Do not modify.	
8:0	scl_hi	R/W	1	Clock High Time In Master Mode, this configures the SCL high time. $t_{SCL_HIGH} = 1/f_{I2C_CLK} \times (scl_hi + 1)$ In both Master and Slave Mode, this also configures the time SCL is held low after new data is loaded from the TX FIFO or after firmware clears irxmi during Interactive Receive Mode. <i>Note: 0 is not a valid setting for this field.</i>	

Table 11-18: I²C Timeout Registers

I ² C Timeout Register			I2Cn_TIMEOUT		[0x0040]
Bits	Name	Access	Reset	Description	
31:16	-	R/W	0	Reserved for Future Use	

I ² C Timeout Register			I2Cn_TIMEOUT		[0x0040]
Bits	Name	Access	Reset	Description	
15:0	to	R/W	0	<p>Bus Error SCL Timeout Period Set this value to the number of I2C clock cycles desired to cause a bus timeout error.</p> <p>The I2Cn peripheral timeout timer starts when it pulls SCL low. After the I2Cn peripheral releases the line, if the line is not pulled high prior to the timeout number of I2C clock cycles, a bus error condition is set (I2Cn_INTFLO.toeri = 1) and the I2Cn peripheral releases the SCL and SDA lines</p> <p>0: Timeout disabled. All other values result in a timeout calculation of:</p> $t_{BUS_TIMEOUT} = \frac{1}{f_{I2C_CLK}} \times to$ <p>The timeout counter only monitors how this device is driving SCL, not an external I2C.</p>	

Table 11-19: I²C Slave Address Register

I ² C Slave Address Register			I2Cn_SLADDR		[0x0044]
Bits	Name	Access	Reset	Description	
31:16	-	R/W	0	<p>Reserved for Future Use Do not modify.</p>	
15	ea	R/W	0	<p>Slave Mode Extended Address Select When this I2C is operating in Slave Mode, this bit selects whether sla contains a 7-bit or 10-bit address.</p> <p>0: 7-bit addressing 1: 10-bit addressing</p>	
14:10	-	R/W	0	<p>Reserved for Future Use Do not modify.</p>	
9:0	sla	R/W	0	<p>Slave Mode Slave Address When this I2C is operating in Slave Mode, this contains the slave address of this I2C.</p>	

Table 11-20: I²C DMA Register

I ² C DMA Register			I2Cn_DMA		[0x0048]
Bits	Name	Access	Reset	Description	
31:2	-	R/W	0	<p>Reserved for Future Use</p>	
1	rxen	R/W	0	<p>RX DMA Channel Enable 0: Disable RX DMA channel 1: Enable RX DMA channel</p>	
0	txen	R/W	0	<p>TX DMA Channel Enable 0: Disable TX DMA channel 1: Enable TX DMA channel</p>	

12 Serial Peripheral Interface 0 (SPI0)

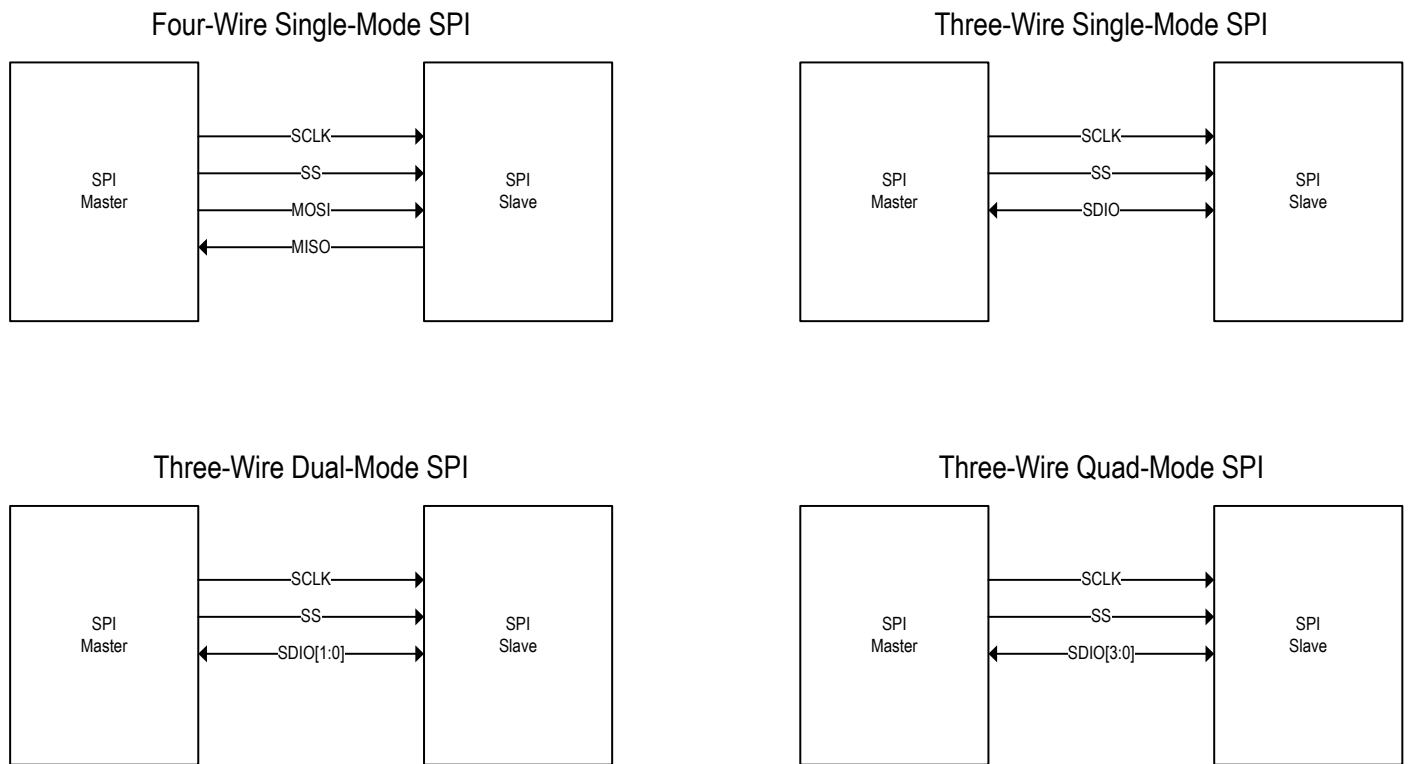
The Serial Peripheral Interface 0 (SPI0) is a highly configurable, synchronous communications peripheral that interfaces to SPI devices and supports both Master and Slave modes.

12.1 SPI Port 0

Features:

- Four SPI modes (mode 0, 1, 2, and 3)
- Master, Multi-Master, and Slave mode support
- Wake up from SLEEP based on configurable Transmit and Receive FIFO Levels
- One Slave Select (SS) control line with programmable polarity
- Programmable Serial Clock (SCLK) frequency and duty cycle
- 32-byte Transmit FIFO, 32-byte Receive FIFO

Figure 12-1: SPI Modes of Operation



Common SPI Signals (see [Figure 12-1, above](#)):

- SS = Slave Select (configurable as active low or active high)
 - ◆ SPI0 supports one Slave Select line
- SCLK = Serial Clock
- MOSI = Master Out Slave In
 - ◆ Serial data pin. When in SPI Master mode, this pin is a serial data output. When in SPI Slave mode, this pin is a serial data input.
 - ◆ In Three wire SPI mode this pin is used as a bi-direction Slave-In, Slave-Out (SISO) pin
- MISO = Master In Slave Out.
 - ◆ Serial data pin. When in SPI Master mode, this pin is a serial data input. When in SPI Slave mode, this pin is a serial data output.

The following SPI connection modes are supported:

- Three wire SPI: SS, SCLK, MOSI (SISO)
- Four wire SPI: SS, SCLK, MOSI, MISO

12.2 Configuration

Before configuring the SPI peripheral, first disable the SPI port by clearing the register bit [SPI0_CTRL0.spi_en](#).

With the SPI peripheral disabled, configure the SPI port for master mode ([SPI0_CTRL0.mm_en](#) = 1) or for slave mode ([SPI0_CTRL0.mm_en](#) = 0).

Next, configure communication specific parameters such as clock phase, width, number of bits per character, and signal polarity using the [SPI0_CTRL2](#) and [SPI0_SS_TIME](#) registers.

Clock scaling and duty cycle control are configured with [SPI0_CLK_CFG](#).

Interrupt events are configured using the [SPI0_INT_EN](#) register.

Wakeup events are configured using the [SPI0_WAKE_EN](#) register.

The DMA is configured using [SPI0_DMA](#).

If the SPI is configured in Master Mode, configure [SPI0_CTRL0](#) to set Master Mode parameters including the SS signals.

Enable the Transmit FIFO if transmitting data and the Receive FIFO

If transmitting data, load data to the transmit FIFO.

Set [SPI0_CTRL0.start](#) = 1 to begin a Master Mode transmission.

Do not modify the SPI timing registers while a SPI transaction is in progress. Modifying any SPI timing register while a SPI transfer is in progress will result in an invalid SPI communication transaction.

To prevent a stall condition when in Master Mode, ensure that the transmit FIFO does not empty until the entire transmission is complete.

12.2.1 FIFOs

The Transmit FIFO hardware is 32 bytes deep. The write data width can be 8-, 16- or 32-bits wide. A 16-bit write queues a 16-bit word to the FIFO hardware. A 32-bit write queues two 16-bit words to the FIFO hardware with the least significant word dequeued first. Bytes must be written to two consecutive byte addresses, with the odd byte as the most significant byte, and the even byte as the least significant byte. The FIFO logic waits for both the odd and even bytes to be written to this register space before dequeuing the 16-bit result to the FIFO.

The Receive FIFO hardware is 32 bytes deep. Read data width can be 8-, 16- or 32-bits. A byte read from this register dequeues one byte from the FIFO. A 16-bit read from this register dequeues two bytes from the FIFO, least significant byte first. A 32-bit read from this register dequeues four bytes from the FIFO, least significant byte first.

12.2.2 Interrupts and Wakeups

The SPI supports multiple interrupt sources. Interrupt source events can come from the FIFOs, the SS and SR signals, and SPI status. Status flags for each interrupt are set regardless of the state of the interrupt enable bit for that event. Each interrupt flag field is set once when the condition is satisfied and remains set until cleared by the application. Write 1 to clear a specific interrupt flag field.

The following FIFO interrupts are supported:

- Transmit FIFO Empty
- Transmit FIFO Level crossed. Level is set by firmware.
- Receive FIFO Full
- Receive FIFO Level crossed. Level is set by firmware.
- Transmit FIFO Underrun (Slave mode only, Master mode will stall the clock)
- Transmit FIFO Overrun
- Receive FIFO Underrun
- Receive FIFO Overrun (Slave Mode only, Master Mode will stall the clock)

The SPI supports interrupts for the internal state of the SPI as well as external signals. The following transmission interrupts are supported:

- SS Asserted or Deasserted
- Transmission Complete
- Slave Mode Transaction Aborted
- Multi-Master Fault

SPI0 has four Wakeup (WAKE) sources that can wake the ARM processor from SLEEP mode when the WAKE event occurs. The following WAKE events are supported:

- Wake on RX FIFO Full
- Wake on TX FIFO Empty
- Wake on RX FIFO Level crossed
- Wake on TX FIFO Level crossed

12.3 Timing Diagrams

The following waveform diagrams show SPI communications in each of the four SPI modes.

12.3.1 SPI Mode 0

Figure 12-2: SPI Mode 0, Four-Wire Communication

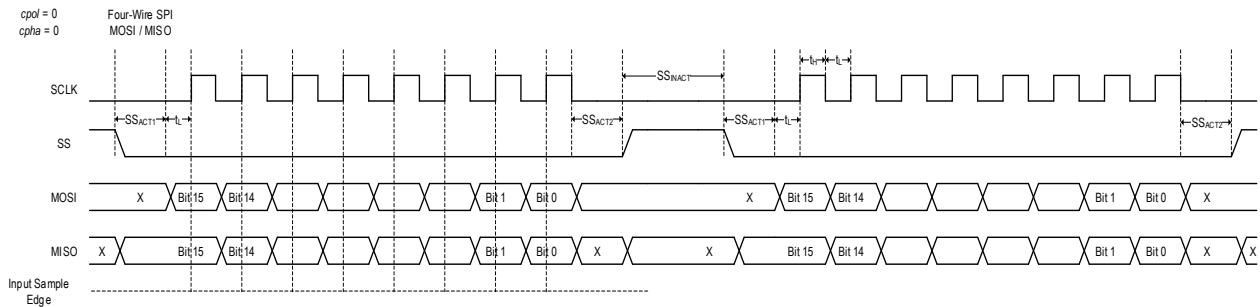
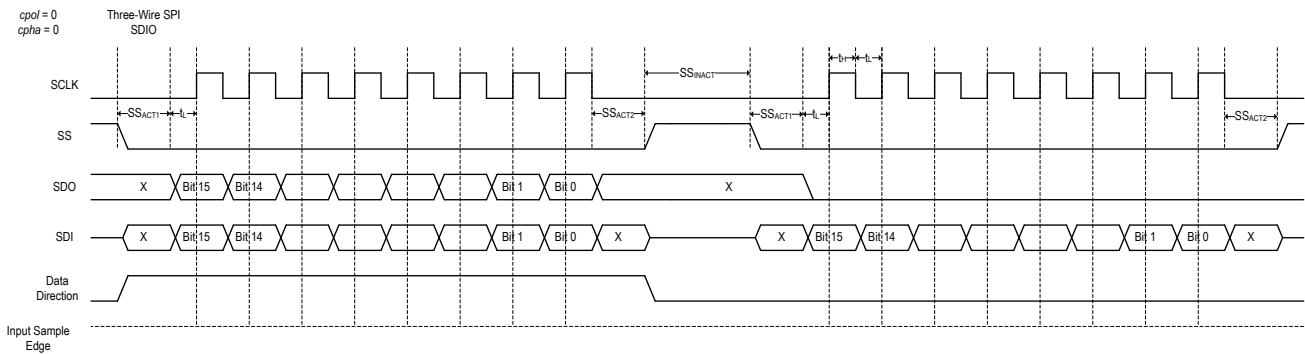


Figure 12-3: SPI Mode 0, Three-Wire Communication



12.3.2 SPI Mode 1

Figure 12-4: SPI Mode 1, Four-Wire Communication

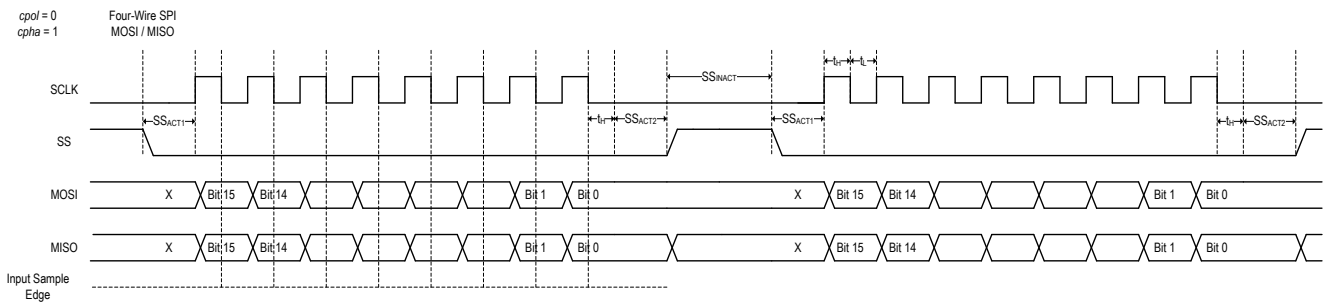
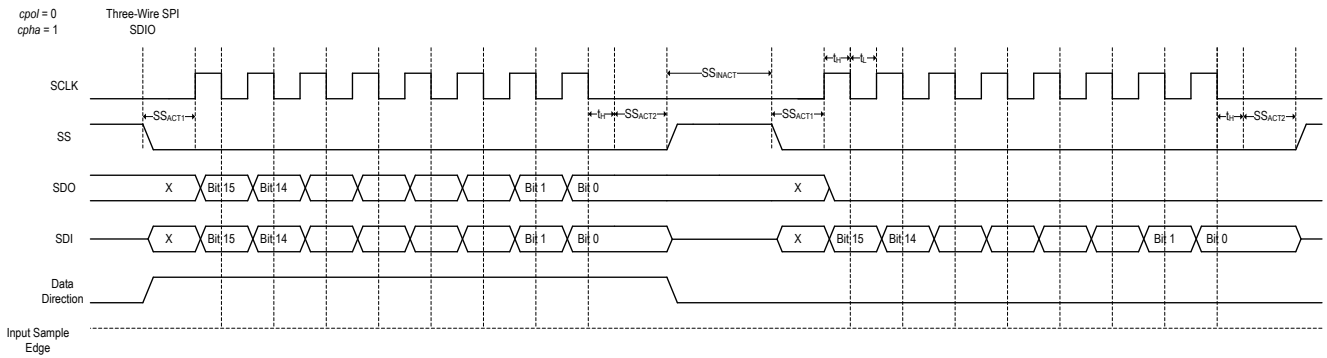


Figure 12-5: SPI Mode 1, Three-Wire Communication



12.3.3 SPI Mode 2

Figure 12-6: SPI Mode 2, Four-Wire Communication

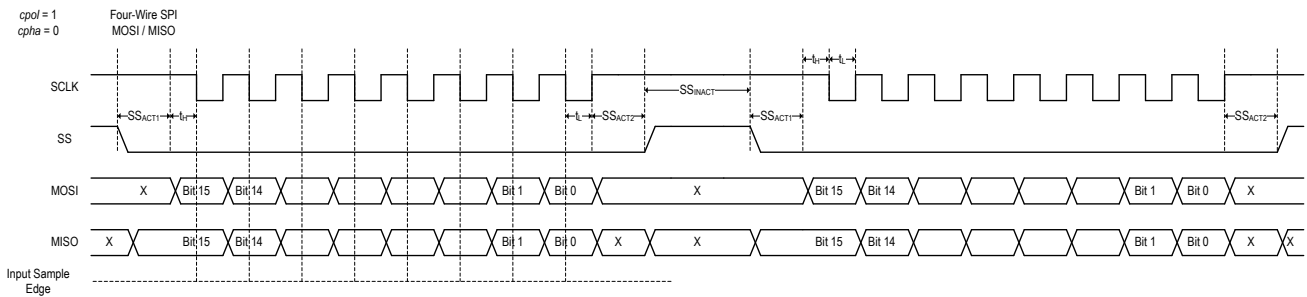
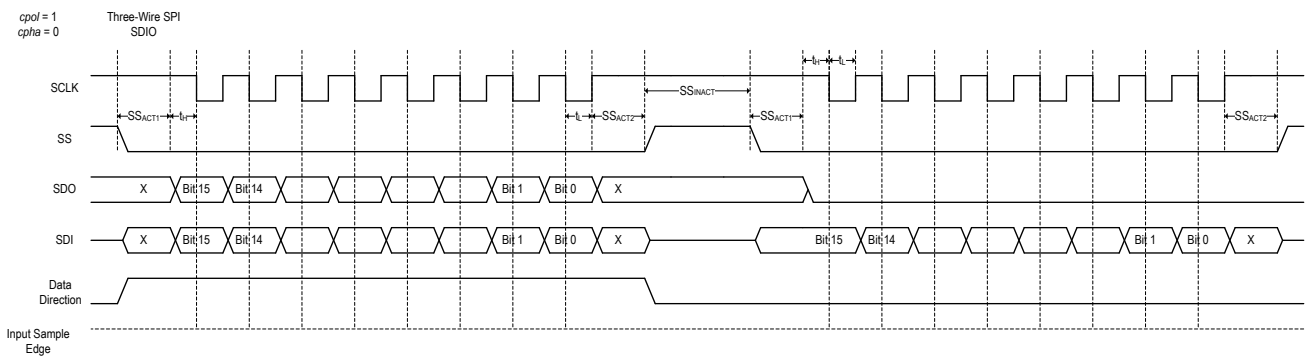


Figure 12-7: SPI Mode 2, Three-Wire Communication



12.3.4 SPI Mode 3

Figure 12-8: SPI Mode 3, Four-Wire Communication

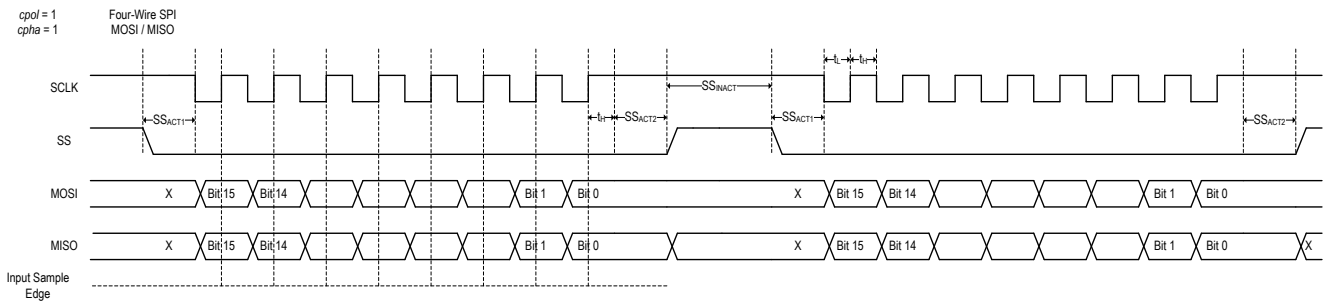
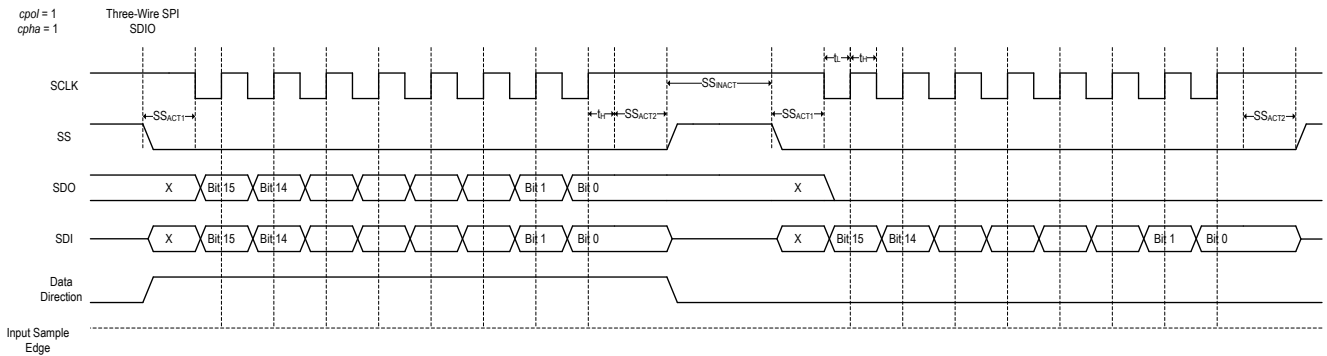


Figure 12-9: SPI Mode 3, Three-Wire Communication



12.4 SPI0 Registers

Refer to [Table 2-1: APB Peripheral Base Address Map](#) for the SPI0 (SPI0_) Base Peripheral Address.

Table 12-1: SPI0 Master Register Addresses and Descriptions

Offset	Register Name	Access	Description
[0x0000]	SPIn_DATA	R/W	SPI FIFO Data Register
[0x0004]	SPI0_CTRL0	R/W	SPI Master Signals Control Register
[0x0008]	SPI0_CTRL1	R/W	SPI Transmit Packet Size Register
[0x000C]	SPI0_CTRL2	R/W	SPI Static Configuration Register
[0x0010]	SPI0_SS_TIME	R/W	SPI Slave Select Timing Register
[0x0014]	SPI0_CLK_CFG	R/W	SPI Master Clock Configuration Register
[0x001C]	SPI0_DMA	R/W	SPI DMA Control Register
[0x0020]	SPI0_INT_FL	R/W10	SPI Interrupt Status Flags Register
[0x0024]	SPI0_INT_EN	R/W	SPI Interrupt Enable Register
[0x0028]	SPI0_WAKE_FL	R/W10	SPI Wakeup Status Flags Register
[0x002C]	SPI0_WAKE_EN	R/W	SPI Wakeup Enable Register
[0x0030]	SPI0_STAT	RO	SPI Active Status Register

Table 12-2: SPI FIFO Data Registers

SPIn FIFO Data Register				SPIO_DATA	[0x0000]
Bits	Name	Access	Reset	Description	
31:0	-	R/W	0	SPI FIFO Data Register Reads dequeue data off the receive FIFO. Writes queue data onto the transmit FIFO. Reads and writes with this register are in 1-byte, 2-byte, or 4-byte formats only.	

Table 12-3: SPI Master Signals Control Registers

SPI Master Signals Control Register				SPIO_CTRL0	[0x0004]
Bits	Name	Access	Reset	Description	
31:9	-	R/W	0	Reserved for Future Use Do not modify this field.	
8	ss_ctrl	R/W	0	Master Mode Slave Select Control In Master Mode operation, this bit controls the state of the slave select line at the end of a transmission. 0: Slave Select is deasserted at the end of a transmission 1: Slave Select stays asserted at the end of a transmission	
7:6	-	R/W	0	Reserved for Future Use Do not modify this field.	
5	start	R/WAC	0	Master Mode Start Data Transmission This bit is cleared by hardware. Writing a 0 is ignored. 0: Hardware automatically sets this field to 0 when the transaction has been initiated. 1: Master initiates a data transmission. Ensure that all pending transactions are complete before writing a 1. <i>Note: At least 1 byte must be loaded in the TX FIFO prior to setting this bit to 1.</i> <i>Note: This field is only used when the SPI is configured for Master Mode (SPIO_CTRL0.mm_en = 1).</i>	
4	ss_io		0	Master Mode Slave Select Signal Direction 0: Slave Select is an output 1: Slave Select is an input <i>Note: This field is only used when the SPI is configured for Master Mode (SPIO_CTRL0.mm_en = 1).</i>	
3:2	-	R/W	0	Reserved for Future Use Do not modify this field.	
1	mm_en	R/W	0	SPI Master Mode Enable This field selects between slave mode and master mode operation for the SPI port. Write this field to 0 to operate as an SPI slave. Setting this field to 1 sets the port as an SPI master. 0: SPI port is in Slave Mode. 1: SPI is in Master Mode	
0	spi_en	R/W	0	SPI Enable/Disable This field enables the SPI port instance. Setting this field disables the SPI port, but does not change the contents of the receive or transmit FIFOs or other SPI registers. 0: SPI port is disabled 1: SPI port is enabled	

Table 12-4: SPI Transmit Packet Size Register

SPI Transmit Packet Size Register				SPIO_CTRL1	[0x0008]
Bits	Name	Access	Reset	Description	
31:16	rx_num_char	R/W	0	Number of Receive Characters Number of characters to receive in RX FIFO. <i>Note: If the SPI port is set to operate in 4-wire mode, this field is ignored and the tx_num_chars field is used for both the number of characters to receive or transmit.</i>	
15:0	tx_num_char	R/W	0	Number of Transmit Characters Number of characters to transmit from TX FIFO. <i>Note: In 4-wire mode, this also applies to the RX FIFO.</i>	

Table 12-5: SPI Static Configuration Registers

SPI Static Configuration Register				SPIO_CTRL2	[0x000C]
Bits	Name	Access	Reset	Description	
31:17	-	R/W	0	Reserved for Future Use Do not modify this field.	
16	ss_pol	R/W	0	Slave Select Polarity Controls the polarity of the SPI0 SS signal 0: SS is active low 1: SS is active high	
15	three_wire	R/W	0	Three-Wire Mode Enable 0: Four-wire mode enabled. 1: Three-wire mode enabled (Single IO Mode only).	
14	-	R/W	0	Reserved for Future Use Do not modify this field.	
13:12	data_width	R/W	0	SPI Data Width Set this field to the required number of SDIO pins required. For Three-wire mode this field must be set to 0. Four-wire mode supports Single or Dual IO Mode. 0: 1-data pin (Single IO Mode) 1: 2-data pins (Dual IO Mode) 2: Reserved 3: Reserved	
11:8	num_bits	R/W	0x0	Number of Bits per Character 1-bit and 9-bit character lengths are not supported in Slave Mode	
7:2	-	R/W	0	Reserved for Future Use Do not modify this field.	
1	clk_pol	R/W	0	Clock Polarity Selects the SPI clock polarity. 0: Normal clock. Use when in SPI Mode 0 and Mode 1 1: Inverted clock. Use when in SPI Mode 2 and Mode 3	
0	clk pha	R/W	0	Clock Phase 0: Data sampled on clock rising edge. Use when in SPI Mode 0 and Mode 2 1: Data sampled on clock falling edge. Use when in SPI Mode 1 and Mode 3	

Table 12-6: SPI Slave Select Timing Register

SPI Slave Select Timing				SPIO_SS_TIME	[0x0010]
Bits	Name	Access	Reset	Description	
31:24	-	R/W	0	Reserved for Future Use Do not modify this field.	
23:16	ssinact	R/W	0	SS Inactive Clock Delay This is the time SS is inactive, and the bus is inactive between character transmission. It is the number of system clock cycles from the time a character is transmitted, and SS is inactive to the time SS is active and a new character is transmitted. 0: 256 1: 1 2: 2 3:3 254: 254 255: 255	
15:8	ssact2	R/W	0	Slave Select Active After Last SCLK Number of system clock cycles that SS is active from the last SCLK edge to when SS is inactive. 0: 256 1: 1 2: 2 3:3 254: 254 255: 255	
7:0	ssact1	R/W	0	Slave Select Active to First SCLK Number of system clock cycles between the time SS is asserted until the first SCLK edge. 0: 256 1: 1 2: 2 3:3 254: 254 255: 255	

Table 12-7: SPI Master Clock Configuration Registers

SPI Master Clock Configuration Register				SPIO_CLK_CFG	[0x0014]
Bits	Name	Access	Reset	Description	
31:20	-	R/W	0	Reserved for Future Use	

SPI Master Clock Configuration Register				SPIO_CLK_CFG	[0x0014]
Bits	Name	Access	Reset	Description	
19:16	scale	R/W	0	<p>System Clock to SPI Clock Scale Factor Scales the Peripheral Clock (PCLK) by 2^{scale} to generate the SPI module clock.</p> $f_{SPI_CLK} = \frac{f_{PCLK}}{2^{scale}}$ <p>0x0 - 0x8: Scales the system clock by the set value to generate the internal SPI clock 0x9 - 0xF: Invalid</p> <p><i>Note: The microcontroller System Clock is scaled by scale to generate the internal SPI clock. The external SPI clock, SCLK, is generated by setting the low cycle time, low, and the high cycle time, hi.</i></p> <p><i>Note: If scale=0, hi=0, and low=0, character sizes of 2 and 10 bits are not supported.</i></p>	
15:8	hi	R/W	0x00	<p>SCLK Hi Clock Cycles Control 0x0: Hi duty cycle control disabled. Only valid if scale = 0. 0x1 – 0xF: Number of internal SPI clocks that SCLK is high.</p> <p><i>Note: If scale=0, hi=0, and low=0, character sizes of 2 and 10 bits are not supported.</i></p>	
7:0	lo	R/W	0x00	<p>SCLK Low Clock Cycles Control 0x0: Low duty cycle control disabled. Only valid if <i>SPIO_CLK_CFG.scale</i> = 0. 0x1 – 0xF: Number of internal SPI clocks that SCLK is low</p> <p><i>Note: If SPIO_CLK_CFG.scale=0, SPIO_CLK_CFG.hi=0, and SPIO_CLK_CFG.low=0, character sizes of 2 and 10 bits are not supported.</i></p>	

Table 12-8: SPI DMA Control Registers

SPI DMA Control Register				SPIO_DMA	[0x001C]
Bits	Name	Access	Reset	Description	
31	rx_dma_en	R/W	0	<p>RX DMA Enable 0: RX DMA is disabled. Any pending DMA requests are cleared 1: RX DMA is enabled</p>	
30	-	R/W	0	<p>Reserved for Future Use Do not modify this field.</p>	
29:24	rx_fifo_cnt	R	0	<p>Number of Bytes in the RX FIFO Read returns the number of bytes currently in the RX FIFO</p>	
23	rx_fifo_clear	W	-	<p>Clear the RX FIFO 1: Clear the RX FIFO and any pending RX FIFO flags in <i>SPIO_INT_FL</i>. This should be done when the RX FIFO is inactive. Writing a 0 has no effect.</p>	
22	rx_fifo_en	R/W	0	<p>RX FIFO Enabled 0: RX FIFO disabled 1: RX FIFO enabled</p>	
21	-	R/W	0	<p>Reserved for Future Use Do not modify this field.</p>	

SPI DMA Control Register			SPIO_DMA		[0x001C]
Bits	Name	Access	Reset	Description	
20:16	rx_fifo_level	R/W	0	RX FIFO Threshold Level When the RX FIFO contains more bytes than the value set in this field, a DMA request is triggered, and the <i>SPIO_INT_FL.rx_level</i> interrupt flag is set. Valid levels for this field are from 0x00 to 0x1E. 0x00: 1 byte in the RX FIFO generates a <i>SPIO_INT_FL.rx_level</i> interrupt flag. 0x01: 2 bytes in the RX FIFO generates an interrupt. ... n: n+1 bytes in the RX FIFO sets the <i>SPIO_INT_FL.rx_level</i> interrupt flag. ... 0x1E: Maximum allowed value for this field. 0x1F bytes in the RX FIFO set the <i>SPIO_INT_FL.rx_level</i> interrupt flag. 0x1F is not a valid value.	
15	tx_dma_en	R/W	0	TX DMA Enable 0: TX DMA is disabled. Any pending DMA requests are cleared 1: TX DMA is enabled	
14	-	R/W	0	Reserved for Future Use Do not modify this field.	
13:8	tx_fifo_cnt	R0	0	Number of Bytes in the TX FIFO Read returns the number of bytes currently in the TX FIFO	
7	tx_fifo_clear	W10	-	Clear the TX FIFO Set this field to flush the TX FIFO. Write 1 only. Write 0 is ignored. 0: TX FIFO flush not active. 1: Clear the TX FIFO and any pending TX FIFO flags in <i>SPIO_INT_FL</i> . This should be done when the TX FIFO is inactive. <i>Note: Writing 0 has no effect.</i>	
6	tx_fifo_en	R/W	0	TX FIFO Enabled Enable the TX FIFO by setting this field to 1. 0: TX FIFO disabled 1: TX FIFO enabled	
5	-	R/W	0	Reserved for Future Use Do not modify this field.	
4:0	tx_fifo_level	R/W	0x10	TX FIFO Threshold Level When the TX FIFO has fewer than the value set in this field, a DMA request is triggered, and the <i>SPIO_INT_FL.tx_level</i> interrupt flag is set.	

Table 12-9: SPI Interrupt Flag Registers

SPI Interrupt Flag Register			SPIO_INT_FL		[0x0020]
Bits	Name	Access	Reset	Description	
31:16	-	R/W1C	0	Reserved for Future Use Do not modify this field.	
15	rx_und	R/W1C	0	RX FIFO Underrun Flag Set when a read is attempted from an empty RX FIFO.	
14	rx_ovr	R/W1C	0	RX FIFO Overrun Flag Set if SPI is in Slave Mode, and a write to a full RX FIFO is attempted. If the SPI is in Master Mode, this bit is not set as the SPI stalls the clock until data is read from the RX FIFO.	

SPI Interrupt Flag Register			SPIO_INT_FL		[0x0020]
Bits	Name	Access	Reset	Description	
13	tx_und	R/W1C	0	TX FIFO Underrun Flag Set if SPI is in Slave Mode, and a read from empty TX FIFO is attempted. If SPIO is in Master Mode, this bit is not set as the SPI stalls the clock until data is written to the empty TX FIFO.	
12	tx_ovr	R/W1C	0	TX FIFO Overrun Flag Set when a write is attempted to a full TX FIFO.	
11	m_done	R/W1C	0	Master Data Transmission Done Flag Set if SPI is in Master Mode, and all transactions have completed.	
10	-	R/W	0	Reserved for Future Use Do not modify this field.	
9	abort	R/W1C	0	Slave Mode Transaction Abort Detected Flag Set if the SPI is in Slave Mode, and SS is deasserted before a complete character is received.	
8	fault	R/W1C	0	Multi-Master Fault Flag Set if the SPI is in Master Mode, Multi-Master Mode is enabled, and a Slave Select input is asserted. A collision also sets this flag.	
7:6	-	R/W	0	Reserved for Future Use Do not modify this field.	
5	ssd	R/W1C	0	Slave Select Deasserted Flag	
4	ssa	R/W1C	0	Slave Select Asserted Flag	
3	rx_full	R/W1C	0	RX FIFO Full Flag	
2	rx_level	R/W1C	0	RX FIFO Threshold Level Crossed Flag Set when the RX FIFO exceeds the value in <i>SPIO_DMA.rx_fifo_level</i> .	
1	tx_empty	R/W1C	1	TX FIFO Empty Flag	
0	tx_level	R/W1C	0	TX FIFO Threshold Level Crossed Flag Set when the TX FIFO is less than the value in <i>SPIO_DMA.tx_fifo_level</i> .	

Table 12-10: SPI Interrupt Enable Registers

SPI Interrupt Enable Register			SPIO_INT_EN		[0x0024]
Bits	Name	Access	Reset	Description	
31:16	-	R/W	0	Reserved for Future Use Do not modify this field.	
15	rx_und	R/W	0	RX FIFO Underrun Interrupt Enable 0: Interrupt is disabled 1: Interrupt is enabled	
14	rx_ovr	R/W	0	RX FIFO Overrun Interrupt Enable 0: Interrupt is disabled 1: Interrupt is enabled	
13	tx_und	R/W	0	TX FIFO Underrun Interrupt Enable 0: Interrupt is disabled 1: Interrupt is enabled	
12	tx_ovr	R/W	0	TX FIFO Overrun Interrupt Enable 0: Interrupt is disabled 1: Interrupt is enabled	

SPI Interrupt Enable Register			SPIO_INT_EN		[0x0024]
Bits	Name	Access	Reset	Description	
11	m_done	R/W	0	Master Data Transmission Done Interrupt Enable 0: Interrupt is disabled 1: Interrupt is enabled	
10	-	R/W	0	Reserved for Future Use Do not modify this field.	
9	abort	R/W	0	Slave Mode Abort Detected Interrupt Enable 0: Interrupt is disabled 1: Interrupt is enabled	
8	fault	R/W	0	Multi-Master Fault Interrupt Enable 0: Interrupt is disabled 1: Interrupt is enabled	
7:6	-	R/W	0	Reserved for Future Use Do not modify this field.	
5	ssd	R/W	0	Slave Select Deasserted Interrupt Enable 0: Interrupt is disabled 1: Interrupt is enabled	
4	ssa	R/W	0	Slave Select Asserted Interrupt Enable 0: Interrupt is disabled 1: Interrupt is enabled	
3	rx_full	R/W	0	RX FIFO Full Interrupt Enable 0: Interrupt is disabled 1: Interrupt is enabled	
2	rx_level	R/W		RX FIFO Threshold Level Crossed Interrupt Enable 0: Interrupt is disabled 1: Interrupt is enabled	
1	tx_empty	R/W	0	TX FIFO Empty Interrupt Enable 0: Interrupt is disabled 1: Interrupt is enabled	
0	tx_level	R/W	0	TX FIFO Threshold Level Crossed Interrupt Enable 0: Interrupt is disabled 1: Interrupt is enabled	

Table 12-11: SPI Wakeup Status Flags Registers

SPI Wakeup Status Flags			SPIO_WAKE_FL		[0x0028]
Bits	Name	Access	Reset	Description	
31:4	-	R/W	0	Reserved for Future Use Do not modify this field.	
3	rx_full	R/W1C	0	Wake on RX FIFO Full Flag 0: Wake condition has not occurred. 1: Wake condition occurred.	
2	rx_level	R/W1C	0	Wake on RX FIFO Threshold Level Crossed Flag 0: Wake condition has not occurred. 1: Wake condition occurred.	
1	tx_empty	R/W1C	0	Wake on TX FIFO Empty Flag 0: Wake condition has not occurred. 1: Wake condition occurred.	
0	tx_level	R/W1C	0	Wake on TX FIFO Threshold Level Crossed Flag 0: Wake condition has not occurred. 1: Wake condition occurred.	

Table 12-12: SPI Wakeup Enable Registers

SPI Wakeup Enable				SPIO_WAKE_EN	[0x002C]
Bits	Name	Access	Reset	Description	
31:4	-	R/W	0	Reserved for Future Use Do not modify this field.	
3	rx_full	R/W	0	Wake on RX FIFO Full Enable 0: Wake event is disabled 1: Wake event is enabled.	
2	rx_level	R/W	0	Wake on RX FIFO Threshold Level Crossed Enable 0: Wake event is disabled 1: Wake event is enabled.	
1	tx_empty	R/W	0	Wake on TX FIFO Empty Enable 0: Wake event is disabled 1: Wake event is enabled.	
0	tx_level	R/W	0	Wake on TX FIFO Threshold Level Crossed Enable 0: Wake event is disabled 1: Wake event is enabled.	

Table 12-13: SPI Status Registers

SPI Status Register				SPIO_STAT	[0x0030]
Bits	Name	Access	Reset	Description	
31:1	-	R/W	0	Reserved for Future Use Do not modify this field.	
0	busy	R	0	SPI Active Status 0: SPI is not active. In Master Mode, cleared when the last character is sent. In Slave Mode, cleared when SS is deasserted. 1: SPI is active. In Master Mode, set when transmit starts. In Slave Mode, set when SS is asserted.	

13 SPIMSS

13.1 Overview

The SPIMSS module provides an independent serial communication channel to communicate synchronously with peripheral devices in a multiple master or multiple slave system. The interface is a four-wire full-duplex serial bus that can be operated in either master mode or slave mode. SPI-compatible devices include EEPROMs, printer controllers and contactless smart card controllers.

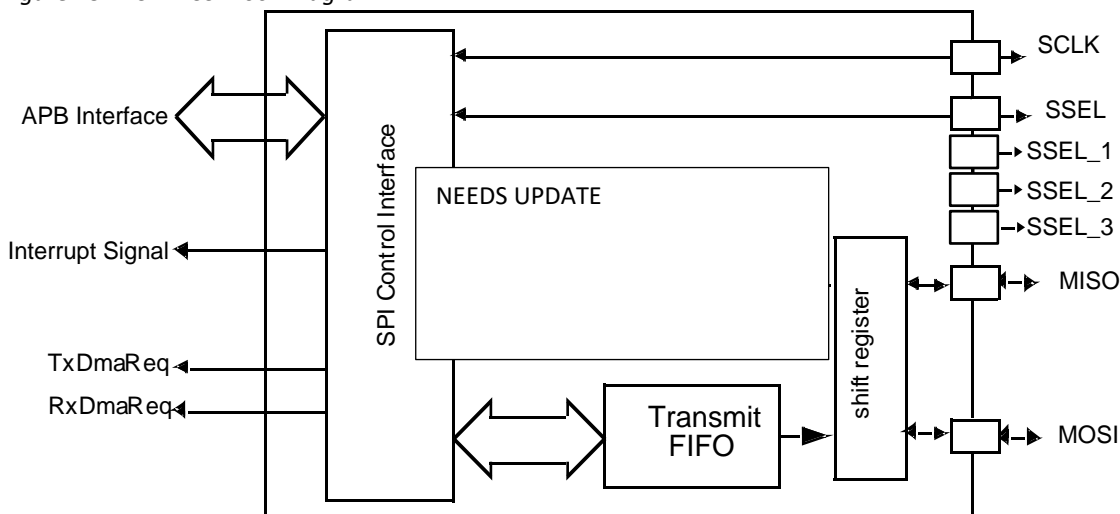
SPIMSS also supports Inter-IC Sound (I2S) protocol for 16-bit mono or stereo audio transfer to or from an external I2S audio codec.

13.1.1 Features

- Full-duplex, synchronous communication of 1 to 16-bit characters
- Four-wire interface
- Data transfers rates up to one-fourth the peripheral clock frequency (fPCLK)
- Master, multi-master and slave modes of operation
- Dedicated Bit Rate Generator
- 8 entry by 16-bit Transmit and Receive FIFOs
- Transmit and Receive DMA Support
- I2S mode
 - ◆ 16-bit audio transfer
 - ◆ I2S Master mode
 - ◆ I2S Slave mode
- 1 Slave Select Pin in Master Mode

The block diagram shows the SPIMSS external interface signals, control unit, receive and transmit FIFOs, and single shift register common to the transmit and receive data path. Each time that an SPIMSS transfer completes, the received character is transferred to the receive FIFO.

Figure 13-1. SPIMSS Block Diagram



The SPIMSS may be configured as either a SPI master (in single or multi-master systems) or a SPI slave. An SPI system has a single master and one or more slaves for any given transaction.

Figure 13-2. SPI Single-Master, Single-Slave

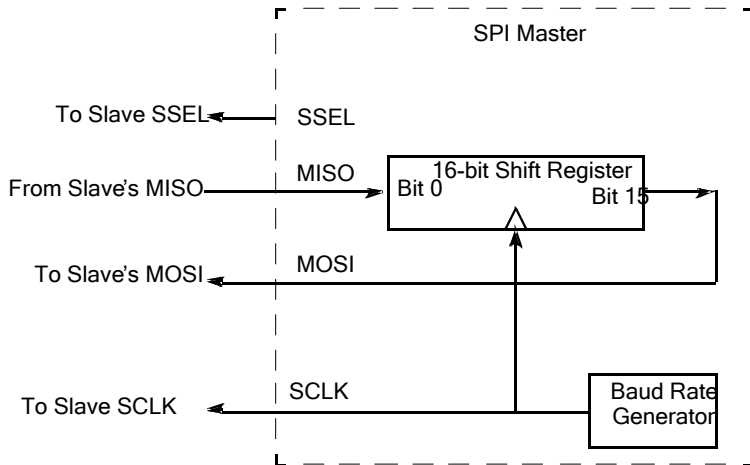


Figure 13-3. SPI Multi-Master, Multi-Slave

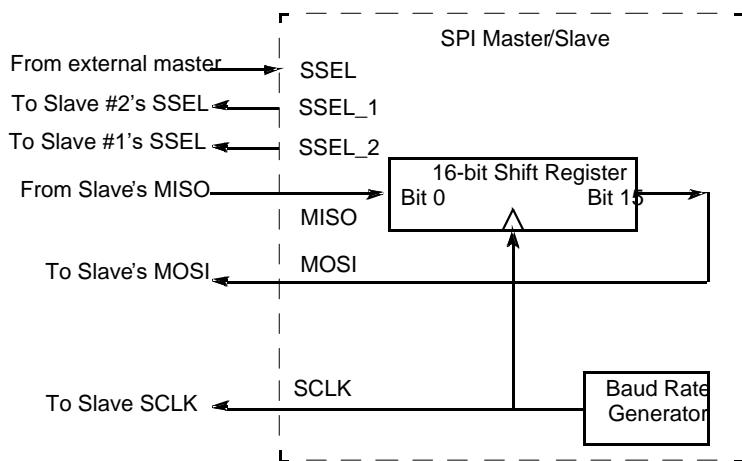
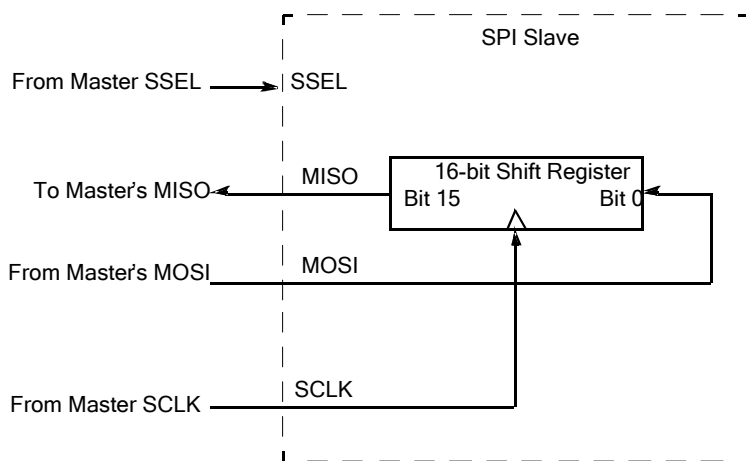


Figure 13-4. SPI Slave



13.2 Operation

The SPI is a full-duplex, synchronous, character-oriented channel that supports a four-wire interface (serial clock, transmit data, receive data and slave select). The SPI block consists of a transmit/receive shift register (supported by FIFOs), a Bit Rate Generator and a control unit.

During an SPI transfer, data is sent and received simultaneously by both master and slave devices. When an SPI transfer occurs, a multi-bit (selectable from 1 to 16-bit) character is shifted out on one data pin and a multi-bit character is simultaneously shifted in on a second data pin. A 16-bit shift register in the master and another 16-bit shift register in the slave are connected as a circular buffer with the most significant bit (bit15) sent first. The SPI contains two 8×16 FIFOs to support transmit and receive directions. New data is moved automatically from the transmit FIFO into the shift register at the start of every new SPI transfer as long as there is data in the transmit FIFO. At the end of every SPI transfer, data is moved from the shift register into the receive FIFO.

13.3 SPI Signals

The SPI signals are:

- MISO (Master-In, Slave-Out)
- MOSI (Master-Out, Slave-In)
- SCLK (SPI Serial Clock)
- SSEL (Slave Select)

These signals are pinned out through GPIO pins as alternate functions. Refer to the GPIO chapter for information on selecting the SPIMSS mode I/O. An external pull-up resistor should be used to prevent floating input signals when operating the SPI signals in open drain mode (refer to the *wor* bit) or high impedance mode (slave MISO is in high impedance mode when the slave is not selected).

13.3.1 Master-In, Slave-Out

The MISO pin is configured as an input in master mode and as an output in slave mode. It is one of two lines that transfer serial data, with the most significant bit sent first. The MISO pin of a slave device is placed in a high-impedance state if the slave is not selected. When the SPI channel is not active (*SPIMSSn_CTRL.start* = 0), this signal is in a high-impedance state.

13.3.2 Master-Out, Slave-In

The MOSI pin is configured as an output in master mode and as an input in slave mode. It is one of two lines that transfer serial data, with the most significant bit sent first. When the SPI channel is not enabled, this signal is in a high-impedance state.

13.3.3 Serial Clock

The Serial Clock (SCLK) synchronizes data movement in and out of the device through the MOSI and MISO pins. In master mode, the SPI's Bit Rate Generator creates SCLK. The master drives the serial clock out its SCLK pin to the slave's SCLK pin. When the SPI is configured as a slave, the SCLK pin is an input from the master. Slave devices ignore the SCLK signal, unless their SSEL pin is asserted. When configured as a slave, the minimum SCLK period is 8 times the peripheral clock (PCLK) period. For example, if the APB clock (PCLK) is running at 60 MHz in the slave SPI, the master SPI SCLK must be set at a maximum of 7 MHz.

The master and slave are each capable of exchanging a character of data during a sequence of *SPIMSSn_MOD.numbits* clock cycles (refer to *SPIMSSn_MOD.numbits* field). In both master and slave devices, data is shifted on one edge of the SCLK and is sampled on the opposite edge where data is stable. Edge polarity is determined by the SPI phase and polarity control.

13.3.4 Slave Select

The Slave Select (SSEL) signal is used to select a specific slave device during SPI transfers or to distinguish left and right channel audio data in I2S mode. In an SPI system with multiple slaves, the master must provide separate SSEL signals to each slave. SSEL must be low prior to all data communication to and from the slave device. SSEL must stay low for the full duration of each character transfer. The SSEL signal may stay low during the transfer of multiple characters or may de-assert between each character. Application code should not toggle the slave select between words. Though the SSEL signal typically is active low, either polarity can be supported via the *SPIMSSn_MODE.ssv* bit.

13.3.4.1 Single Master SPI System

When configured as the only master in an SPI system, the SSEL pin is configured as an output by setting *SPIMSSn_CTRL.ss_io* = 1. The polarity of SSEL is selected via the *SPIMSSn_MODE.ssv* bit. Other GPIO output pins must be employed to select additional SPI slave devices.

13.3.4.2 Multi-Master SPI System

When configured as one master in a multi-master SPI system, the SSEL pin is configured as an input by clearing *SPIMSSn_CTRL.ss_io* = 0. When acting as the master, the SSEL input signal should be high. If the SSEL input signal goes low (indicating another master is selecting this device as an SPI slave) the Collision error flag is set. The SPI block can be switched between master and slave modes when operating in a multi-master system via the *SPIMSSn_CTRL.mmen* bit.

13.3.4.3 Slave SPI System

When configured as a slave in an SPI system, the SSEL pin is configured as an input by clearing *SPIMSSn_CTRL.ss_io* = 0.

13.3.4.4 I²S System

In I2S mode the SSEL output is controlled by hardware and distinguishes left and right channel audio data. When operating as the I2S master, the SCLK and SSEL signals are outputs. When operating as the I2S slave, the SCLK and SSEL signals are inputs. This SSEL signal is referred to as word select signal (WS) in the I2S protocol. Normally the WS signal transitions one SCLK period before the MSB of the audio data word, however if the *SPIMSSn_I2S_CTRL.i2s_lj* bit is set, the audio data word is “left justified” to be in phase with the WS signal.

13.4 SPI Clock Phase and Polarity Control

The SPI supports four combinations of SCLK phase and polarity. Clock Polarity (*SPIMSSn_CTRL.clkpol*) selects an active low/high clock and has no effect on the transfer format. Clock Phase (*SPIMSSn_CTRL.phase*) selects one of two fundamentally different transfer formats.

For proper data transmission, the clock phase and polarity must be identical for the SPI master and slave. The master always places data on the MOSI line a half-cycle before the SCLK edge for the slave to latch the data.

Table 13-1. Clock Phase and Polarity Operation

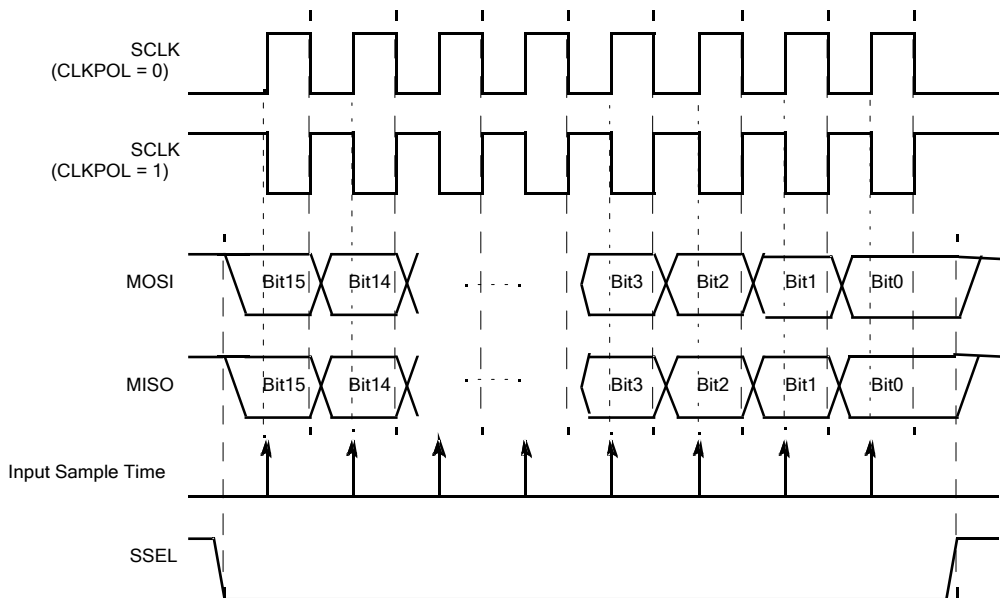
SPIMSSn_CTRL phase	SPIMSSn_CTRL clkpol	SCLK Transmit Edge	SCLK Receive Edge	SCLK Idle State
0	0	Falling	Rising	Low
0	1	Rising	Falling	High
1	0	Rising	Falling	Low
1	1	Falling	Rising	High

13.4.1 Transfer Format for Phase 0

Figure 13-5 is the timing diagram for an SPI 16-bit transfer in which the clock phase is cleared (*SPIMSSn_CTRL.phase = 0*). The two SCLK waveforms show active low (*SPIMSSn_CTRL.clkpol = 0*) and active high (*SPIMSSn_CTRL.clkpol = 1*). The diagram may be interpreted as either a master or slave timing diagram since the SCLK, MISO and MOSI pins are directly connected between the master and the slave.

In the case of multi-character transfers with SSEL remaining asserted between characters, the output data will change at the end of the Bit0 (final clock edge) to reflect the output value for Bit15 of the next character.

When the phase is set to 0, the data must be available on the MISO and MOSI lines prior to the first clock edge and data transition is performed during the SCLK's idle state as shown in Figure 13-5.

Figure 13-5. SPI Timing for Phase 0 (*SPIMSSn_CTRL.phase = 0*)


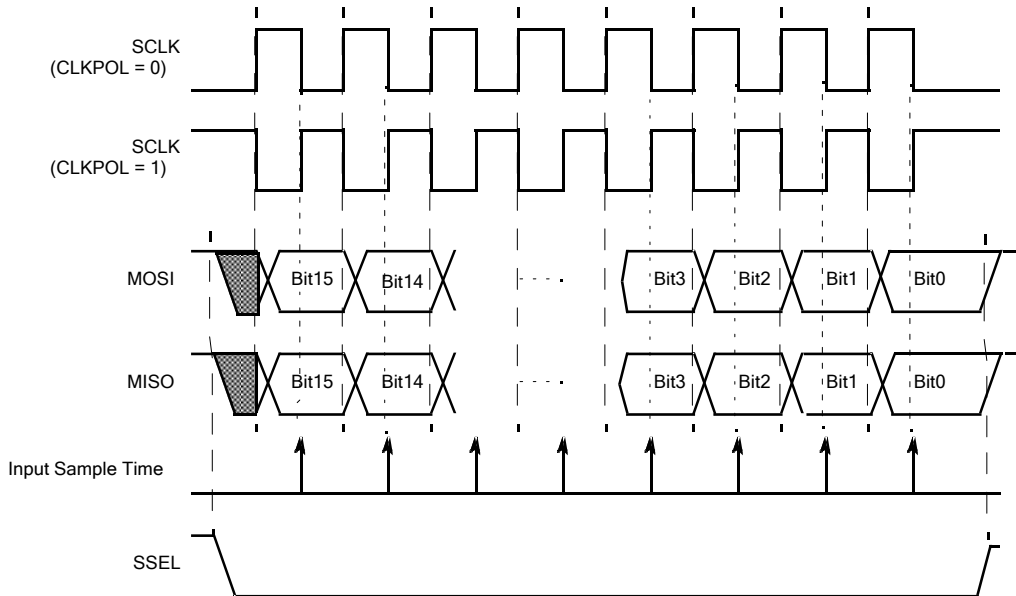
13.4.2 Transfer Format for Phase 1

Figure 13-6 is the timing diagram for an SPI transfer in which the clock phase is set (*SPIMSSn_CTRL.phase = 1*). The two SCLK waveforms show active low (*SPIMSSn_CTRL.clkpol = 0*) and active high (*SPIMSSn_CTRL.clkpol = 1*). The diagram may be interpreted as either a master or slave timing diagram since the SCLK, MISO and MOSI pins are directly connected between the master and the slave.

In the case of multi-character transfers with SSEL remaining asserted between characters, the Bit0 output data will remain stable until the clock edge which starts Bit15 of the next character or until SSEL deasserts at the end of the transfer.

When the phase is set to 1, SCLK's first transition is used to trigger the data transition on MISO and MOSI and subsequent data transitions are triggered on SCLK's active transition and the data is read on SCLK's second transition as shown [Figure 13-6](#).

Figure 13-6. SPI Timing for Phase 1 (*SPIMSSn_CTRL.phase = 1*)



13.5 Data Movement

Data movement can be controlled in one of the following ways:

- Software polling the *SPIMSSn_INT_FL.txst* bit (transfer one word at a time) or polling the *SPIMSSn_INT_FL.tx_fifo_level* or *SPIMSSn_INT_FL.rx_fifo_level* fields (can transfer up to 8 characters at a time).
- The *SPIMSSn_CTRL.irqe* bit can be set to enable data and error interrupts. The *SPIMSSn_CTRL.str* bit may be used if desired to force a “startup” data interrupt. A data interrupt will be generated on completion of each character transfer.
- DMA control of data transferred is enabled via the *SPIMSSn_DMA.rx_dma_en* and/or *SPIMSSn_DMA.tx_dma_en* bits. The *SPIMSSn_DMA.tx_fifo_level* and *SPIMSSn_DMA.rx_fifo_level* control when DMA requests are asserted. When DMA mode is enabled, data interrupts are disabled (error interrupts will still occur). DMA operation is beneficial for block transfers as the CPU only needs to service one DMA interrupt per block of data versus one interrupt for each character transferred in non-DMA mode.

The *SPIMSSn_DATA* Register is used for transferring data for both transmit and receive operations.

For incoming data, the receive data is shifted into an internal shift register. Once a full character has been shifted in, the character is automatically moved into the Receive FIFO. The Receive FIFO data is read through the *SPIMSSn_DATA* Register.

For outgoing data, the transmit data is written to the `SPIMSSn_DATA` Register and transferred by hardware to the SPIMSS Transmit FIFO. When the shift register is empty, data is automatically moved into the shift register from the Transmit FIFO.

Note: When the SPIMSS is not actively transmitting or receiving data (`SPIMSSn_CTRL.start = 0`), data written to the SPIMSS Data Register is stored in the FIFO as long as it is not full. Any data in the FIFO when the SPIMSS start is set to 1 is transmitted immediately. Flush the FIFO at any time by setting the `SPIMSSn_DMA.tx_fifo_clr` bit to 1.

With the SPI configured as a master, writing data to this register initiates the data transmission. With the SPI configured as a slave, writing data to this register loads the shift register in preparation for the next data transfer with the external master. In either the master or slave mode, when the transmit FIFO is full, writes to this register are ignored and the Transmit Overrun error flag, `SPIMSSn_INT_FL.tovr`, is set in the SPIMSS Interrupt register.

Data is shifted out starting with bit 15. The last bit received will reside in bit position 0. When the character length is less than 16 bits (as set by the `SPIMSSn_MOD.numbits` field), the transmit character must be left justified in the SPIMSS Data Register (`SPIMSSn_DATA`). A received character of less than 16 bits will be right justified (last bit received will be in bit position 0). For example, if the SPIMSS is configured for 4-bit characters, the transmit characters must be written to `SPIMSSn_DATA[15:12]` and the received characters are read from `SPIMSSn_DATA[3:0]`.

The software overhead to left justify the transmit data can be eliminated by setting the `SPIMSSn_MODE.tx_lj` bit in the `SPIMSSn_MODE` register. When `SPIMSSn_MODE.tx_lj = 1`, transmit data is always written by software or DMA to `SPIMSSn_DATA` in right justified form and hardware performs the left justify according to `SPIMSSn_MODE.numbits` when the shift register is loaded. For the 4-bit character example, when `SPIMSSn_MODE.tx_lj = 1`, transmit data is written to `SPIMSSn_DATA[3:0]` and hardware shifts these to bits [15:12] when the shift register is loaded. The `SPIMSSn_MODE.tx_lj` bit has no effect on receive data which is always right justified.

13.6 Configuration for Master, Slave and Multi-Master Modes

13.6.1 Single Master Operation

Configure the SPIMSS as a Single SPI Master by performing the following steps:

1. Enable SPI master mode by setting `SPIMSSn_CTRL.mode` to 1.
2. Set the SPIMSS outputs to open drain by setting `SPIMSSn_CTRL.od_out_en = 0`
3. `SPIMSSn_CTRL.start = 1`
4. `SPIMSSn_CTRL.od_out_en = 0`
5. `SPIMSSn_CTRL.ss_io = 1`

The `SPIMSSn_CTRL.phase` and `SPIMSSn_CTRL.clkpol` bits and the `SPIMSSn_MODE.numbits` field must be consistent with the slave SPI devices. The `SPIMSSn_MODE.ssv` bit asserts/deasserts the SSEL output pin, SPI1_SS0. The SPI Bit Rate register must be initialized.

13.6.2 Multi-Master Operation

The SPI block is configured for master/slave operation in a multi-master SPI configuration by setting:

- *SPIMSSn_CTRL.mmen* = 1 or 0
 - ◆ Software controls the master/slave mode dynamically via some bus arbitration algorithm to allow multiple masters to communicate to slave and master/slave devices.
- *SPIMSSn_CTRL.ss_io* = 0
- *SPIMSSn_CTRL.od_out_en* = 1
 - ◆ Open-drain mode must be enabled to prevent bus contention since all SCLK, MOSI and MISO pins are tied together on the external SPI bus.
- *SPIMSSn_CTRL.start* = 1

At any time, only one SPI device can be configured as the master and all other SPI devices on the bus must be configured as slaves. The master selects a single slave by asserting the Slave Select pin to that slave only. Then the master drives data out using SCLK and MOSI pins to each of the slaves' SCLK and MOSI pins (including those which are not selected). The selected slave drives data out its MISO pin to the master's MISO pin. When configured as a master operating in a multi-master system, if the SSEL pin is configured as an input and is driven low by another master, a multi-master collision fault is signaled by *SPIMSSn_INT_FL.col* = 1.

13.7 Slave Operation

The SPI block is configured for slave mode operation by setting:

- *SPIMSSn_CTRL.start* = 1
- *SPIMSSn_CTRL.mode* = 0
- *SPIMSSn_CTRL.ss_io* = 0
- *SPIMSSn_CTRL.od_out_en* = 0

The *SPIMSSn_CTRL.phase* and *SPIMSSn_CTRL.clkpol* bits and the *SPIMSSn_MODE.numbits* field must be set to be consistent with the other SPI devices. The *SPIMSSn_CTRL.str* bit may be used, if desired, to force a start interrupt. The *SPIMSSn_CTRL.birq* bit and the *SPIMSSn_CTRL.bss* bit are not used in slave mode. The SPI bit rate generator is not used in slave mode, so the Mode Register, *SPIMSSn_MODE*, need not be initialized.

If the slave has data to send to the master, the data should be written before the transaction starts (first edge of SCLK when SSEL is asserted). If the *SPIMSSn_DATA* Register is not written prior to the slave transaction (the Transmit FIFO is empty), the MISO pin will output whatever value was written last into the *SPIMSSn_DATA* Register.

Due to the delay resulting from synchronization of the SPI input signals to PCLK, the maximum SCLK bit rate that can be supported in slave mode is the PCLK frequency divided by 8. This rate is controlled by the SPI master.

13.8 I²S (Inter-IC Sound) Mode

The SPI block is configured for I²S mode operation by setting:

- *SPIMSSn_I2S_CTRL.i2s_en* = 1
- *SPIMSSn_CTRL.phase* = 0
- *SPIMSSn_CTRL.clkpol* = 0
- *SPIMSSn_MODE.numbits* = 0 (to select 16-bit characters)
- *SPIMSSn_CTRL.start* = 1

The *SPIMSSn_CTRL.mmen* and *SPIMSSn_CTRL.ss_io* bits are set in accordance with either master or slave mode of operation. The *SPIMSSn_MODE.ssv* bit is ignored by hardware in I2S mode. In I2S, the master hardware sources SSEL (known as word select (WS) in the I²S protocol) and SCLK. In this mode SSEL toggles between consecutive audio words. SSEL=0 indicates left channel data and SSEL=1 indicates right channel audio data.

The receive and/or transmit DMA channels must be enabled when operating in I2S mode. Typically, audio data will only flow in one direction as defined by the *SPIMSSn_DMA.rx_dma_en* or *SPIMSSn_DMA.tx_dma_en* bits, however audio data may be transferred in both directions simultaneously if desired. Data in the transmit buffer should be initialized with the first 16-bit character containing a left channel audio sample, then alternating right and left channel 16-bit audio samples. When audio data is being received, the first sample written into the receive buffer will be a left channel audio sample.

13.8.1 Mute

The *SPIMSSn_I2S_CTRL.i2s_mute* bit in the I2S Control Register can be set by software asynchronously to the DMA transfers to silence the transmit output. At the beginning of the next left channel audio sample after *SPIMSSn_I2S_CTRL.i2s_mute* is asserted, DMA and FIFO accesses will continue, however, the data read from the transmit FIFO will be discarded and replaced with zeroes. When *SPIMSSn_I2S_CTRL.i2s_mute* is deasserted, the transmit output will resume at the beginning of the next left channel audio sample.

13.8.2 Pause

The *SPIMSSn_I2S_CTRL.i2s_pause* bit can be set by software asynchronously to the DMA transfers to halt DMA and FIFO accesses. At the beginning of the next left channel audio sample after *SPIMSSn_I2S_CTRL.i2s_pause* is asserted, both transmit and receive DMA and FIFO accesses will halt and the transmit data will be forced to zero. At the beginning of the next left channel audio sample after *SPIMSSn_I2S_CTRL.i2s_pause* is deasserted, the DMA accesses will resume from where they were halted. Pause takes precedence over mute.

13.8.3 Mono

The *SPIMSSn_I2S_CTRL.i2s_mono* bit in the I2S Control Register is set to select single channel audio data vs. stereo format. In mono mode each transmit data word read from the transmit FIFO is duplicated for both left and right channel output words. The receive channel will read the data from the left channel (SSEL = 0) and ignore data in the right channel. This allows DMA buffers for mono mode to be one-half the size of DMA buffers for stereo mode.

13.8.4 Left Justify

The *SPIMSSn_I2S_CTRL.i2s_lj* bit selects the phase of the SSEL signal versus the data. When *SPIMSSn_I2S_CTRL.i2s_lj* = 0 (normal I2S mode), the audio data lags the SSEL signal by one SCLK period. When *SPIMSSn_I2S_CTRL.i2s_lj* = 1, the audio data is “left justified” so that it is in sync with the SSEL signal.

Figure 13-7: I2S Mode ($i2s_en=1$, $i2s_lj=0$)

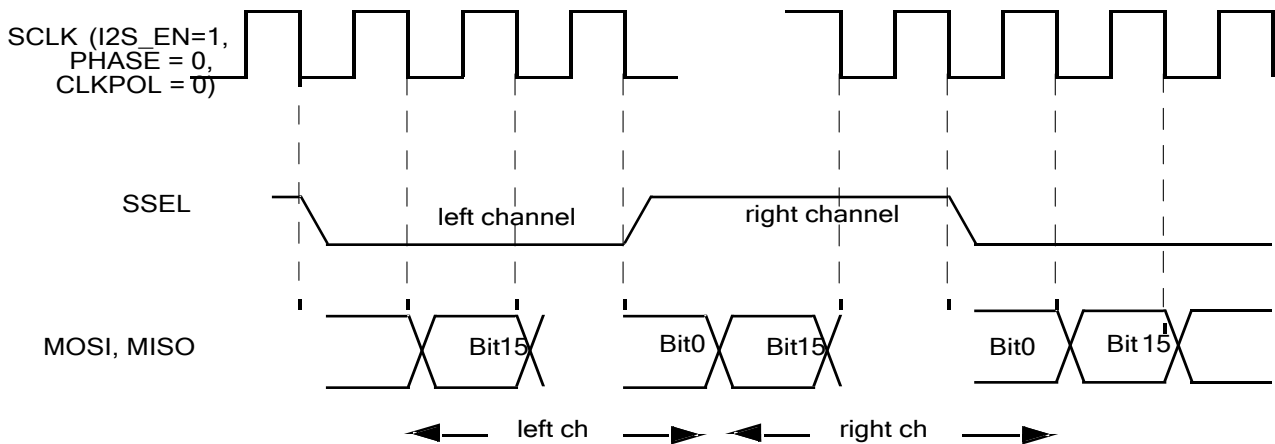
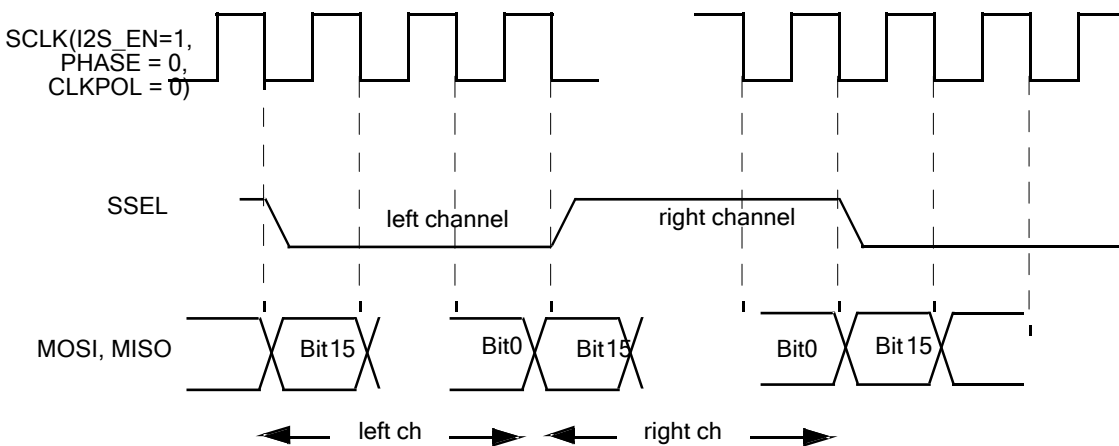


Figure 13-8: I2S Mode ($i2s_en=1$, $i2s_lj=1$)



13.9 Error Detection

The SPI contains error detection logic to support SPI communication protocols and recognize when communication errors have occurred. If the IRQE bit is set, error conditions will generate an interrupt. The SPIMSS Interrupt Flag Register, [SPIMSSn_INT_FL](#), indicates which error has been detected.

13.9.1 Transmit Overrun

A transmit overrun error indicates a write to the FIFO was attempted when the internal transmit FIFO was full in either master or slave mode. An overrun condition sets the [SPIMSSn_INT_FL.tovr](#) bit to 1. Writing a 1 to [SPIMSSn_INT_FL.tovr](#) clears this error flag.

Note: A transmit FIFO overrun in I2S mode may result in mixing left and right channel data. Software should reinitialize the DMA channel and data buffer and restart the I2S transfer.

13.9.2 Mode Fault (Multi-Master Collision)

A mode fault indicates more than one master is trying to communicate at the same time (a multi-master collision). The mode fault is detected when an enabled master's SSEL input pin is asserted low. A mode fault sets the `SPIMSSn_INT_FL.col` bit to 1. Writing a 1 to `SPIMSSn_INT_FL.col` clears this error flag.

This error interrupt will not occur in I2S mode.

13.9.3 Slave Mode Abort

A slave mode abort indicates that the SSEL pin deasserted before all bits in a character were transferred (while operating in slave mode). The next time SSEL asserts, the MISO pin will output `SPIMSSn_DATA[15]`, regardless of where the previous transaction left off. A slave mode abort sets the `SPIMSSn_INT_FL.abt` bit to 1. Writing a 1 to `SPIMSSn_INT_FL.abt` clears this error flag.

This error interrupt will not occur in I2S mode.

13.9.4 Receive Overrun

A receive overrun error indicates a write to the receive FIFO occurred when the internal receive FIFO was full (in either master or slave mode). An overrun condition sets the `SPIMSSn_INT_FL.rovr` to 1. Writing a 1 to `SPIMSSn_INT_FL.rovr` bit clears this error flag.

A receive FIFO overrun in I2S mode may result in mixing left and right channel data. Software should reinitialize the DMA channel and data buffer and restart the I2S transfer.

13.10 SPI Interrupts

When the SPI interrupt is enabled (`SPIMSSn_CTRL irqe` bit = 1, the SPIMSS generates an interrupt when one of the following interrupt conditions occur. The interrupt condition is indicated by the `SPIMSSn_INT_FL irq` bit in the SPIMSS Interrupt Flag Register. Writing a 1 to the `SPIMSSn_INT_FL irq` bit clears the pending SPI interrupt request.

13.10.1 Data Interrupt

A data interrupt occurs when the transmit character has been fully moved out of the shift register AND the Transmit FIFO is empty (in either master or slave mode). Since transmit and receive are always interlocked, there is no need for a separate receive interrupt. If either transmit or receive DMA is enabled via the `SPIMSSn_DMA.rx_dma_en` and `SPIMSSn_DMA.tx_dma_en` bits, the data interrupt will not occur, however error interrupts are still enabled when using DMA. A data interrupt is indicated by `SPIMSSn_INT_FL irq = 1` and no error interrupt bits set.

13.10.2 Forced Interrupt

To start the data transfer process, an SPI interrupt may be forced by software by writing a 1 to the `SPIMSSn_CTRL.str` bit in the SPI Control Register.

13.10.3 Error Condition Interrupt

If any of the SPI error conditions occurs as described in the *previous* section, the corresponding error bit and the IRQ bit are set in the SPIMSS Interrupt register and the SPI interrupt is asserted. The error status bits and the IRQ bit should be cleared at the same time by writing a 1 to those bits.

13.10.4 Bit Rate Generator Time-out Interrupt

If the SPI is disabled, an SPI interrupt can be generated by a Bit Rate Generator time-out. This timer function must be enabled by setting the `SPIMSSn_CTRL.birq` bit in the SPI Control Register.

13.11 SPI Bit Rate Generator

13.11.1 Slave Mode

The Bit Rate Generator is not used in SPI slave mode. When configured as a slave, the minimum SCLK period is 8 times the PCLK period.

13.11.2 Master Mode

In SPI master mode, the Bit Rate Generator creates a lower frequency serial clock (SCLK) for data transmission synchronization between the master and the external slave. The input to the Bit Rate Generator is the PCLK. The SPI Bit Rate register is a 16-bit reload value, `SPIMSSn_BRG`, for the SPI Bit Rate Generator. The reload value, `SPIMSSn_BRG.div` must be greater than or equal to 0x02 for SPI operation (maximum bit rate is f_{PCLK} frequency divided by 4). The SPI bit rate is calculated using the following equation (for the special case $div = 0x0000$ substitute 2^{16} for div in the equation):

Equation 13-1: SPIMSS Bit Rate Equation

$$SPI \text{ Bit Rate (bits/sec)} = \left(\frac{f_{PCLK}}{2 \times SPI_BRG.div} \right)$$

13.11.3 Timer Mode

When the SPI is disabled, the Bit Rate Generator can function as a continuous mode 16-bit timer with interrupt on time-out. To configure the Bit Rate Generator as a timer with interrupt on time-out, complete the following procedure:

1. Set `SPIMSSn_CTRL.start = 0` to stop any SPIMSS activity.
2. Disable the transmit and receive FIFOs
 - a. `SPIMSSn_DMA.tx_fifo_en = 0`
 - b. `SPIMSSn_DMA.rx_fifo_en = 0`
3. Disable DMA mode
 - c. `SPIMSSn_DMA.tx_dma_en = 0`
 - d. `SPIMSSn_DMA.rx_dma_en = 0`
4. Load the desired 16-bit divisor into the SPIMSS Bit Rate Generation Register, `SPIMSSn_BRG.div`.
5. Set `SPIMSSn_CTRL.birq = 1` to enable the bit rate generator
6. Enable the SPIMSS peripheral by setting `SPIMSSn_CTRL.start = 1`

13.12 SPIMSS Registers

Refer to [Table 2-1: APB Peripheral Base Address Map](#) for the SPIMSS (SPIMSS_) Base Peripheral Address.

Table 13-2: SPIMSS Register Offsets, Access and Descriptions

Offset	Register Name	Access	Description
[0x0000]	<code>SPIMSSn_DATA</code>	R/W	SPIMSS Data Register
[0x0004]	<code>SPIMSSn_CTRL</code>	R/W	SPIMSS Control Register

Offset	Register Name	Access	Description
[0x0008]	SPIMSSn_INT_FL	R/W	SPIMSS Interrupt Flag Register
[0x000C]	SPIMSSn_MODE	R/W	SPIMSS Mode Register
[0x0014]	SPIMSSn_BRG	R/W	SPIMSS Bit Rate Register
[0x0018]	SPIMSSn_DMA	R/W	SPIMSS DMA Register
[0x001C]	SPIMSSn_I2S_CTRL	R/W	SPIMSS I2S Control Register

13.13 SPIMSS Register Details

Table 13-3. SPIMSS Data Register

SPIMSS Data Register			SPIMSSn_DATA		[0x0000]
Bits	Name	Access	Reset	Description	
31:16	-	R/W	0	Reserved for Future Use Do not modify this field.	
15:0	data	R/W	0	SPIMSS Data Refer to the Data Movement section for details.	

Table 13-4: SPIMSS Control Register

SPIMSSn Control Register			SPIMSSn_CTRL		[0x0004]
Bits	Name	Access	Reset	Description	
31:8	-	R/W	0	Reserved for Future Use Do not modify this field.	
7	irqe	R/W	0	Interrupt Request Enable Set to enable interrupts for the SPIMSS peripheral. 0: SPI interrupts are disabled. 1: SPI interrupts are enabled. Interrupt requests are sent to the Interrupt Controller <i>Note that if transmit or receive DMA is enabled, the transmit data complete interrupt is disabled, but other interrupt sources are enabled.</i>	
6	str	R/W	0	Start SPI Interrupt Setting this bit starts a SPIMSS interrupt request. Setting this bit also sets SPIMSSn_INT_FL.irq to 1. Setting this bit forces the SPIMSS to send an interrupt request to the Interrupt Controller if SPIMSSn_CTRL.irqe = 1. This bit is cleared by writing a 0 to this bit or by writing a 1 to the IRQ bit in the SPIMSSn_INT_FL .	
5	birq	R/W	0	Bit Rate Generator Timer Interrupt Request Enable or disable the Bit Rate Generator if the SPIMSS is enabled (SPIMSSn_CTRL = 1). 0: Clearing this bit disables the Bit Rate Generation timer function. 1: Setting this bit to 1 enables the Bit Rate Generation timer function and enables the time-out interrupt. <i>Note: If SPIMSSn_CTRL.start = 1, this bit has no effect.</i>	
4	phase	R/W	0	Phase Select Refer to the SPI Clock Phase and Polarity Control section for details. 0: Data must be valid prior to first SCLK edge. 1: Data transition occurs after first SCLK edge.	

SPIMSSn Control Register			SPIMSSn_CTRL		[0x0004]
Bits	Name	Access	Reset	Description	
3	clkpol	R/W	0	Clock Polarity Sets the idle state for the SCK clock pin after a character transaction. 0: SCLK idles Low (0) after character transmission/reception. 1: SCLK idles High (1) after character transmission/reception.	
2	od_out_en	R/W	0	Wired OR (Open Drain) Enable Set to enable wired OR for the SPI signal pins (SPI1_SCK, SPI1_SS0, SPI1_MOSI, SPI1_MISO). 0: Wired OR configuration disabled. 1: Wired OR configuration enabled.	
1	mмен	R/W	0	SPI Master Mode Enable Set this field to enable Master Mode for SPI. 0: SPI set to slave mode operation 1: SPI set to master mode operation	
0	start	R/W	0	SPI Start Set this field to start operation of the SPIMSS port as configured. If the FIFOs contain data, the data is considered valid by the SPIMSS peripheral and is used. 0: Stop SPIMSS operation. 1: Start SPIMSS transaction as configured. <i>Note: This bit should be set to 1 only after the SPIMSS is configured for operation. Setting this bit to 0 does not reset or change any configuration of the SPIMSS peripheral and does not affect any data in the FIFOs.</i>	

Table 13-5: SPIMSS Interrupt Flag Register

SPIMSSn Interrupt Flag Register			SPIMSSn_INT_FL		[0x0008]
Bits	Name	Access	Reset	Description	
31:8	-	R/W	0	Reserved for Future Use Do not modify this field.	
7	irq	R/W1C	0	SPI Interrupt Request Flag This bit is set by hardware when an SPI interrupt request is pending. Write 1 to clear. 0 = No SPI interrupt request is pending 1 = An SPI interrupt request is pending <i>Note: This field cannot be cleared unless all interrupt flags in this register are cleared.</i>	
6	tovr	R/W1C	0	Transmit Overrun Flag This bit is set by hardware when a transmit FIFO overrun has occurred. Write 1 to clear. 0 = No SPI interrupt request is pending 1 = An SPI interrupt request is pending	
5	col	R/W1C	0	Collision Flag This bit is set by hardware when a multi-master collision (mode fault) occurs. Write 1 to clear. 0 = No multi-master collision has occurred 1 = A multi-master collision has occurred	
4	abt	R/W1C	0	Slave Mode Transaction Abort Flag This bit is set by hardware when a slave mode transaction abort occurs. Write 1 to clear. 0: No slave mode transaction abort has occurred 1: A slave mode transaction abort has occurred	

SPIMSSn Interrupt Flag Register				SPIMSSn_INT_FL	[0x0008]
Bits	Name	Access	Reset	Description	
3	rovr	R/W1C	0	Receive Overrun Flag This bit is set by hardware when a receive FIFO overrun occurs. Write 1 to clear. 0: No FIFO overrun has occurred 1: A FIFO overrun has occurred.	
2	tund	R/W1C	0	Transmit Underrun Flag This bit is set by hardware to indicate a transmit FIFO underrun has occurred. Write 1 to clear. 0: No FIFO underrun has occurred 1: A FIFO underrun has occurred	
1	txst	RO	0	Transmit Status This field reads 1 if a SPIMSS data transmission is currently in progress. 0: No data transmission currently in progress. 1: Data transmission currently in progress	
0	slas	R/W	0	Slave Select If the SPI is in slave mode, this bit indicates if the SPI is selected. If the SPI is in master mode, this bit has no meaning. 0 = Slave SPI is selected 1 = Slave SPI is not selected	

Table 13-6: SPIMSS Mode Register

SPIMSSn Mode Register				SPIMSSn_MODE	[0x000C]
Bits	Name	Access	Reset	Description	
31:8	-	R/W	0	Reserved for Future Use Do not modify this field.	
7	tx_lj	R/W	0	Transmit Data Alignment Selects left or right alignment when data is loaded into the <i>SPIMSSn_DATA.data</i> field for transmission if the character size is less than 16-bits. 0: Data is LSB aligned with the unused bits set to 0 up to the MSB (right aligned) 1: Data is MSB aligned with the unused bits set to 0 down to the LSB (left aligned)	
6	-	R/W	0	Reserved for Future Use Do not modify this field.	
5:2	numbits	R/W	0	Number of Data Bits per Character to Transfer This field contains the number of bits to shift for each character transfer. Refer to the data movement chapter for information on valid bit positions when the character length is less than 16-bits. 0b0000: 16-bits 0b0001: 1-bits 0b0010: 2-bits ... 0b1110: 14-bits 0b1111: 15-bits <i>Note: Setting this field to 0 (default) sets the number of bits per character to 16.</i>	

SPIMSSn Mode Register				SPIMSSn_MODE	[0x000C]
Bits	Name	Access	Reset	Description	
1	ss_io	R/W	0	Slave Select Input/Output Mode Setting this field to 1 sets the slave select pin, SPI1_SSO, as an output. Clearing this field sets the slave select pin, SPI1_SSO, to an input. 0 = The SPI1_SSO pin is configured as an input. 1 = The SPI1_SSO pin is configured as an output <i>Note: This field is only used if the SPIMSSn is in SPI Master mode (SPIMSSn_CTRL.mode = 1).</i>	
0	ssv	R/W	0	Slave Select Value This indicates the value of the SPI1_SSO (I2S_LRCLK) pin if the SPIMSS slave select pin is configured as an output (SPIMSSn_MODE.ss_io = 1), writing this field drives the pin to the value written. If the slave select pin is set to an input (SPIMSSn_MODE.ss_io = 0), reading this field returns the level of the slave select pin.	

Table 13-7: SPIMSS Bit Rate Generator Register

SPIMSSn Bit Rate Generator Register				SPIMSSn_BRG	[0x0014]
Bits	Name	Access	Reset	Description	
31:16	-	R/W	0	Reserved for Future Use Do not modify this field.	
15:0	div	R/W	0	Bit Rate Reload Value The SPI Bit Rate register is a 16-bit reload value for the SPI Bit Rate Generator. The reload value must be greater than or equal to 0x2 for proper SPI operation (maximum bit rate = $f_{PCLK}/4$). Refer to Equation 13-1 for calculation.	

Table 13-8: SPIMSS DMA Register

SPIMSSn DMA Register				SPIMSSn_DMA	[0x0018]
Bits	Name	Access	Reset	Description	
31	rx_dma_en	R/W	0	Receive DMA Enable Disabling clears any active request to the DMA controller. 0: Disable RX DMA requests 1: Enable RX DMA requests	
30:28	-	R/W	0	Reserved for Future Use Do not modify this field.	
27:24	rx_fifo_cnt	R/W	0	Receive FIFO Count 0b0000: RX FIFO empty (0 entries) 0b0001: RX FIFO contains 1 entry 0b0010: RX FIFO contains 2 entries 0b0011: RX FIFO contains 3 entries ... 0b1000: RX FIFO contains 15 entries	
23:21	-	R/W	0	Reserved for Future Use Do not modify this field.	
20	rx_fifo_clr	R/W	0	Receive FIFO Clear Write 1 to reset the Receive FIFO. Writing 0 has no effect. 0: Ignored 1: Reset Receive FIFO	

SPIMSSn DMA Register				SPIMSSn_DMA	[0x0018]
Bits	Name	Access	Reset	Description	
19	-	R/W	0	Reserved for Future Use Do not modify this field.	
18:16	rx_fifo_lvl	R/W	0	Receive FIFO Level Sets the RX FIFO DMA request threshold. This configures the number of filled RX FIFO entries before activating an RX DMA request. 000: Request Receive DMA when RX FIFO contains 1 entry 001: Request Receive DMA when RX FIFO contains 2 entries 010: Request Receive DMA when RX FIFO contains 3 entries ... 111: Request Receive DMA when RX FIFO contains 8 entries	
15	tx_dma_en	R/W	0	Transmit DMA Enable Disabling clears any active request to the DMA controller. 0: Disable TX DMA requests 1: Enable TX DMA requests	
14:12	-	R/W	0	Reserved for Future Use Do not modify this field.	
11:8	tx_fifo_cnt	R/W	0	Transmit FIFO Count 0b0000: TX FIFO empty (0 entries) 0b0001: TX FIFO contains 1 entry 0b0010: TX FIFO contains 2 entries 0b0011: TX FIFO contains 3 entries ... 0b1000: TX FIFO contains 15 entries	
7:5	-	R/W	0	Reserved for Future Use Do not modify this field.	
4	tx_fifo_clr	R/W	0	Transmit FIFO Clear Write 1 to reset the Receive FIFO. Writing 0 has no effect. 0: Ignored 1: Reset Receive FIFO	
3	-	R/W	0	Reserved for Future Use Do not modify this field.	
2:0	tx_fifo_lvl	R/W	0	Transmit FIFO Level Sets the TX FIFO DMA request threshold. This configures the number of empty TX FIFO entries before activating a Transmit DMA request. 0b000: Request Transmit DMA when TX FIFO has 1 free entry. 0b001: Request Transmit DMA when TX FIFO has 2 free entries 0b010: Request Transmit DMA when TX FIFO has 3 free entries ... 0b111: Request Transmit DMA when TX FIFO has 8 free entries	

Table 13-9: SPIMSS I2S Control Register

SPIMSSn I2S Control Register				SPIMSSn_I2S_CTRL	[0x001C]
Bits	Name	Access	Reset	Description	
31:5	-	R/W	0	Reserved for Future Use Do not modify this field.	
4	i2s_lj	R/W	0	I2S Left Justify 0: Normal I2S audio protocol - audio data lags left/right channel signal by one SCLK period. 1: Audio data is synchronized with SSEL (left/right channel signal).	

SPIMSSn I2S Control Register			SPIMSSn_I2S_CTRL		[0x001C]
Bits	Name	Access	Reset	Description	
3	i2s_mono	R/W	0	I2S Monophonic Audio Mode Set this field to enable monophonic audio mode. In this mode, each transmit data word is replicated on both left and right channels. Receive data is taken from left channel, right channel receive data is ignored. 0 - Stereophonic audio. 1 - Monophonic audio format	
2	i2s_pause	R/W	0	I2S Pause Transmit/Receive 0: Normal transmission/reception. 1: Halt transmit and receive FIFO and DMA accesses, transmit 0.	
1	i2s_mute	R/W	0	I2S Mute Transmit 0: Normal transmit. 1: Transmit data is replaced with 0	
0	i2s_en	R/W	0	I2S Mode Enable Set to enable I2S mode. 0: I2S mode is disabled. 1: I2S mode enabled.	

14 Revision History

REVISION NUMBER	REVISION DATE	DESCRIPTION
0.1	3/21/2018	Fixed GCR_MEM_CTRL register. Updated DMA chapter and Register Names. Added this Revision History table.
0.2	4/9/2018	<ul style="list-style-type: none"> • Updated Operating Modes section to clarify wakeup sources and behavior. • Removed reference to 7.3728MHz oscillator as system clock source and removed all references to it from user guide. • Updated System Clock Select field to remove unavailable clock sources. • Updated Watchdog Timer chapter with links for WDT registers. • Specified SPI can only wakeup the part from SLEEP mode via the SPI Wakeup events. • Updating 96MHz Oscillator references to be generic High-Frequency Internal Oscillator to allow OVR determination of the HIRC frequency. • Updated OVR information to indicate changes to HIRC frequency based on OVR settings (Pending). • Changed GCR_PMR register to GCR_PM register. • Updated SPIMSS chapter to add corrected fields and register names throughout. • Updated I2C chapter for clarity and updating to correct registers and field names.
0.3	4/11/2018	<ul style="list-style-type: none"> • Core OVR section includes steps to change OVR including requirements for the Flash Wait States. Added Flash Wait State table and OVR table. • Updated GCR_CLK_CTRL.sysclk field to match hardware. • Updated the GCR_CLK_CTRL clock enable and ready fields to match hardware and to accurately describe their states.
0.4	4/20/2018	<ul style="list-style-type: none"> • Added Timer chapter back in. • Additional instructions on OVR and Flash Wait States. • I2C updates. • SPI0 updates.

©2017-2018 by Maxim Integrated Products, Inc. All rights reserved. Information in this publication concerning the devices, applications, or technology described is intended to suggest possible uses and may be superseded. MAXIM INTEGRATED PRODUCTS, INC. DOES NOT ASSUME LIABILITY FOR OR PROVIDE A REPRESENTATION OF ACCURACY OF THE INFORMATION, DEVICES, OR TECHNOLOGY DESCRIBED IN THIS DOCUMENT. MAXIM ALSO DOES NOT ASSUME LIABILITY FOR INTELLECTUAL PROPERTY INFRINGEMENT RELATED IN ANY MANNER TO USE OF INFORMATION, DEVICES, OR TECHNOLOGY DESCRIBED HEREIN OR OTHERWISE. The information contained within this document has been verified according to the general principles of electrical and mechanical engineering or registered trademarks of Maxim Integrated Products, Inc. All other product or service names are the property of their respective owners.